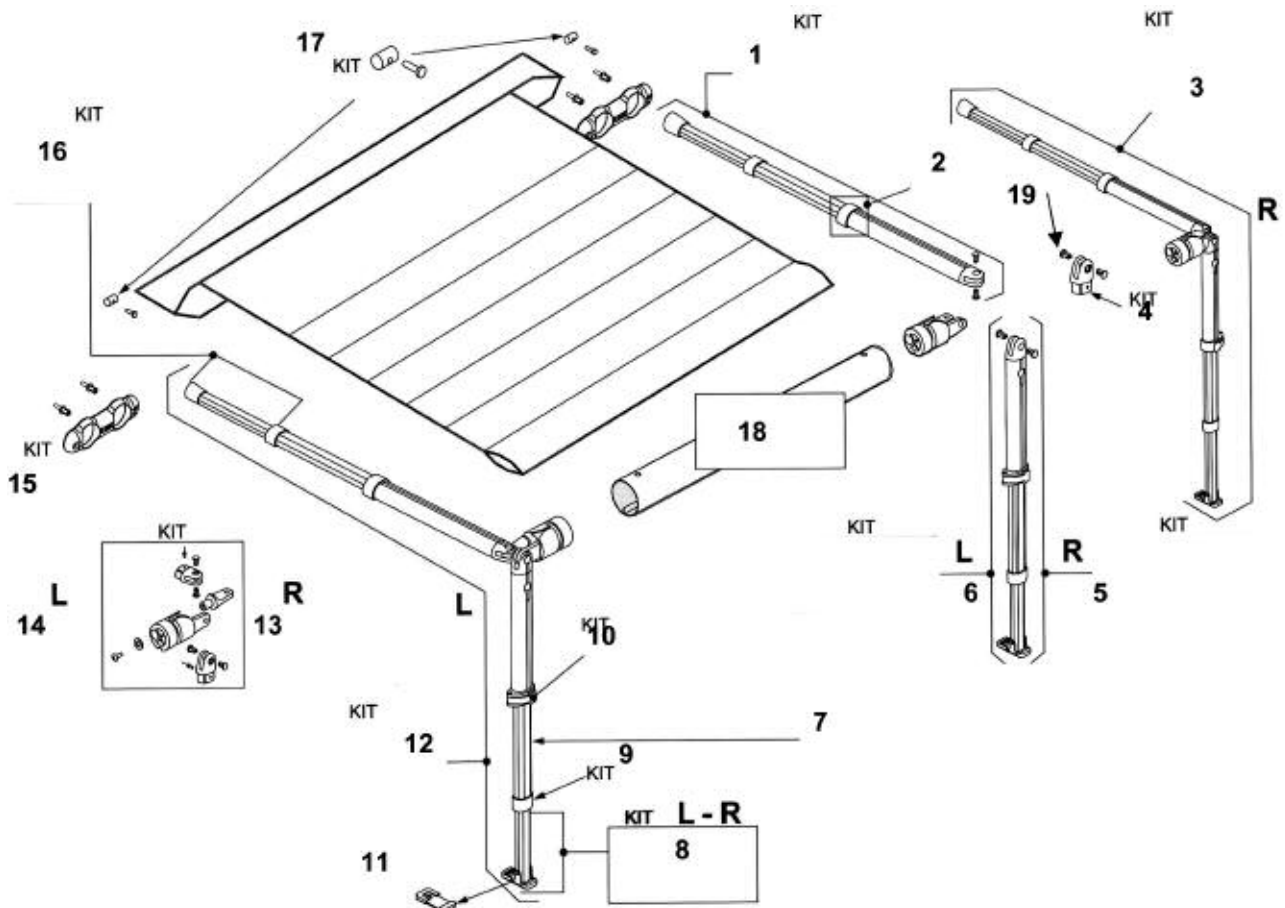


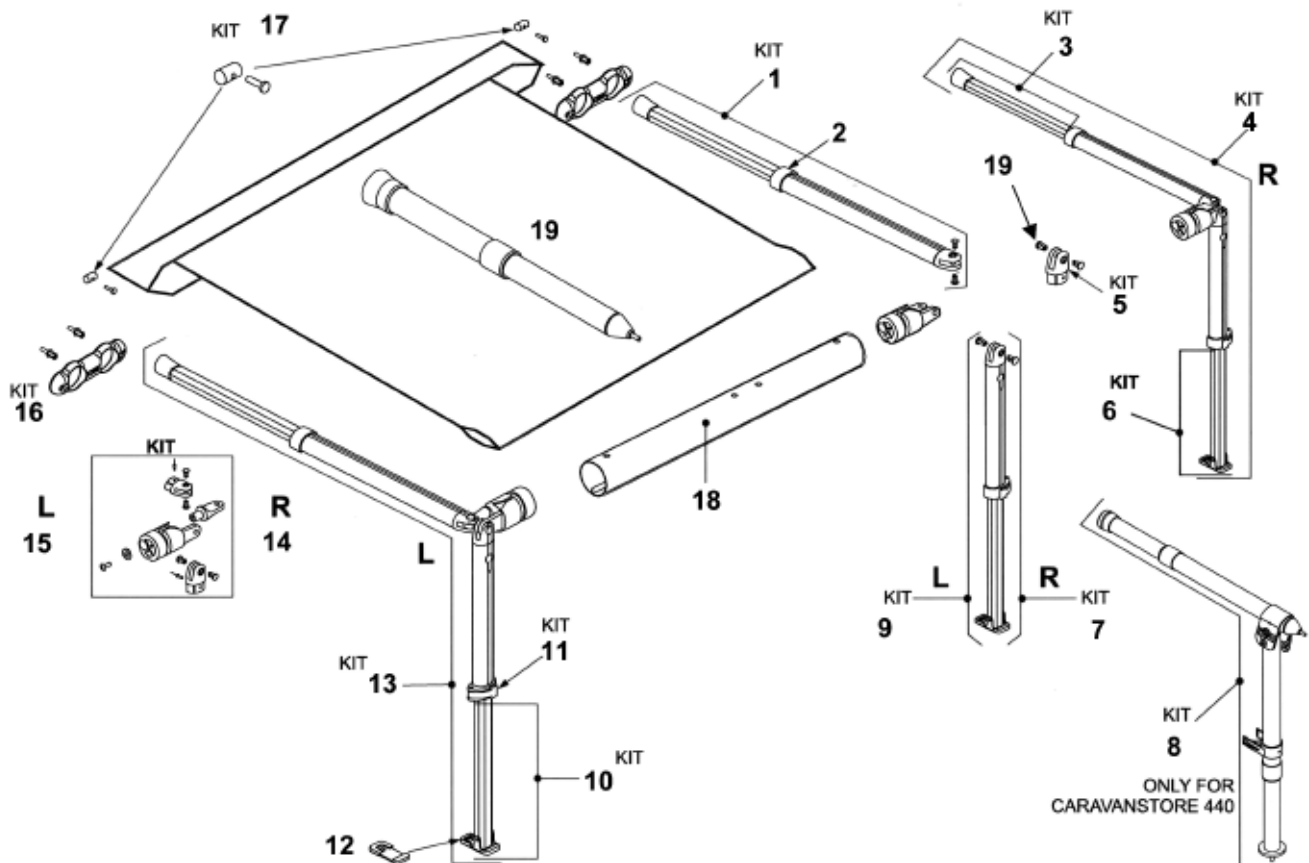
CARAVANSTORE 190 - 225 - 255

REF	DESCRIPTION	FIAMMA PT NO	GROVE PT NO
3	R/H LEG ASSY 2.55MTR 04	98655-171	108166
10	LEG CLAMP KIT	98655-171	108176
11	RUBBER FOOT	03458-01	108227
12	L/H LEG ASSY 2.25 04	04859A01	108160
13	R/H KNUCKLE ASSY 04	05163-01A	108142
	R/H KNUCKLE ASSY 05/06	05263-01A	108146
14	L/H KNUCKLE ASSY 04	05163-01	108140
	L/H KNUCKLE ASSY 05/06	05263-01	108144
17	END STOP KIT	98655-186	108222
19	PLASTIC LEG PINS	92540-015	108224
OTHER CARAVANSTORE PARTS			
	SIDE RAFTER RUBBER END CAP 16MM	97733-035	108184
	SIDE RAFTER RUBBER END CAP 20MM	97733-038	108186
	ROPE KIT INC PEGS & GRIPS	98655-150	108223



CARAVANSTORE 280 - 310 - 360 - 400 - 440

REF	DESCRIPTION	FIAMMA PT NO	GROVE PT NO
1	SIDE RAFTER 2.8 - 4.4MTR PRE 04	03567A01	108182
	SIDE RAFTER 2.8 - 4.4MTR 04	03567C03	108180
	SIDE RAFTER 3.1 - 4.4MTR 05/06	03567D05	108181
4	R/H LEG ASSY 2.8 - 4.4MTR 04	04859C01A	108164
	R/H LEG ASSY 2.8 - 4.4MTR 05/06	05220D01A	108168
11	LEG CLAMP KIT	98655-171	108176
12	RUBBER FOOT	03458-01	108227
13	L/H LEG ASSY 2.8 - 4.4MTR 04	04859C01	108162
	L/H LEG ASSY 2.8 - 4.4MTR 05/06	05220D01	108172
14	R/H KNUCKLE ASSY 04	05163-01A	108142
	R/H KNUCKLE ASSY 05/06	05263-01A	108146
15	L/H KNUCKLE ASSY 04	05163-01	108140
	R/H KNUCKLE ASSY 05/06	05263-01	108144
17	END STOP KIT	98655-186	108222
19	PLASTIC LEG PINS	92540-015	108224
OTHER CARAVANSTORE PARTS			
	SIDE RAFTER RUBBER END CAP 16MM	97733-035	108184
	SIDE RAFTER RUBBER END CAP 20MM	97733-038	108186
	ROPE KIT INC PEGS & GRIPS	98655-150	108223



Other Fiamma Spares Not Shown

DESCRIPTION	FIAMMA PT NO	GROVE PT NO
CAP FOR FIAMMA ROLLTANK 23	00781A01B	050056
DISCHARGE CAP FOR 23L ROLLTANK	93341-050	050057
PRESSURE SWITCH KIT AQUA8	01203B02	053028
SPARE DOME SMOKED	00533B01C	102031
SPARE DOME CRYSTAL FOR 160	04598-01A	102031C
SPARE DOME WHITE FOR 160	04598-01	102031W
SPARE DOME VENT 28 CRYSTAL	04922-01A	102033C
SPARE DOME VENT 28 WHITE	04922-01	102033W
HANDLE EXTENSION 70MM	98683-066	102034
HANDLE EXTENSION FOR TURBO VENT	98683-034	102035
BIKE RAIL END CAP RED	04574-01	106377
SCREW LEG CLAMP F45	98655-452	108174