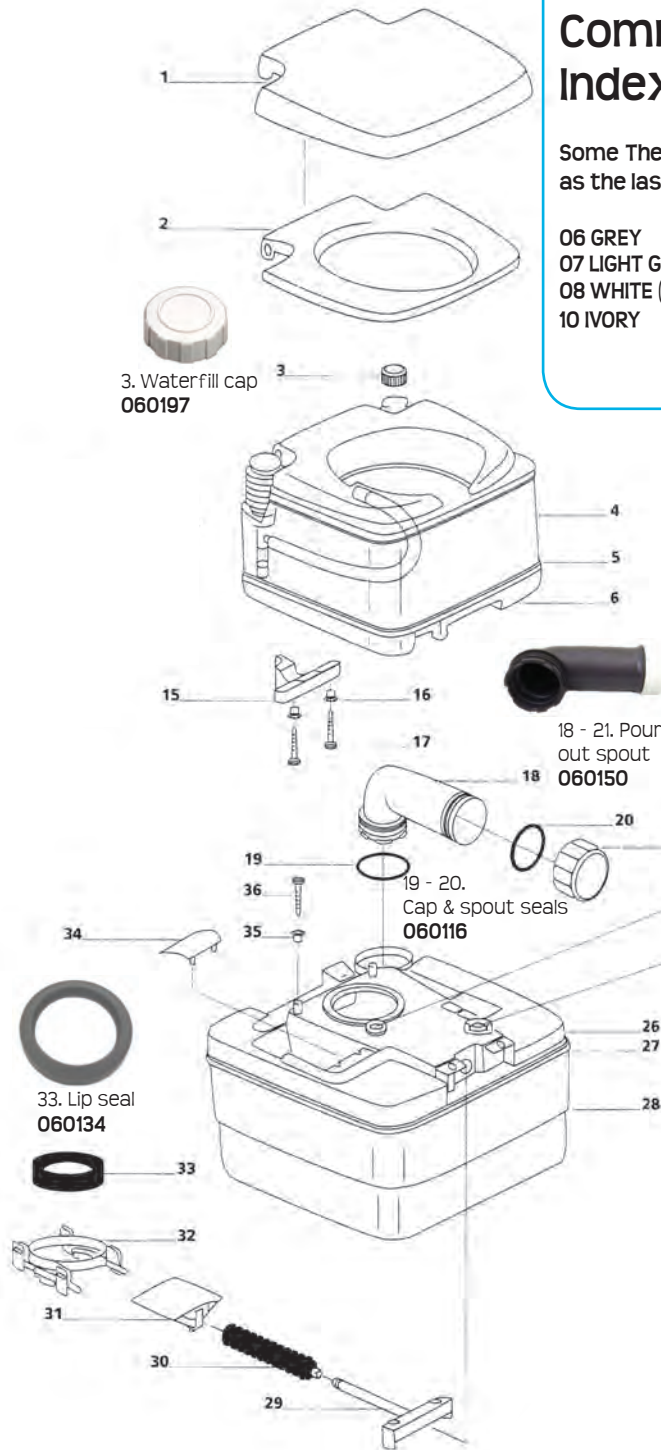


# Porta Potti 146/165

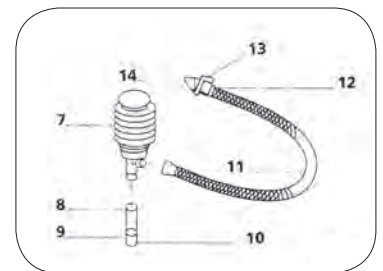


## Common colours Index



Some Thetford spare part no.s contain a colour code. These are shown as the last 2 digits following a hyphen.

- |                   |                |                      |
|-------------------|----------------|----------------------|
| 06 GREY           | 16 GREEN       | 62 WHITE (RAL9003)   |
| 07 LIGHT GREY     | 44 BEIGE       | 78 YELLOW            |
| 08 WHITE (MP1013) | 45 BROWN       | 80 WHITE (BASF31573) |
| 10 IVORY          | 57 CREAM WHITE | 89 GRANITE           |



| No.     | Spare part                 | Single part            | Assembly                       |
|---------|----------------------------|------------------------|--------------------------------|
| 1 - 2   | Seat cover & lid           |                        | 07331                          |
| 3       | Water fill cap white       | 12901<br><b>060197</b> |                                |
| 7       | Belows white               | 07862<br><b>060123</b> |                                |
| 8 - 10  | Inlet tube and check valve |                        | 07024<br><b>060143</b>         |
| 11 - 14 | Flush tube assembly        |                        | 07031                          |
| 18      | Pour out spout             |                        | Grey<br>07492<br><b>060150</b> |
| 19      | O ring (+20)               | 16195<br><b>060116</b> |                                |
| 20      | Cap seal                   |                        |                                |
| 21      | Dump cap (+20)             | 07493<br><b>060167</b> |                                |
| 22      | Vent seal                  | 07102<br><b>060142</b> |                                |
| 23 - 25 | Vent button yellow         |                        | 07524<br><b>060153</b>         |
| 33      | Lip seal                   | 07101<br><b>060134</b> |                                |

Available spare parts are shown in the tables. Items without a **Grove number** can be ordered as specials. Other items on the diagram but not listed in the table are "production only" parts and are not available.

# Section 7

Thetford spares

## Porta Potti 235/245/265/335/345/365

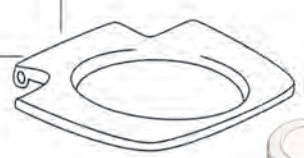
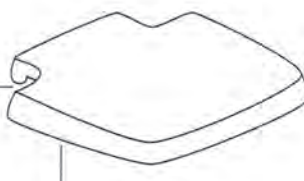
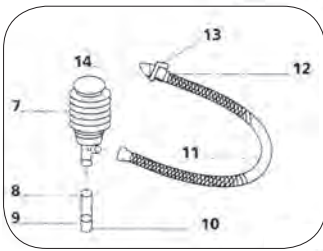


Piston pump upgrade kit  
PP335 **057203**  
PP345/365 **057204**



7. Bellows white  
**060123**

8 - 9. Inlet tube  
**060143**



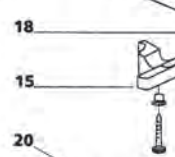
3. Waterfill cap  
**060197**



22. Dump cap  
**060167**



19 - 22. Pour out spout  
**060150**



23. Vent seal  
**060142**



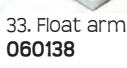
24 - 26. Vent button assembly  
**060153**



38. Lip seal  
**060134**



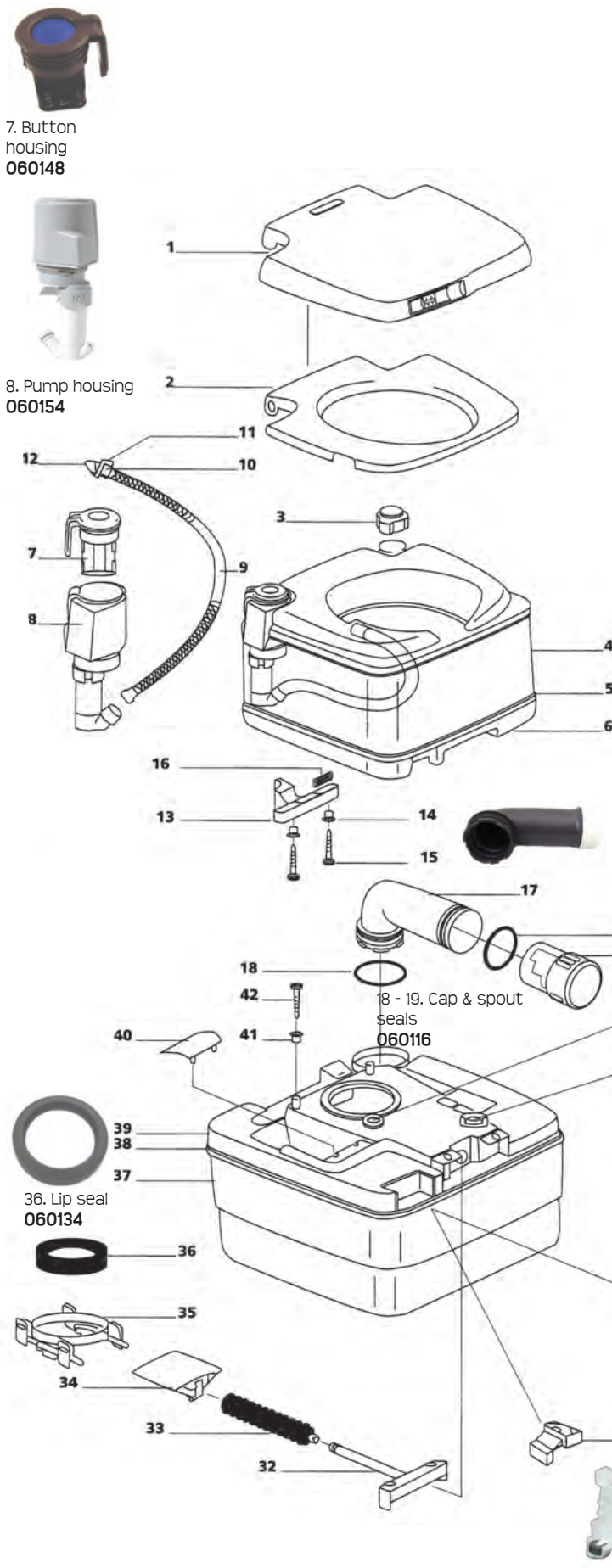
20 - 21. Cap & spout seals  
**060116**



33. Float arm  
**060138**

| No.     | Spare part                 | Single part                                      | Assembly  |
|---------|----------------------------|--|---|
| 1 - 2   | Seat cover & lid           |  | PP235/335 07220<br>PP245/265 07317<br>PP345/365 07331 |
| 3       | Water fill cap             | PP235/245/265 25804<br>PP335/345/365 White 12901 | <b>060197</b>   |
| 7       | Bellows white              | PP235/335 07031<br>PP245/265/345/365 White 07862 | <b>060123</b>   |
| 7A      | Piston pump                | PP335 25817<br>PP345/365 25818                   | <b>057203</b><br><b>057204</b>                        |
| 8 - 10  | Inlet tube and check valve |  | 07024<br><b>060143</b><br>Except PP235/335 07016      |
| 11 - 14 | Flush tube assembly        |  | 07031   |
| 19      | Pour out spout             |  | Grey 07492<br><b>060150</b>                           |
| 20      | O ring (+21)               | 16195  |   |
| 21      | Cap seal                   |  |   |
| 22      | Dump cap (+21)             | 07493  |   |
| 23      | Vent seal                  | 07102  | <b>060142</b>   |
| 24 - 26 | Vent button yellow         |  | 07524<br><b>060153</b>                                |
| 33      | Float arm                  | 21322  | <b>060138</b>   |
| 38      | Lip seal                   | 07101  | <b>060134</b>   |

# Porta Potti 465



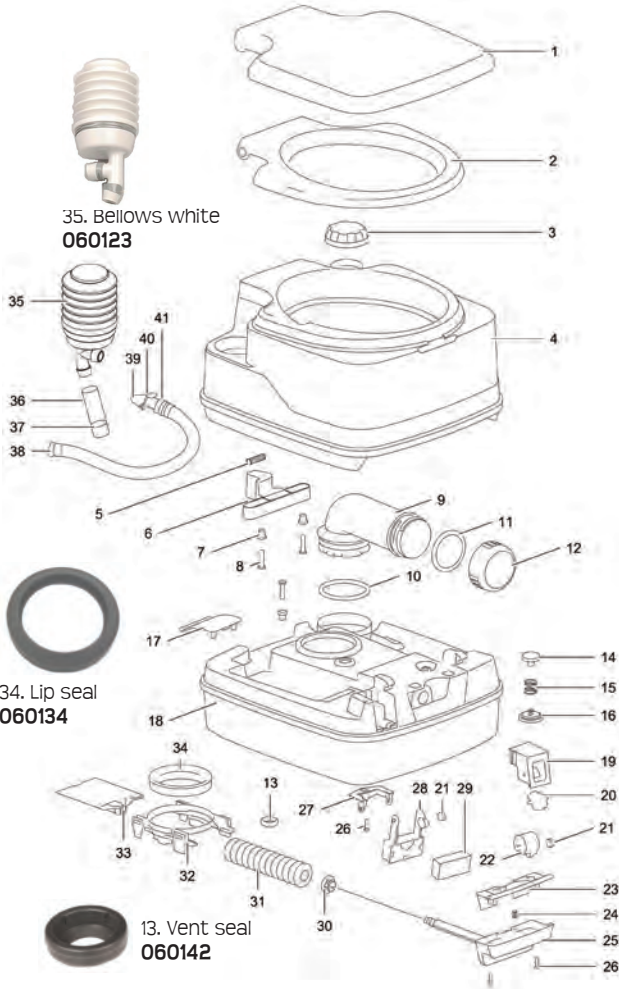
| No.     | Spare part          | Single part  | Assembly  |
|---------|---------------------|--|---|
| 1 - 2   | Seat cover & lid    |  | 07317   |
| 3       | Water fill cap      | 25804  |   |
| 7       | Button housing      | 25806<br><b>060148</b>                               |   |
| 8       | Pump housing        | 25807<br><b>060154</b>                               |   |
| 9 - 12  | Flush tube assembly |  | 25808   |
| 17      | Pour out spout      |  | 25809<br>Can use<br><b>060150</b><br>(no measuring cap) |
| 18      | O ring (+19)        | 16195<br><b>060116</b>                               |   |
| 19      | Cap seal            |  |   |
| 20      | Measuring cap (+19) | 25810<br>Yellow <b>057200</b><br>White <b>057201</b> |   |
| 21      | Vent seal           | 07102<br><b>060142</b>                               |   |
| 22 - 24 | Vent button yellow  |  | 07524<br><b>060153</b>                                  |
| 33      | Float arm           | 21322<br><b>060138</b>                               |   |
| 38      | Lip seal            | 07101<br><b>060134</b>                               |   |



# Section 7

Theftford spares

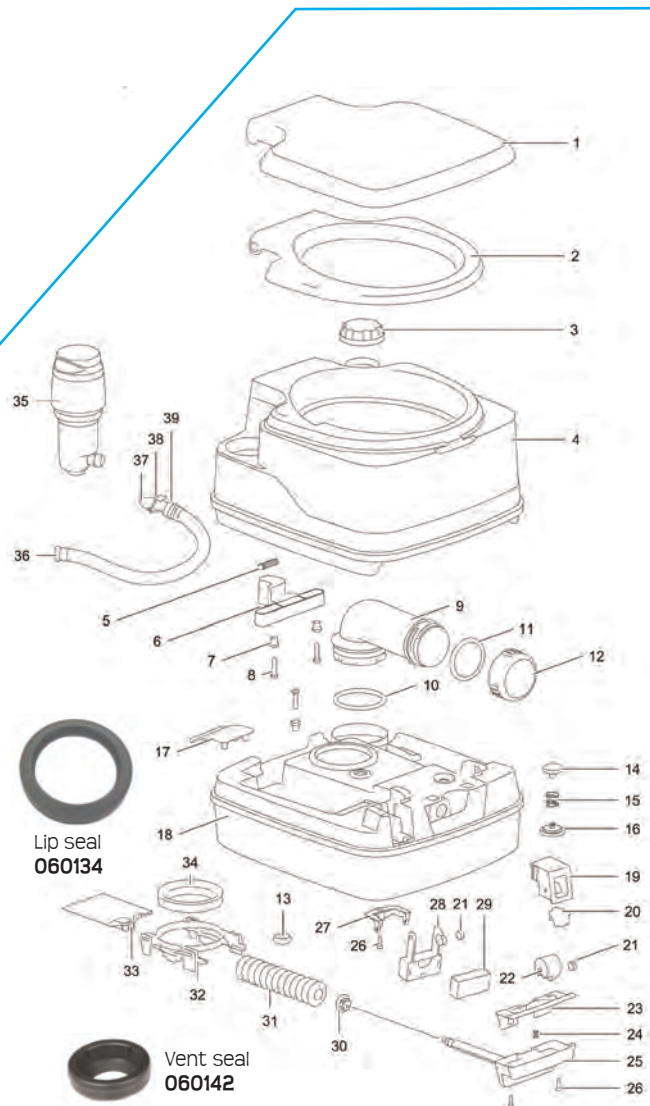
## Porta Potti Qube 145/165



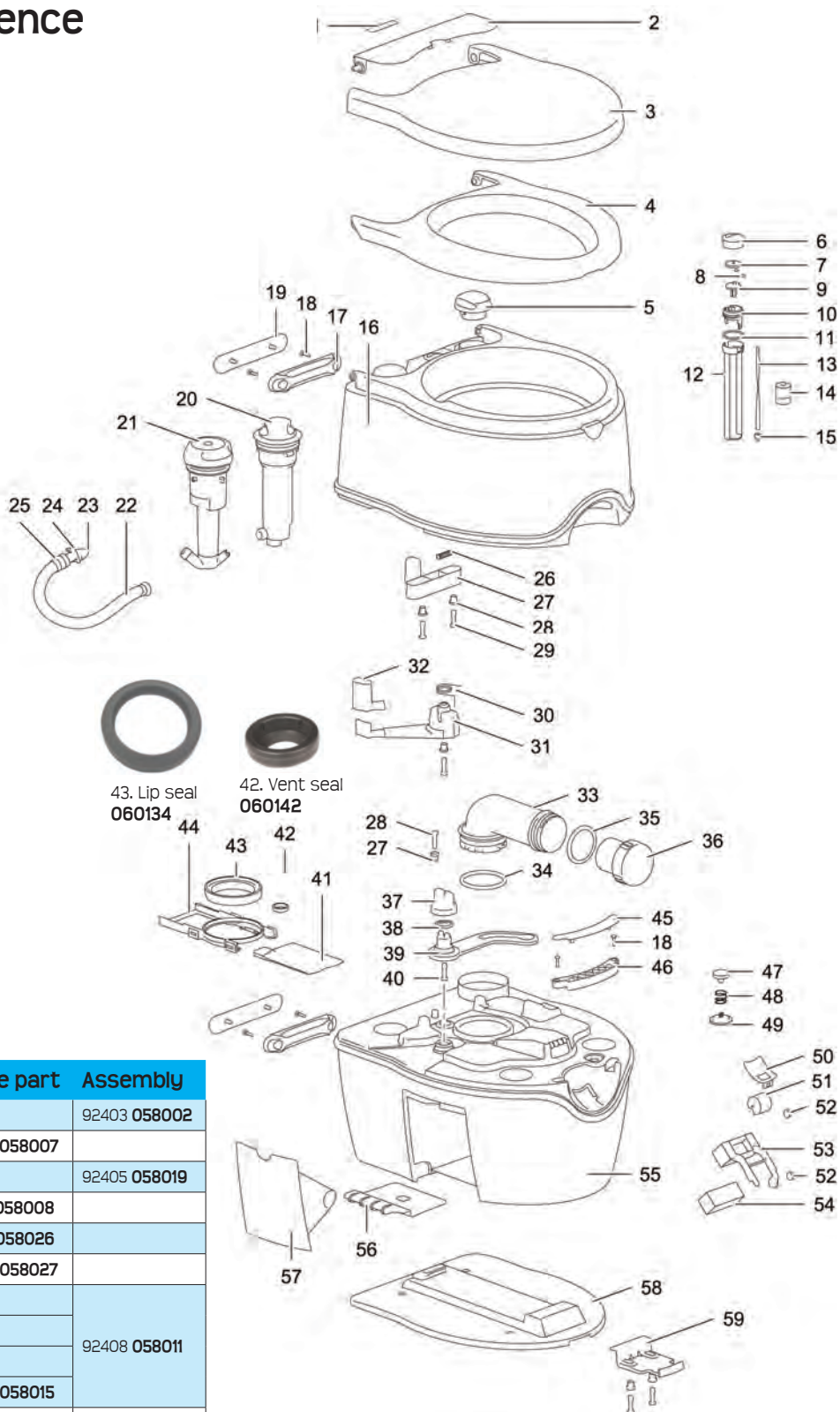
| No.     | Spare part           | Single part            | Assembly               |
|---------|----------------------|------------------------|------------------------|
| 1 - 2   | Seat cover & lid     |                        | 92903<br><b>058000</b> |
| 3       | Water fill cap white | 92905<br><b>058006</b> |                        |
| 9       | Pour out spout       |                        | 92907<br><b>058010</b> |
| 10      | O ring               |                        |                        |
| 11      | Cap seal             |                        |                        |
| 12      | Dump cap (+1)        | 92906<br><b>058014</b> |                        |
| 13      | Vent seal            | 07102<br><b>060142</b> |                        |
| 14 - 16 | Vent button          | 92407<br><b>058017</b> |                        |
| 19 - 22 | Level indicator dial | 92908<br><b>058021</b> |                        |
| 34      | Lipseal              | 07101<br><b>060134</b> |                        |
| 35      | Bellows white        | 07862<br><b>060123</b> |                        |

## Porta Potti Qube 335/345/365

| No.     | Spare part           | Single part  | Assembly  |
|---------|----------------------|--|---|
| 1 - 2   | Seat cover & lid     |  | 335 92904 <b>058001</b><br>345/365<br>92903 <b>058000</b> |
| 3       | Water fill cap white | 92905<br><b>058006</b>                                 |   |
| 9       | Pour out spout       |  | 92907<br><b>058010</b>                                    |
| 10      | O ring               |  |   |
| 11      | Cap seal             |  |   |
| 12      | Dump cap (+1)        | 92906<br><b>058014</b>                                 |   |
| 13      | Vent seal            | 07102<br><b>060142</b>                                 |   |
| 14 - 16 | Vent button          | 92407<br><b>058017</b>                                 |   |
| 19 - 22 | Level indicator dial | 335 92909 <b>058020</b><br>345/365 92908 <b>058021</b> |   |
| 34      | Lipseal              | 07101<br><b>060134</b>                                 |   |
| 35      | Piston pump          | 335 92902 <b>058024</b><br>345/365 92901 <b>058025</b> |   |



# Porta Potti Excellence



| No.     | Spare part           | Single part            | Assembly            |
|---------|----------------------|------------------------|---------------------|
| 1 - 4   | Seat cover & lid     |                        | 92403 <b>058002</b> |
| 5       | Water fill cap white | 92404 <b>058007</b>    |                     |
| 6 - 15  | Level indicator      |                        | 92405 <b>058019</b> |
|         | Water fill adaptor   | 92414 <b>058008</b>    |                     |
| 20      | Piston pump          | 92401 <b>058026</b>    |                     |
| 21      | Electric pump        | 92402 <b>058027</b>    |                     |
| 33      | Pour out spout       |                        | 92408 <b>058011</b> |
| 34      | O ring               |                        |                     |
| 35      | Cap seal             |                        |                     |
| 36      | Dump cap (+35)       | 92406 <b>058015</b>    |                     |
| 42      | Vent seal            | 07102<br><b>060142</b> |                     |
| 43      | Lipseal              | 07101<br><b>060134</b> |                     |
| 47 - 49 | Vent button ass'y    | 92407 <b>058017</b>    |                     |
| 50 - 52 | Level indicator dial | 92410 <b>058022</b>    |                     |
| 52 - 54 | Float assembly       | 92409 <b>058030</b>    |                     |
| 58 - 59 | Floor plate          | 92415 <b>056983</b>    |                     |

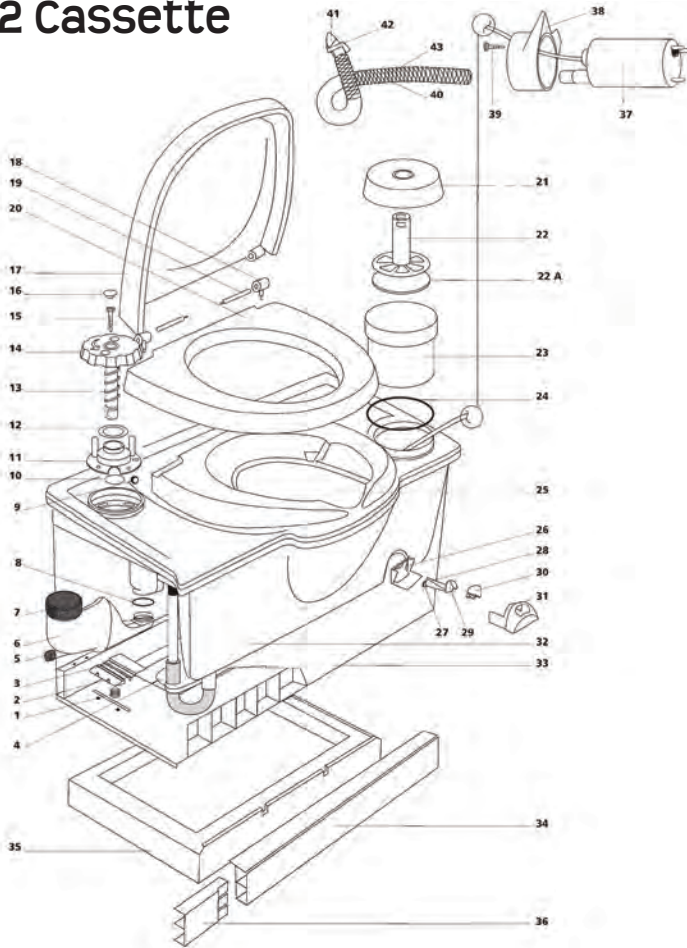


58 - 59. Floor plate  
**056983**

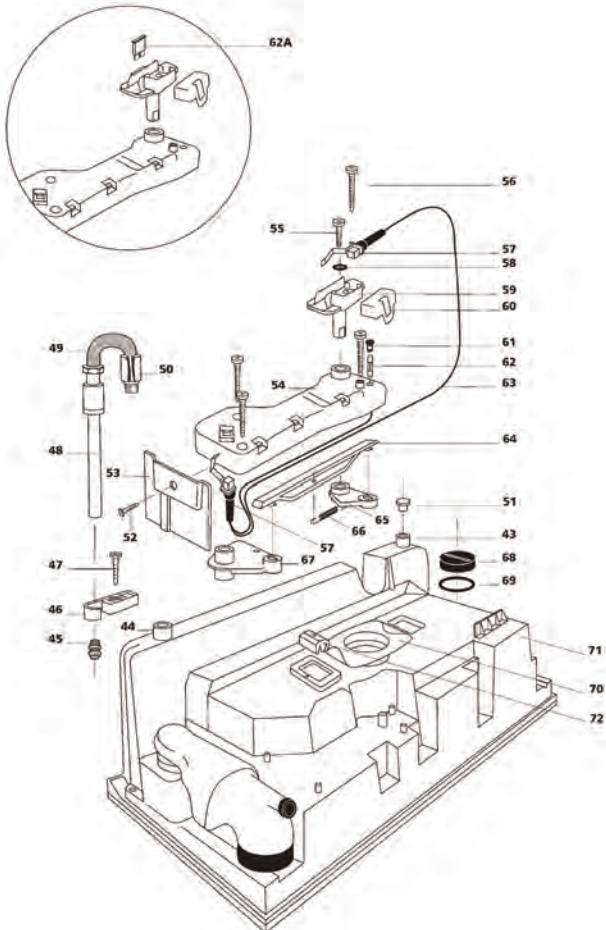
# Section 7

Theftford spares

## C2 Cassette



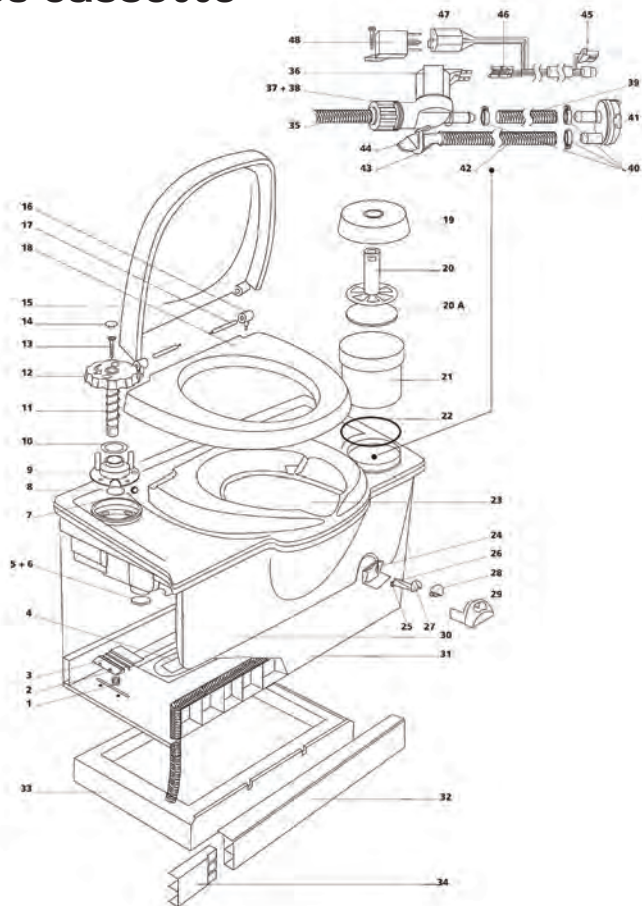
| No.       | Spare part                 | Single part            | Assembly               |
|-----------|----------------------------|------------------------|------------------------|
| 1         | Spring, clip retainer      | 16169                  | 16350<br><b>060193</b> |
| 2         | Clip retainer              |                        |                        |
| 3         | Clip                       |                        |                        |
| 4         | Drip tray                  | 16166                  |                        |
| 5         | Draincap Water fill funnel | 16385<br><b>060136</b> | 16381<br><b>060122</b> |
| 6         | Water fill funnel          |                        |                        |
| 7         | Cap water fill funnel      | 16848<br><b>060158</b> |                        |
| 8         | O-ring                     |                        |                        |
| 12- 16    | Flush knob assembly        |                        | 16377<br><b>060121</b> |
| 18 -19    | Hinge post and pins        |                        | 16183<br><b>060155</b> |
| 17 -20    | Seat, lid & hinges         |                        | 16194<br><b>060130</b> |
| 21-22A    | Tissue holder              |                        | 16184                  |
| 26 - 31   | Level indicator dial       |                        | 16171<br><b>060147</b> |
| 36        | Extension front panel      | 16266                  |                        |
| 37        | Pump                       | 16374<br><b>060118</b> |                        |
| 40 - 43   | Flush tube                 |                        | 16378                  |
| Not shown | Pump connector             |                        | 21050                  |



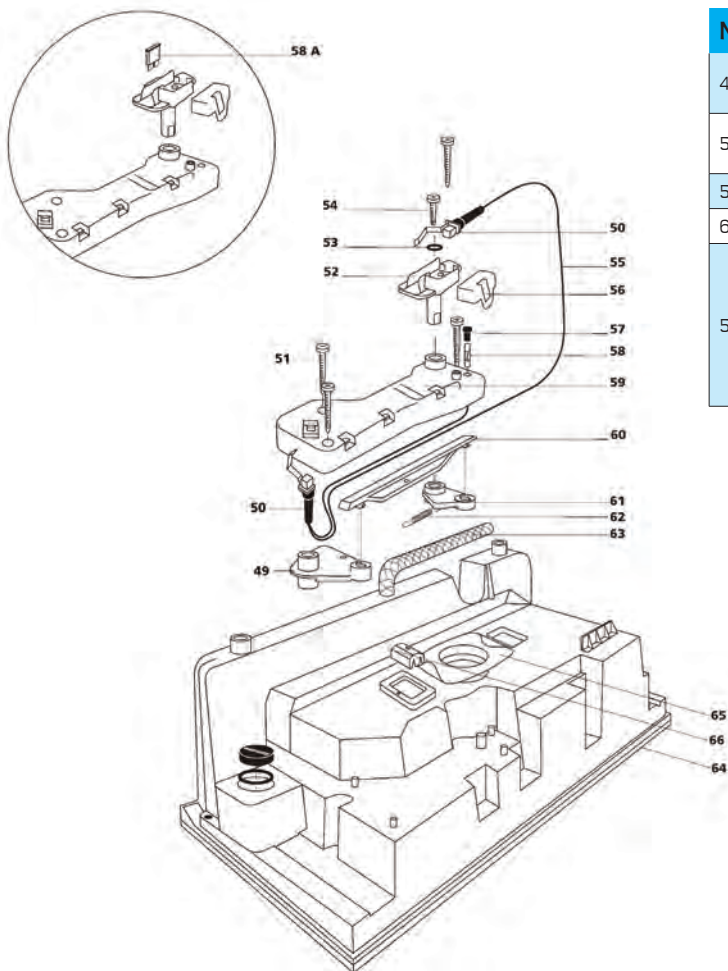
| No.     | Spare part          | Single part  | Assembly  |
|---------|---------------------|--|---|
| 48 - 51 | Drain tube assembly |  | Left hand<br>21370<br><b>060157</b><br>Right hand<br>21371<br><b>060117</b> |
| 54 - 67 | Mechanism           |  | 16379<br><b>060114</b>  |
| 57      | Switch              | 20107<br><b>060119</b>   |   |
| 60      | Switch cover        | 16390  |   |
| 62      | Fuse 3 Amp          | To June 1994<br>16391<br><b>060132</b><br>After June<br>1994<br>21766<br><b>060156</b> |   |
| 63      | Cable               | 16389  |   |



### C3 Cassette

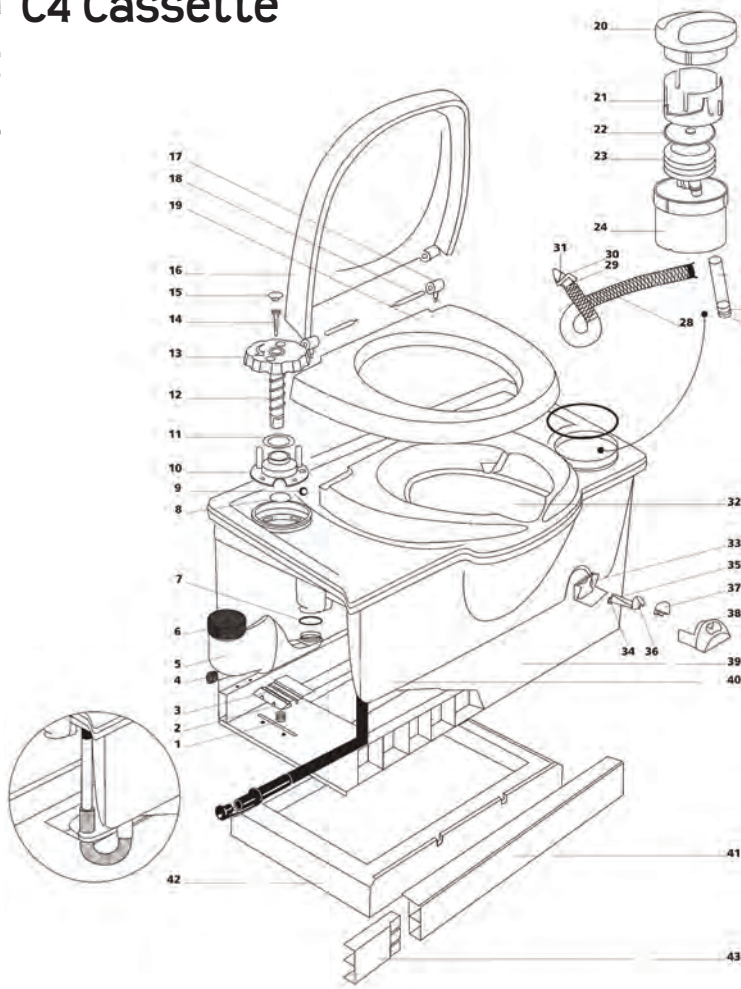


| No.     | Spare part                   | Single part            | Assembly               |
|---------|------------------------------|------------------------|------------------------|
| 1       | Spring, clip retainer        | 16169                  | 16350<br><b>060193</b> |
| 2       | Clip retainer                |                        |                        |
| 3       | Clip                         |                        |                        |
| 4       | Drip tray                    | 16166                  |                        |
| 10- 14  | Flush knob assembly<br>White |                        | 16377<br><b>060121</b> |
| 16 -17  | Hinge post and pins          |                        | 16183<br><b>060155</b> |
| 15 -18  | Seat, lid & hinges<br>White  |                        | 16194<br><b>060130</b> |
| 19-20A  | Tissue holder                |                        | 16184                  |
| 24 - 29 | Level indicator dial         |                        | 16171<br><b>060147</b> |
| 36 - 38 | Electric valve               |                        | 20104                  |
| 41      | Vacuum breaker               | 16833<br><b>060178</b> |                        |
| 42 - 44 | Flush tube                   |                        | 20103                  |
| 48      | Relay                        | 20106                  |                        |

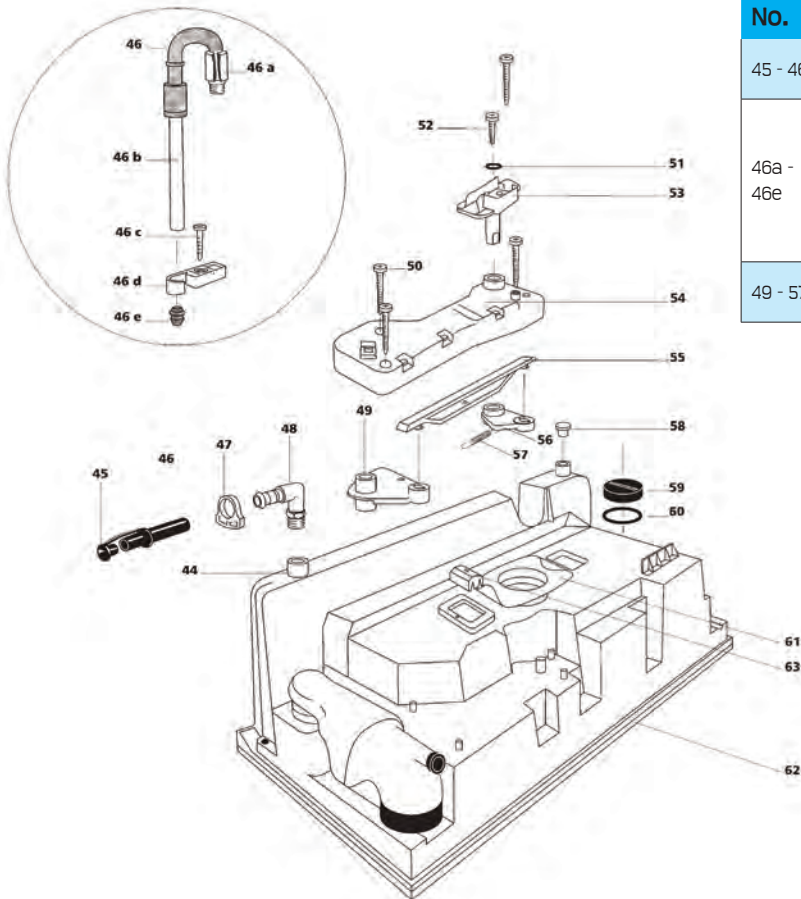


| No.     | Spare part   | Single part   | Assembly               |
|---------|--------------|---|------------------------|
| 49 - 62 | Mechanism    |   | 16379<br><b>060114</b> |
| 50      | Switch       | 20107<br><b>060119</b>  |                        |
| 55      | Cable        | 16389   |                        |
| 60      | Switch cover | 16390   |                        |
| 58      | Fuse 3 Amp   | To June 1994<br>16391<br><b>060132</b><br>After June 1994<br>21766<br><b>060156</b> |                        |

## C4 Cassette

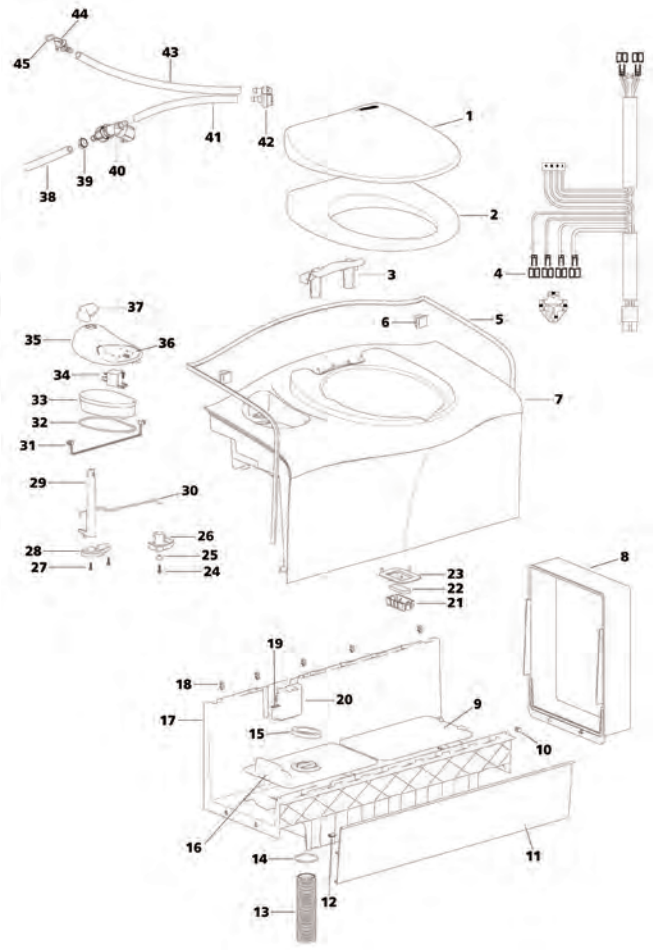
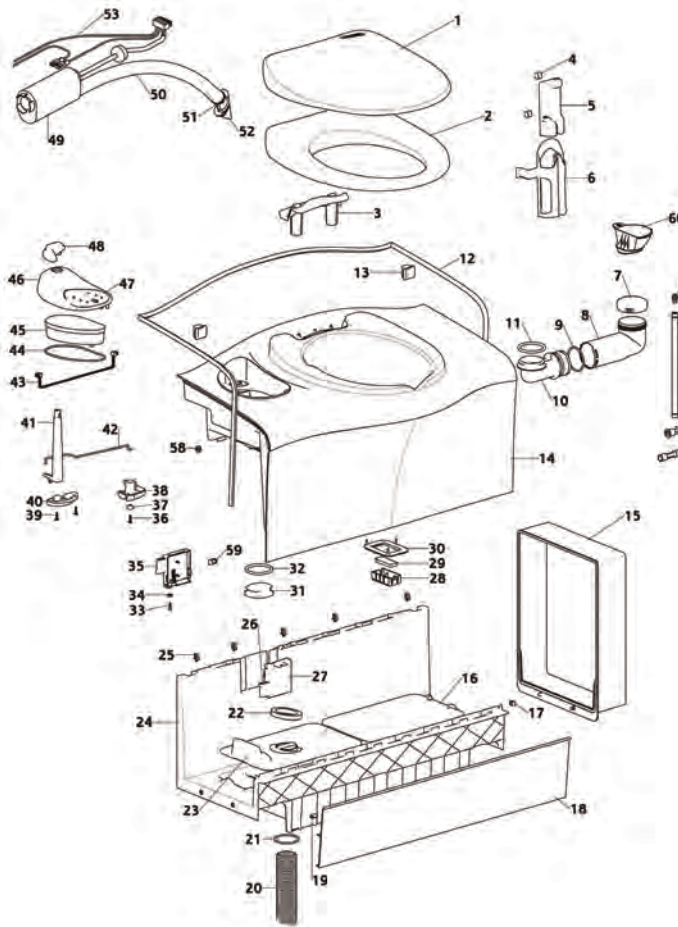


| No.     | Spare part                 | Single part            | Assembly               |
|---------|----------------------------|------------------------|------------------------|
| 1       | Spring, clip retainer      | 16169                  | 16350<br><b>060193</b> |
| 2       | Clip retainer              |                        |                        |
| 3       | Clip                       |                        |                        |
| 4       | Draincap Water fill funnel | 16385<br><b>060136</b> | 16381<br><b>060122</b> |
| 5       | Water fill funnel          |                        |                        |
| 6       | Cap water fill funnel      | 16848<br><b>060158</b> |                        |
| 7       | O-ring                     |                        |                        |
| 11 - 15 | Flush knob assembly        |                        | 16377<br><b>060121</b> |
| 17 - 18 | Hinge post and pins        |                        | 16183<br><b>060155</b> |
| 16 - 19 | Seat, lid & hinges         |                        | 16194<br><b>060130</b> |
| 20 - 31 | Pump assembly              |                        | 20291<br><b>060176</b> |
| 23      | Bellows                    | 21065<br><b>060126</b> |                        |
| 25 - 27 | Inlet tube                 |                        | 21066<br><b>060124</b> |
| 28 - 31 | Flush tube                 |                        | 20292<br><b>060165</b> |
| 33 - 38 | Level indicator dial       |                        | 16171<br><b>060147</b> |
| 43      | Extension front panel      | 16266                  |                        |



| No.       | Spare part          | Single part | Assembly  |
|-----------|---------------------|-------------|---|
| 45 - 46   | Drain tube          |             | To March 1998<br>16182  |
| 46a - 46e | Drain tube assembly |             | Left hand<br>21370<br><b>060157</b><br>Right hand<br>21371<br><b>060117</b> |
| 49 - 57   | Mechanism           |             | 20325<br><b>060129</b>  |



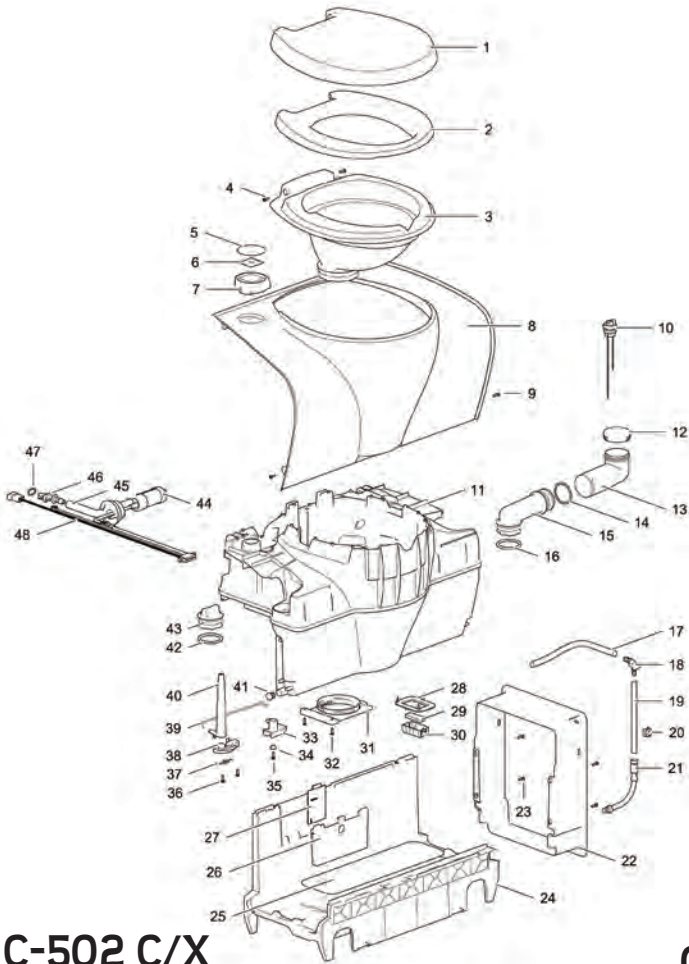


### C-402 C/X

| No.           | Spare part                         | Single part         | Assembly            |
|---------------|------------------------------------|---------------------|---------------------|
| 1 - 3         | Seat & lid assembly                |                     | 32309 <b>060227</b> |
| 4 - 6 & 35    | For 402X - Float & magnet assembly |                     | 32330               |
| 7             | Water fill cap                     | 16848 <b>060158</b> |                     |
| 7 - 11        | Water fill funnel assembly         |                     | 32315 <b>060231</b> |
| 12            | Wall seal                          | 32311 <b>060211</b> |                     |
| 20 - 22       | Vent hose & seal                   | 32324               |                     |
| 26            | Fuse                               | 21766 <b>060156</b> |                     |
| 27 For 402C   | Reed switch                        | 32316 <b>060232</b> |                     |
| 27 For 402X   | Reed switch                        | 32317               |                     |
| 35 inc. 4 - 6 | Reed switch                        |                     | 32330               |
| 38, 40 & 41   | Shaft                              | 51802               |                     |
| 43            | Wire harness                       | 32319               |                     |
| 46 For 402C   | Control panel                      |                     | 32320 <b>060234</b> |
| 47 For 402C   | Overlay                            | 32321               |                     |
| 46 For 402X   | Control panel                      |                     | 32322 <b>060235</b> |
| 47 For 402X   | Overlay                            | 32323               |                     |
| 48            | Handle                             | 51803               |                     |
| 49            | Pump                               | 16374 <b>060118</b> |                     |
| 54 - 57       | Drain tube ass'y                   | after 10/05         | 51804               |
| 60            | Water fill extension               | 32329 <b>057158</b> |                     |
|               | Hose connection                    |                     | 23851               |

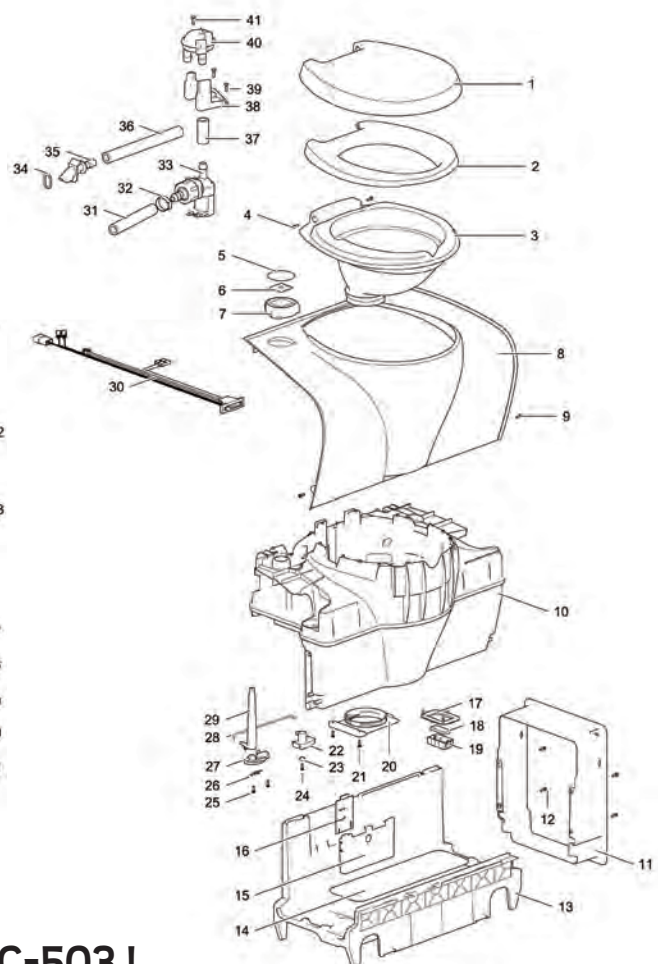
### C-403 L

| No.         | Spare part          | Single part         | Assembly            |
|-------------|---------------------|---------------------|---------------------|
| 1 - 3       | Seat & lid assembly |                     | 32309 <b>060227</b> |
| 5           | Wall seal           | 32311 <b>060211</b> |                     |
| 13 - 15     | Vent hose & seal    | 32324               |                     |
| 19          | Fuse                | 21766 <b>060156</b> |                     |
| 20          | Reed switch         | 32317               |                     |
| 26, 28 & 29 | Shaft & bracket     | 51802               |                     |
| 30          | Link                | 51806               |                     |
| 31          | Wire harness        | 32319               |                     |
| 34          | Relay               | 20106               |                     |
| 35          | Control panel       |                     | 32313               |
| 36          | Overlay             | 32314               |                     |
| 37          | Handle              | 51803               |                     |
| 40          | Electric valve      | 23709 <b>060172</b> |                     |
| 42          | Vacuum breaker      | 16833 <b>060178</b> |                     |



## C-502 C/X

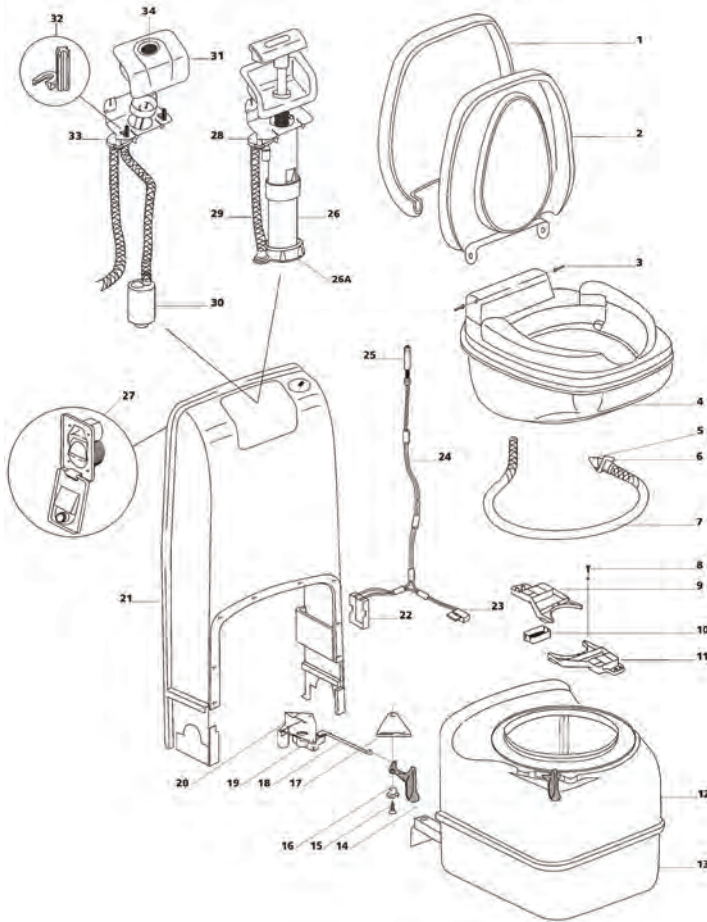
| No.               | Spare part                      | Single part         | Assembly                   |
|-------------------|---------------------------------|---------------------|----------------------------|
| 1 - 2             | Seat & lid                      |                     | 90713                      |
| 5 - 7<br>For 502C | Control assembly                |                     | 90701                      |
| 5 - 7<br>For 502X | Control assembly                |                     | 90709                      |
| 10 For 502X       | Water level sensor              | 90702               |                            |
| 12                | Water fill cap                  | 16848 <b>060158</b> | 150mm 90710<br>180mm 90719 |
| 13 - 16           | Water fill funnel as-<br>sembly |                     |                            |
| 20                | Sight tube clip                 | 90711               |                            |
| 19 & 21           | Vent hose & seal                | 90703               |                            |
| 27 For 402C       | Main PCB                        | 90704               |                            |
| 33, 37, 38, 40    | Shaft                           |                     | 51802                      |
| 44                | Pump                            | 16374 <b>060118</b> |                            |
| 45 - 47           | Water supply tube               |                     | 90705                      |



## C-503 L

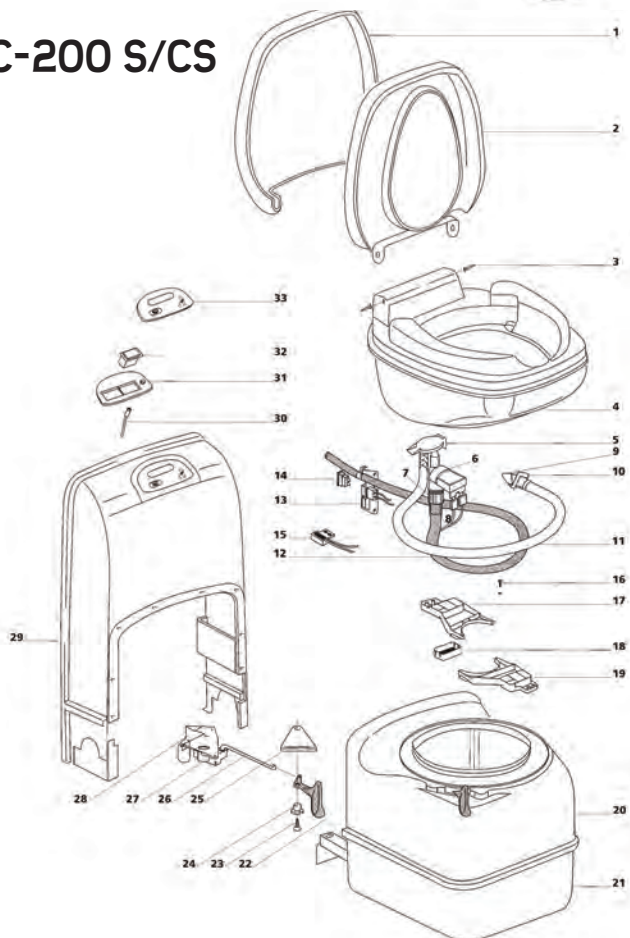
| No.            | Spare part        | Single part | Assembly               |
|----------------|-------------------|-------------|------------------------|
| 1 - 2          | Seat & lid        |             | 90713                  |
| 5 - 7          | Control assembly  |             | 90715                  |
| 16             | Main PCB          | 90716       |                        |
| 22, 26, 27, 29 | Shaft             |             | 51802                  |
| 32 - 33        | Solenoid & clamp  |             | 90717                  |
| 34 - 36        | Water supply tube |             | 90718                  |
| 40             | Vacuum breaker    |             | 16833<br><b>060178</b> |

### C-200 CW/CWE



| No.                | Spare part              | Single part            | Assembly               |
|--------------------|-------------------------|------------------------|------------------------|
| 1                  | Cover                   |                        | 23706<br><b>060175</b> |
| 2                  | Seat                    |                        |                        |
| 3                  | Hinge pin               | 23707                  |                        |
| 5 - 7              | Water supply tube       |                        | 23710                  |
| 14 - 16            | Handle assembly         |                        | 23713<br><b>060080</b> |
|                    | Saddle bracket          | 23848                  |                        |
| 20                 | Bracket (outside vent)  | 23850                  |                        |
| 22 - 25            | Wiring harness assembly |                        | 23738<br><b>060087</b> |
| 26 - 29<br>Exc. 27 | Manual pump             |                        | 23739<br><b>060085</b> |
| 26A                | Pump retainer           | 23845<br><b>060079</b> |                        |
| 27                 | Waterfill door          | 23791<br><b>060173</b> |                        |
| 28                 | Vacuum breaker          | 16833<br><b>060178</b> |                        |
| 30                 | Pump                    | 16374<br><b>060118</b> |                        |
| 31 - 34            | Bezel/switch assembly   |                        | 23771<br><b>060086</b> |
| 33                 | Vacuum breaker          | 16833<br><b>060178</b> |                        |
| 34                 | Switch                  | 23792                  |                        |

### C-200 S/CS



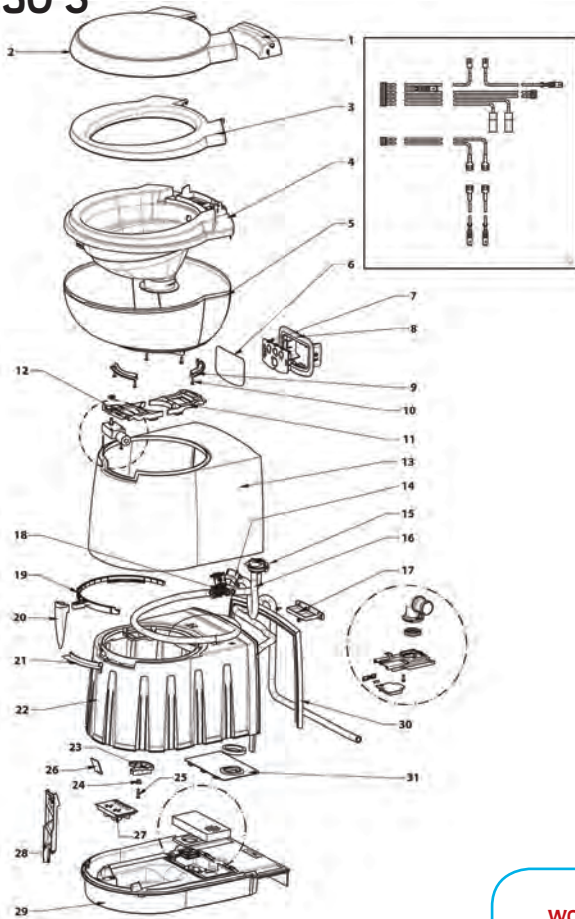
| No.     | Spare part             | Single part            | Assembly               |
|---------|------------------------|------------------------|------------------------|
| 1       | Cover                  |                        | 23706<br><b>060175</b> |
| 2       | Seat                   |                        |                        |
| 3       | Hinge pin              | 23707                  |                        |
| 5       | Vacuum breaker         | 16833<br><b>060178</b> |                        |
| 6 - 8   | Electric valve         |                        | 23709<br><b>060172</b> |
| 9 - 11  | Water tube             |                        | 23710                  |
| 14      | Fuse                   | 21766<br><b>060156</b> |                        |
| 15      | Reed switch            | 23174<br><b>060081</b> |                        |
| 22 - 24 | Handle assembly        |                        | 23713<br><b>060080</b> |
|         | Saddle bracket         | 23848                  |                        |
| 20      | Bracket (outside vent) | 23850                  |                        |
| 30      | LED                    | 23718<br><b>060082</b> | 23846                  |
| 31      | Switch panel           |                        |                        |
| 32      | Flush switch           | 23716<br><b>060092</b> |                        |
| 33      | Bezel                  |                        |                        |



# Section 7

Theftford spares

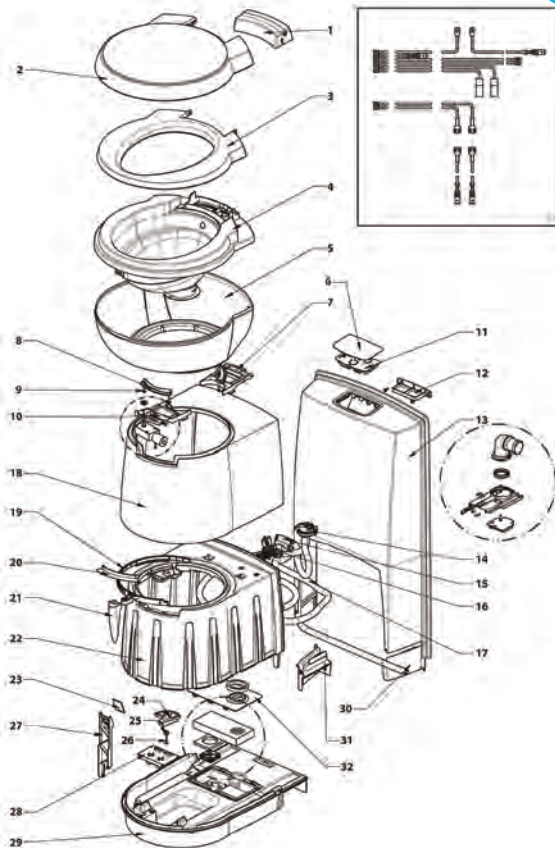
## C-250 S



| No.     | Spare part   | Single part   | Assembly               |
|---------|--|---|------------------------|
| 1 - 3   | Cover, seat & pod  |   | 50707<br><b>057162</b> |
| 6       | Overlay  | 50708<br><b>057164</b>  |                        |
| 7       | Control panel SN<br>Control panel SW<br>Control panel FF   | 50709 <b>057166</b><br>50710 <b>057167</b><br>50711 <b>057168</b> |                        |
| 11      | Bowl retaining bracket   | 50733   |                        |
| 14      | Nozzle   | 50729   |                        |
| 15      | Vacuum breaker   | 16833<br><b>060178</b>  |                        |
| 18      | Electric valve   | 23709<br><b>060172</b>  |                        |
| 20      | Handle   | 93402   |                        |
| 23 - 25 | Saddle assembly  |   | 50735                  |
| 26      | Reed switch one switch<br>Reed switch single level<br>Reed switch multi level                        | 50713 <b>057172</b><br>50714 <b>057173</b><br>50715 <b>057174</b> |                        |
| 27 - 28 | Relay & housing  |   | 50716                  |
| 31      | Vent plate   | 50734   |                        |
|         | Kits Contain: Reed switch housing and float<br>Kit one switch<br>Kit single level<br>Kit multi level | 50750<br>50751<br>50752   |                        |
|         | Ventilator for powered vents   | 50755   |                        |

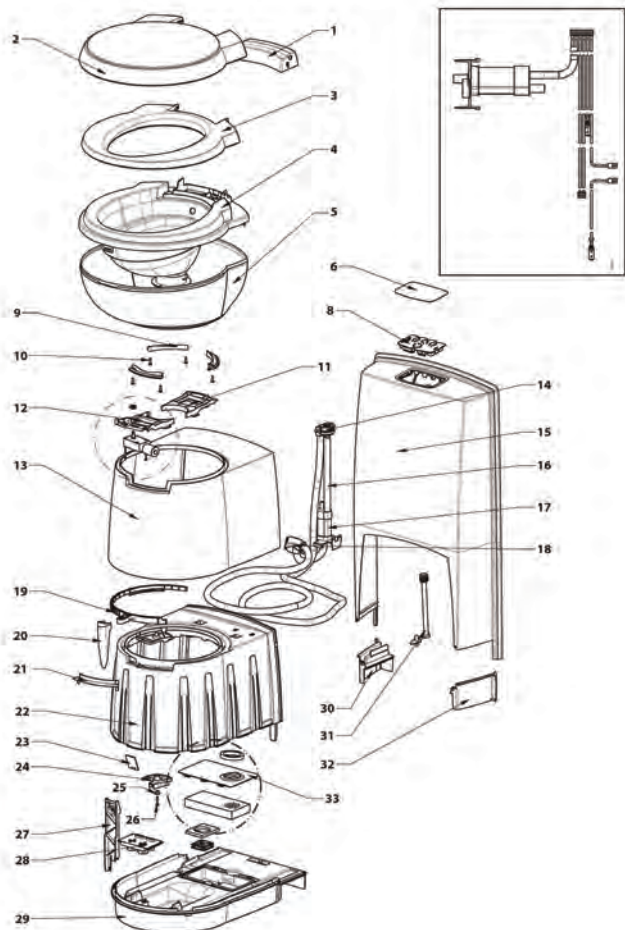
**wow** To establish which control panel or reed switch you require first establish how many buttons are on the control panel.  
 1 button - Control SN, Reed switch one switch.  
 2 buttons - Control SW, Reed switch single level.  
 4 buttons - Control FF, Reed switch multi level.

## C-250 CS



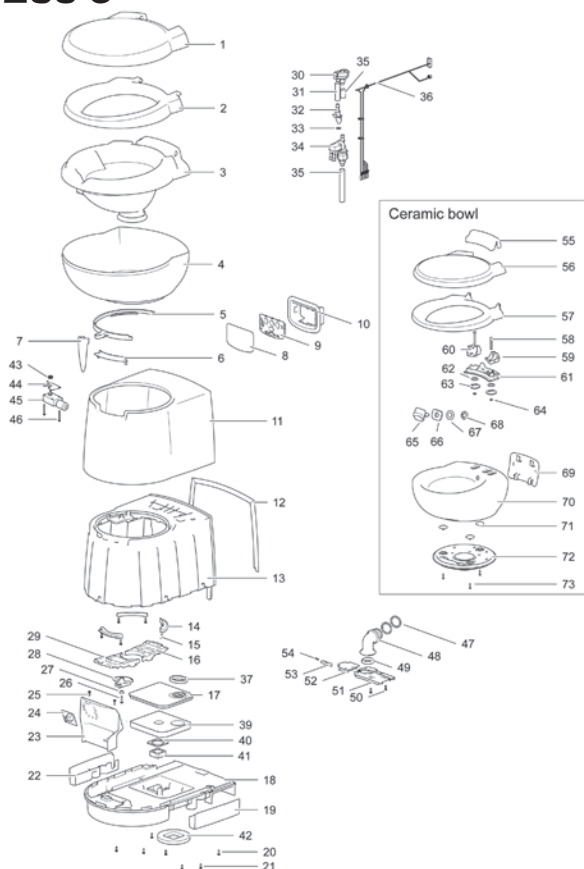
| No.     | Spare part   | Single part   | Assembly               |
|---------|--|---|------------------------|
| 1 - 3   | Cover, seat & pod  |   | 50707<br><b>057162</b> |
| 6       | Overlay  | 50708<br><b>057164</b>  |                        |
| 7       | Bowl retaining bracket   | 50733   |                        |
| 11      | Control panel SN<br>Control panel SW<br>Control panel FF   | 50709 <b>057166</b><br>50710 <b>057167</b><br>50711 <b>057168</b> |                        |
| 14      | Vacuum breaker   | 16833<br><b>060178</b>  |                        |
| 15      | Nozzle   | 50729   |                        |
| 16      | Electric valve   | 23709<br><b>060172</b>  |                        |
| 21      | Handle   | 93402   |                        |
| 23      | Reed switch one switch<br>Reed switch single level<br>Reed switch multi level                        | 50713 <b>057172</b><br>50714 <b>057173</b><br>50715 <b>057174</b> |                        |
| 24 - 26 | Saddle assembly  |   | 50735                  |
| 27 - 28 | Relay & housing  |   | 50716                  |
| 32      | Vent plate   | 50734   |                        |
|         | Kits Contain: Reed switch housing and float<br>Kit one switch<br>Kit single level<br>Kit multi level | 50750<br>50751<br>50752   |                        |
|         | Ventilator for powered vents   | 50755   |                        |

### C-250 CWE



| No.     | Spare part   | Single part   | Assembly               |
|---------|--|---|------------------------|
| 1 - 3   | Cover, seat & pod  |   | 50707<br><b>057162</b> |
| 6       | Overlay  | 50708<br><b>057164</b>  |                        |
| 8       | Control panel SN<br>Control panel SW<br>Control panel FF   | 50709 <b>057166</b><br>50710 <b>057167</b><br>50711 <b>057168</b> |                        |
| 11      | Bowl retaining bracket   | 50733   |                        |
| 14      | Vacuum breaker   | 16833<br><b>060178</b>  |                        |
| 15      | Pump   | 50712<br><b>057169</b>  |                        |
| 18      | Nozzle   | 50729   |                        |
| 20      | Handle   | 93402   |                        |
| 23      | Reed switch one switch<br>Reed switch single level<br>Reed switch multi level                        | 50713 <b>057172</b><br>50714 <b>057173</b><br>50715 <b>057174</b> |                        |
| 24 - 26 | Saddle assembly  |   | 50735                  |
| 27 - 28 | Relay & housing  |   | 50716                  |
| 31      | Drain  | 50717<br><b>057175</b>  |                        |
| 33      | Vent plate   | 50734   |                        |
|         | Kits Contain: Reed switch housing and float<br>Kit one switch<br>Kit single level<br>Kit multi level | 50750<br>50751<br>50752   |                        |
|         | Ventilator for powered vents   | 50755   |                        |

### C-263 S

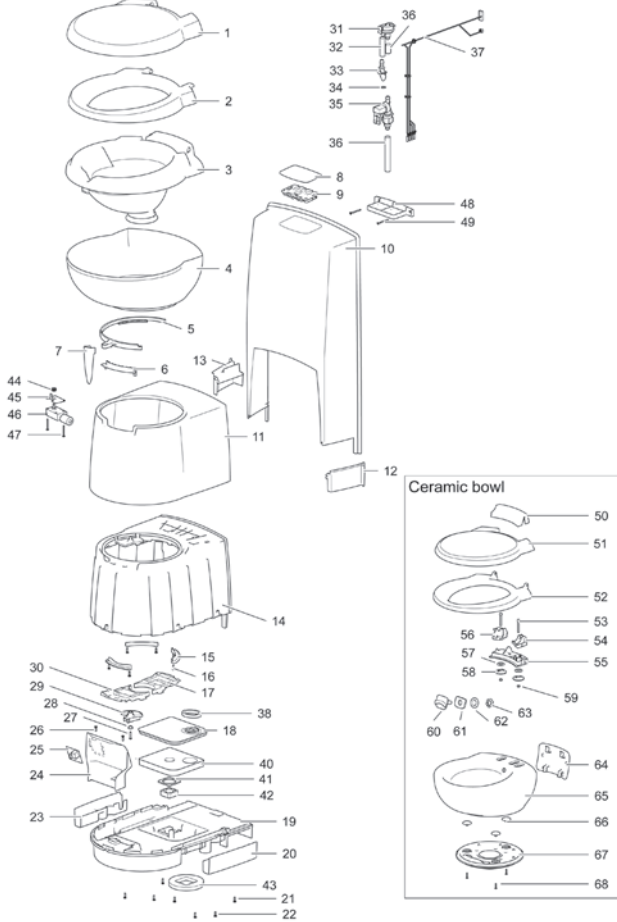


| No.          | Spare part   | Single part             | Assembly               |
|--------------|--|-------------------------|------------------------|
| 1 - 2        | Seat and cover   |                         | 93401                  |
| 7            | Handle   | 93402                   |                        |
| 8            | Sticker control panel                                    | 93403                   |                        |
| 9            | Control panel SN<br>Control panel SW<br>Control panel FF | 93404<br>93405<br>93406 |                        |
| 16           | Bowl retaining bracket                                   | 50733                   |                        |
| 23           | Housing main PCB   | 93407                   |                        |
| 24           | Reed switch single level<br>Reed switch multi level      | 93408<br>93409          |                        |
| 26 - 28      | Saddle assembly  |                         | 50735                  |
| 30           | Vacuum breaker   | 16833 <b>060178</b>     |                        |
| 34           | Electric valve   |                         | 23709<br><b>060172</b> |
| 40 - 41      | Fan and foam   |                         | 93411                  |
| 47           | Seal   | 50749                   |                        |
| 48           | Tube connection  |                         | 50745                  |
| 49           | Seal   |                         |                        |
| 51 - 54      | Base assembly  |                         | 50744                  |
| 47 - 54      | Base and tube assembly                                   |                         | 50747                  |
| 55 - 64 & 69 | Complete seat & lid assembly                             |                         | 93412                  |
| 58 - 64 & 69 | Seat & lid fixing assembly                               |                         | 93413                  |
| 65 - 68      | Seal and washer  |                         | 50756                  |

# Section 7

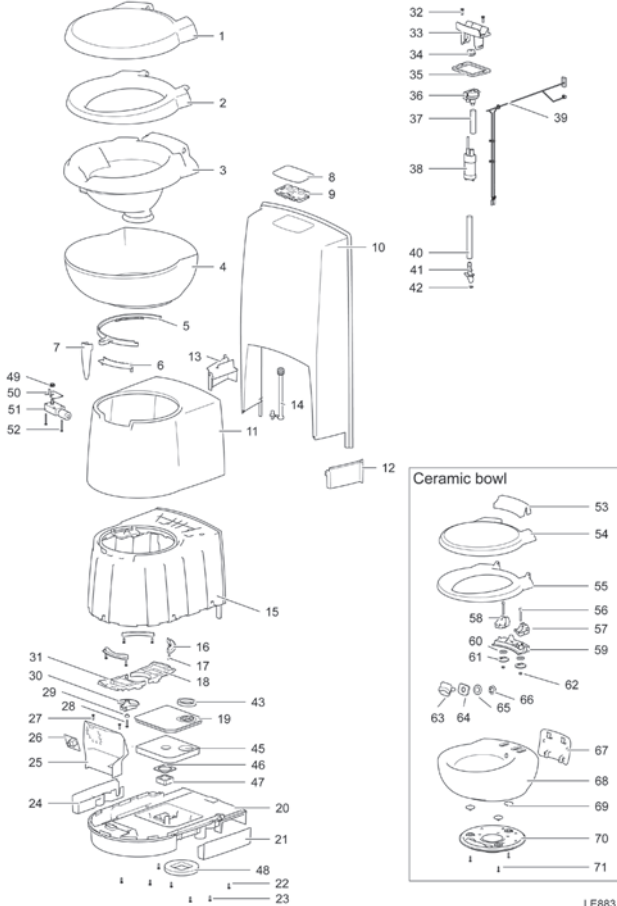
Theftford spares

## C-263 CS



| No.          | Spare part   | Single part             | Assembly               |
|--------------|--|-------------------------|------------------------|
| 1 - 2        | Seat and cover   |                         | 93401                  |
| 7            | Handle   | 93402                   |                        |
| 8            | Sticker control panel                                    | 93403                   |                        |
| 9            | Control panel SN<br>Control panel SW<br>Control panel FF | 93404<br>93405<br>93406 |                        |
| 17           | Bowl retaining bracket                                   | 50733                   |                        |
| 24           | Housing main PCB   | 93407                   |                        |
| 25           | Reed switch single level<br>Reed switch multi level      | 93408<br>93409          |                        |
| 27 - 29      | Saddle assembly  |                         | 50735                  |
| 31           | Vacuum breaker   | 16833<br><b>060178</b>  |                        |
| 35           | Electric valve   |                         | 23709<br><b>060172</b> |
| 41 - 42      | Fan and foam   |                         | 93411                  |
| 50 - 59 & 64 | Complete seat & lid assembly                             |                         | 93412                  |
| 53 - 59 & 64 | Seat & lid fixing assembly                               |                         | 93413                  |
| 60 - 63      | Seal and washer  |                         | 50756                  |

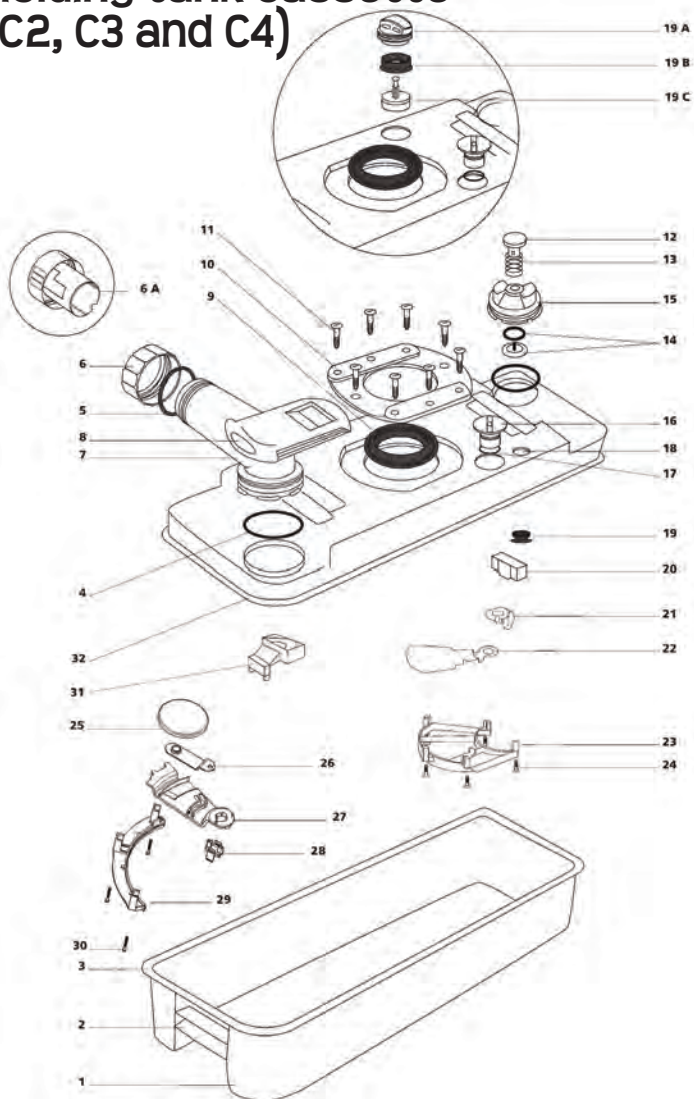
## C-262 CWE



| No.          | Spare part   | Single part             | Assembly |
|--------------|--|-------------------------|----------|
| 1 - 2        | Seat and cover   |                         | 93401    |
| 7            | Handle   | 93402                   |          |
| 8            | Sticker control panel                                    | 93403                   |          |
| 9            | Control panel SN<br>Control panel SW<br>Control panel FF | 93404<br>93405<br>93406 |          |
| 14           | Drain  | 50717                   |          |
| 17           | Bowl retaining bracket                                   | 50733                   |          |
| 25           | Housing main PCB   | 93407                   |          |
| 26           | Reed switch single level<br>Reed switch multi level      | 93408<br>93409          |          |
| 28 - 30      | Saddle assembly  |                         | 50735    |
| 36           | Vacuum breaker   | 16833<br><b>060178</b>  |          |
| 38           | pump   | 16374<br><b>060118</b>  |          |
| 46 - 47      | Fan and foam   |                         | 93411    |
| 53 - 62 & 67 | Complete seat & lid assembly                             |                         | 93412    |
| 56 - 62 & 67 | Seat & lid fixing assembly                               |                         | 93413    |
| 63 - 66      | Seal and washer  |                         | 50756    |

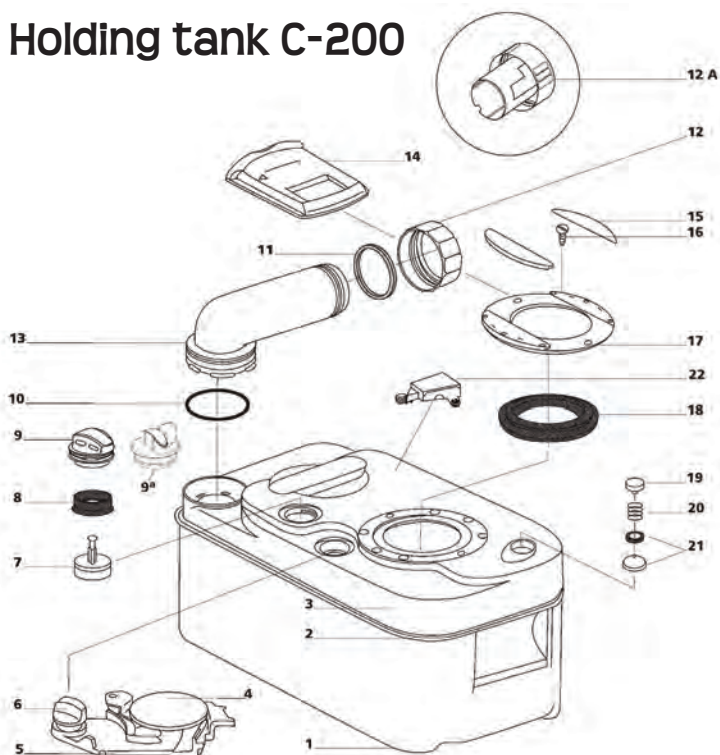


## Holding tank Cassette (C2, C3 and C4)



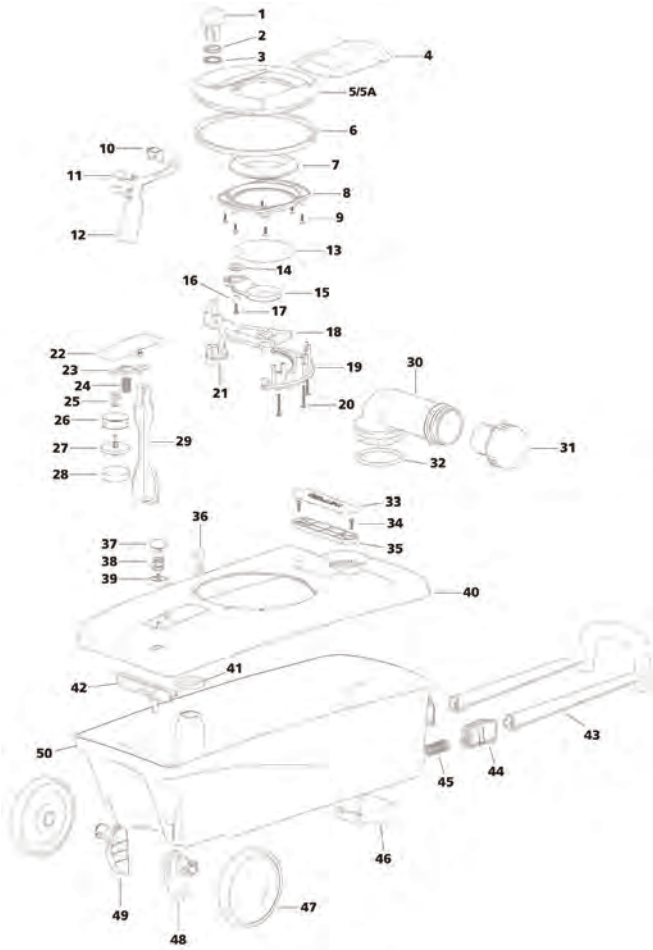
| No.       | Spare part           | Single part   | Assembly                            |
|-----------|----------------------|---|-------------------------------------|
| 4 - 5     | O-rings              | 16195<br><b>060116</b>  | 16196<br><b>060115</b>              |
| 5 - 6     | Dump cap & seal      | 16384<br><b>060113</b>  |                                     |
| 6A        | Measuring cap        | 25810<br>White <b>057201</b><br>Yellow <b>057200</b>                          |                                     |
| 7         | Pour out spout       |   |                                     |
| 8         | Sliding cover        | 21333<br><b>060141</b>  |                                     |
| 9         | Lip seal             | To June 2000<br>16175 <b>060128</b><br>After June 2000<br>23721 <b>060101</b> |                                     |
| 12 - 14   | Vent button yellow   | 07524<br><b>060153</b>  |                                     |
| 12-15     | Vent button assembly |   | 16176<br><b>060140</b>              |
| 16 - 17   | Blade opener         |   | To June 2000<br>21458 <b>060200</b> |
| 19        | Vent seal            | 20339<br><b>060127</b>  |                                     |
| 19A - 19C | Autovent             |   | 23722<br><b>060110</b>              |
| 19B       | Autovent seal        | 21528   |                                     |
| 20        | Float vent           | 21510<br><b>060139</b>  |                                     |
| 25        | Blade                | 23847<br><b>060078</b>  |                                     |
| 31        | Float arm            | 21322<br><b>060138</b>  |                                     |

## Holding tank C-200



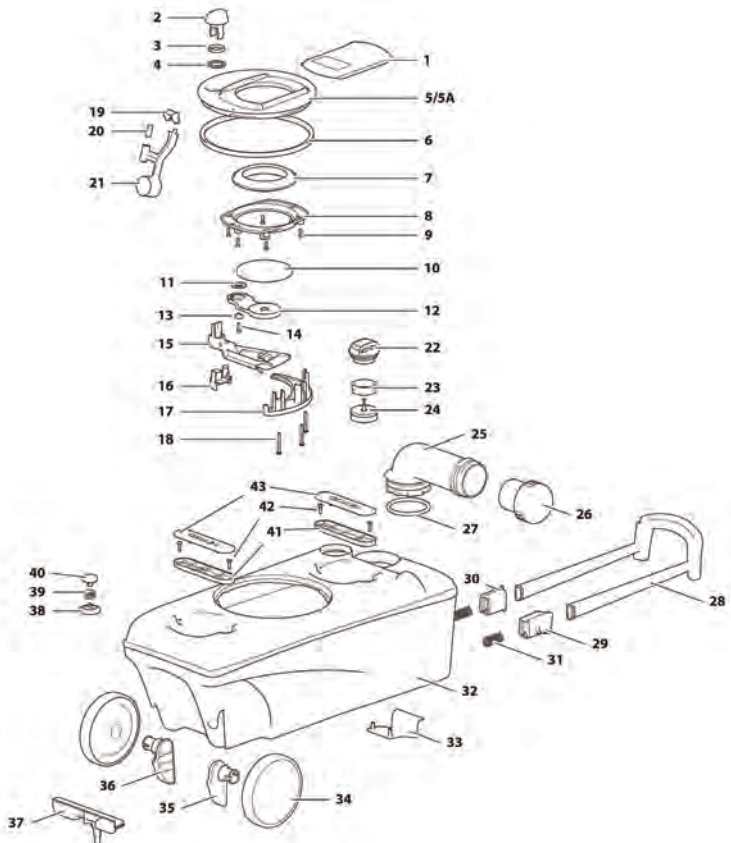
| No.     | Spare part            | Single part  | Assembly               |
|---------|-----------------------|--|------------------------|
| 4       | Blade                 | 23847<br><b>060078</b>                               |                        |
| 6       | Blade opener          | 23743<br><b>060084</b>                               |                        |
| 7 - 9   | Autovent              |  | 23722<br><b>060110</b> |
| 7 - 9A  | Autovent (outside)    |  | 23788<br><b>060171</b> |
| 8       | Seal Autovent         | 21528  |                        |
| 10 - 11 | O-rings               | 16195<br><b>060116</b>                               | 16196<br><b>060115</b> |
| 11 - 12 | Dump cap & seal       | 16384<br><b>060113</b>                               |                        |
| 12A     | Measuring cap         | 25810<br>White <b>057201</b><br>Yellow <b>057200</b> |                        |
| 13      | Pour out spout        |  |                        |
| 14      | Sliding cover         | 21333<br><b>060141</b>                               |                        |
| 18      | Lipseal               | 23721<br><b>060101</b>                               |                        |
| 19 - 21 | Vent button assembly  |  | 07524<br><b>060153</b> |
| 22      | Float arm             | 23726<br><b>060083</b>                               |                        |
|         | Tank lock clip Yellow | 23849<br><b>060195</b>                               |                        |

## Holding tank C-400



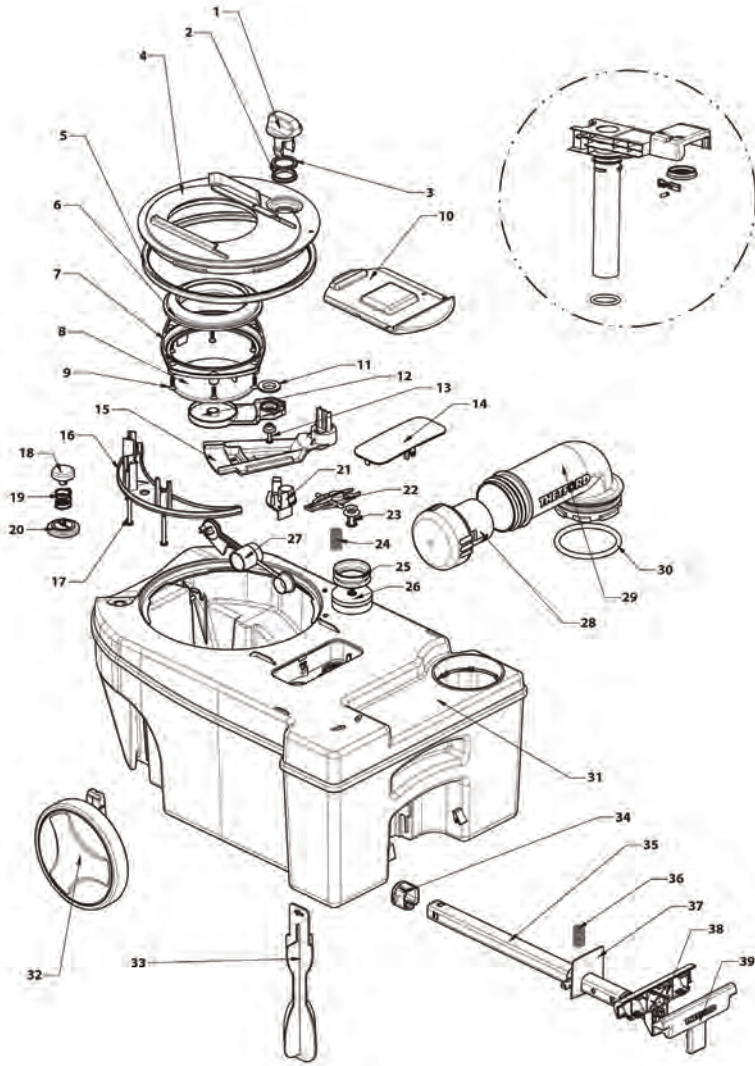
| No.        | Spare part               | Single part  | Assembly            |
|------------|--------------------------|--|---------------------|
| 1          | Sliding cover            | 32301 <b>060219</b>                                  |                     |
| 2 - 4 & 21 | Blade opener             |  | 32300 <b>060218</b> |
| 5          | Holding tank plate left  | 32302  |                     |
| 5          | Holding tank plate right | 32328  |                     |
| 6          | Seal for mechanism       | 32303 <b>060207</b>                                  |                     |
| 7          | Lip seal                 | 23721 <b>060101</b>                                  |                     |
| 10 - 12    | Magnet assembly          |  | 32304 <b>060208</b> |
| 13         | Blade                    | 50731 <b>057188</b>                                  |                     |
| 2 - 21     | Complete mechanism Left  |  | 32332 <b>060243</b> |
| 2 - 21     | Complete mechanism Right |  | 32331 <b>060242</b> |
| 25 - 28    | Vent seal & float        |  | 32305 <b>060209</b> |
| 30         | Pour out spout           |  |                     |
| 31         | Measuring cap            | 25810<br>White <b>057201</b><br>Yellow <b>057200</b> | 32306 <b>060223</b> |
| 32         | O-ring                   |  |                     |
| 37 - 39    | Vent button assembly     |  | 32307 <b>060224</b> |
| 43 - 45    | Handle assembly          |  | 51805               |
| 46         | Tank lock clip           | 51801  |                     |
| 47 - 49    | Wheel and bearings       |  | 32308 <b>060226</b> |

## Holding tank C-500



| No.        | Spare part                   | Single part  | Assembly            |
|------------|------------------------------|--|---------------------|
| 1          | Sliding cover                | 32301 <b>060219</b>                                  |                     |
| 2 - 4 & 16 | Blade opener                 |  | 32300 <b>060218</b> |
| 6          | Seal for mechanism           | 50724 <b>057187</b>                                  |                     |
| 7          | Lip seal                     | 23721 <b>060101</b>                                  |                     |
| 10         | Blade                        | 50731 <b>057188</b>                                  |                     |
| 19 - 21    | Magnet assembly              |  | 90706               |
| 22 - 24    | Upper auto vent, seal & foam |  | 23722               |
| 5 - 24     | Complete mechanism Left      |  | 32332 <b>060243</b> |
| 5 - 24     | Complete mechanism Right     |  | 32331 <b>060242</b> |
| 25         | Pour out spout               |  |                     |
| 26         | Measuring cap                | 25810<br>White <b>057201</b><br>Yellow <b>057200</b> | 32306 <b>060223</b> |
| 27         | O-ring                       |  |                     |
| 28 - 31    | Handle assembly              |  | 51805               |
| 33         | Tank lock clip               | 51801  |                     |
| 34 - 36    | Wheel and bearings           |  | 32308 <b>060226</b> |
| 38 - 40    | Vent button assembly         |  | 32307 <b>060224</b> |

# Holding tank C-250/260



| No.                    | Spare part                      | Single part  | Assembly               |
|------------------------|---------------------------------|--|------------------------|
| 1 - 3                  | Blade opener                    |  | 23743<br><b>060084</b> |
| 5                      | Seal for mechanism              | 50724<br><b>057187</b>                               |                        |
| 6                      | Lip seal                        | 23721<br><b>060101</b>                               |                        |
| 8                      | Blade                           | 50731<br><b>057188</b>                               |                        |
| 10                     | Sliding cover                   | 50718<br><b>057189</b>                               |                        |
| 14                     | Vent lid                        | 50741  |                        |
| 18 - 20                | Vent button assembly            |  | 07524<br><b>060153</b> |
| 23 - 24                | Vent pivot & spring             |  | 50732                  |
| 25                     | Seal for vent                   | 21528  | <b>057190</b>          |
| 26                     | Float stem                      |  |                        |
| 27                     | Float                           | 50725<br><b>057191</b>                               |                        |
| 28                     | Measuring cap                   | 25810<br>White <b>057201</b><br>Yellow <b>057200</b> | 50719<br><b>057192</b> |
| 29 - 30                | O-ring                          |  |                        |
| 32                     | Wheel                           | 50726 pair<br><b>057193</b>                          |                        |
| 34 - 39                | Telescopic handle assembly      |  | 50728<br><b>057194</b> |
| 38 - 39                | Handle                          |  | 50737                  |
| 1 - 9, 11 - 13 16 & 21 | Complete holding tank mechanism |  | 50727<br><b>057195</b> |
|                        | Holding tank complete           |  | 50700<br><b>057181</b> |



# Section 7

## Porta Potti spares

- |   |  |  |  |  |  |   |
|---|--|--|--|--|--|---|
| <br>Waterfill cap<br><b>060197</b> | <br>Bellows white<br><b>060123</b>        | <br>Inlet tube<br><b>060143</b> | <br>Pour out spout<br><b>060150</b> | <br>Cap & spout seals<br><b>060116</b> | <br>Vent seal<br><b>060142</b>    | <br>Dump cap<br><b>060167</b>  |
| <br>Measuring cap<br><b>057200</b> | <br>Vent button assembly<br><b>060153</b> | <br>Lip seal<br><b>060134</b>   | <br>Float vent<br><b>060138</b>     | <br>Button housing<br><b>060148</b>    | <br>Pump housing<br><b>060154</b> | <br>Piston pump upgrade kit<br>PP335 <b>057203</b><br>PP345/365<br><b>057204</b> |

## Cassette spares

- |   |  |  |   |  |   |   |
|---|--|--|---|--|---|---|
| <br>Spring clip retainer<br><b>060193</b>        | <br>Waterfill draincap<br><b>060136</b>     | <br>Waterfill funnel assembly<br><b>060122</b>                                | <br>Waterfill funnel cap<br>Now green<br><b>060158</b> | <br>Flush knob assembly white<br><b>060121</b> | <br>Hinge post<br><b>060155</b>            | <br>Seat & lid white<br><b>060130</b>                        |
| <br>Level indicator dial white<br><b>060147</b> | <br>Flush tube white<br><b>060165</b>      | <br>Pump<br><b>060118</b>  | <br>Electric valve assembly<br><b>060177</b>          | <br>Vacuum breaker<br><b>060178</b>          | <br>Bellows<br><b>060126</b>              |   |
| <br>Check valve<br><b>060124</b>               | <br>Pump assembly<br><b>060176</b>        | <br>Drain tube<br>Right hand<br><b>060117</b><br>Left hand<br><b>060157</b> | <br>Switch<br><b>060119</b>                          | <br>Glass fuse<br>3 amp<br><b>060132</b>     | <br>Blade fuse<br>3 amp<br><b>060156</b> | <br>Mechanism<br>C2,C3<br><b>060114</b>                    |
| <br>Mechanism C4<br><b>060129</b>              | <br>Cap & spout seals<br><b>060116</b>    | <br>Dump cap<br><b>060113</b>   | <br>Measuring dump cap<br><b>057200</b>              | <br>Pour out spout assembly<br><b>060115</b> | <br>Slide cover<br><b>060141</b>         | <br>Lip seal<br>C2,3,4 <b>060128</b><br>C200 <b>060101</b> |
| <br>Vent button<br><b>060153</b>               | <br>Vent button assembly<br><b>060140</b> | <br>Blade opener<br><b>060200</b>   | <br>Vent seal<br><b>060127</b>                       | <br>Automatic vent assembly<br><b>060110</b> | <br>Float vent<br><b>060139</b>          | <br>Float arm<br><b>060138</b>                             |

## Door locks

- |   |   |   |  |   |   |   |
|---|---|---|--|---|---|---|
| <br>Door 2 Mk2 lock<br><b>060159</b> | <br>Door 2 Mk1 lock<br><b>060160</b> | <br>Door 3,4,5 lock<br><b>060164</b> | <br>Lock cover white<br><b>060162</b> | <br>Door seals Mk2<br><b>060137</b> | <br>Hinge pins door 2<br><b>060109</b> | <br>Hinge pins door 3,4,5<br><b>060111</b> |
|---|---|---|--|---|---|---|

C200 cassette spares

|  |   |   |  |   |  |   |
|--|---|---|--|---|--|---|
| <br>Handle<br><b>060080</b>                   | <br>Electric valve assembly<br><b>060172</b> | <br>Read switch<br><b>060081</b>             | <br>Seat & lid white<br><b>060175</b> | <br>LED<br><b>060082</b>            | <br>Flush switch<br><b>060092</b>   | <br>Manual pump<br><b>060085</b> |
| <br>Automatic vent (outside)<br><b>060171</b> | <br>Float arm<br><b>060083</b>               | <br>Wiring harness assembly<br><b>060087</b> | <br>Blade opener<br><b>060084</b>     | <br>Waterfill door<br><b>060173</b> | <br>Bezel assembly<br><b>060086</b> | <br>Blade<br><b>060078</b>       |
| <br>Drain plug grey<br><b>060174</b>          | <br>Retaining clip<br><b>060195</b>          | <br>Pump retainer<br><b>060079</b>           |  |   |  |   |

C400 cassette spares

|   |   |  |  |   |  |  |
|---|---|--|--|---|--|--|
| <br>Blade opener<br><b>060218</b> | <br>Fill funnel assembly<br><b>060231</b> | <br>Wall seal<br><b>060211</b>                       | <br>Reed switch housing kit<br><b>060232</b> | <br>Control panel C model<br><b>060234</b> | <br>Waterfill extension<br><b>057158</b> | <br>Seat & lid assembly<br><b>060227</b> |
| <br>Seal<br><b>060207</b>        | <br>Float arm<br><b>060208</b>           | <br>Hold tank mechanism Left hand<br><b>060243</b>  | <br>Vent seal<br><b>060209</b>              | <br>Pour out spout<br><b>060223</b>       | <br>Vent button<br><b>060224</b>        | <br>Wheel set<br><b>060226</b>          |
|   |   | <br>Hold tank mechanism Right hand<br><b>060242</b> |  |   |  |  |

C250 cassette spares

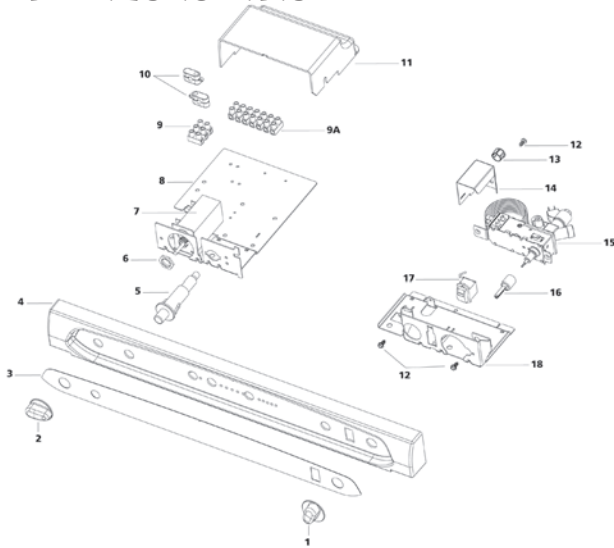
|   |  |   |  |  |  |
|---|--|---|--|--|--|
| <br>Overlay<br><b>057164</b>             | <br>Control panel SN<br><b>057166</b>               | <br>Reed switch One switch<br><b>057172</b>  | <br>Drain tube CWE<br><b>057175</b> | <br>Holding tank plate<br><b>057186</b> | <br>Seal<br><b>057187</b>               |
| <br>Float stem<br><b>057190</b>          | <br>Slide cover C250<br><b>057189</b>               | <br>Reed switch Multi level<br><b>057174</b> | <br>Seat & lid<br><b>057162</b>     | <br>Holding tank<br><b>057181</b>        | <br>Holding tank float<br><b>057191</b> |
| <br>Slide cover C400<br><b>060219</b>    | <br>Blade<br><b>057188</b>                          | <br>Pour out spout<br><b>057192</b>        |  |  |  |
| <br>Holding tank wheels<br><b>057193</b> | <br>Holding tank telescopic handle<br><b>057194</b> | <br>Holding tank mechanism<br><b>057195</b>  |  |  |  |

## Controls for N80, N90, N97, N98, N100, N104, N108, N109, N112, N115, N145 & N150

To decide which diagram to follow please use the guide below:

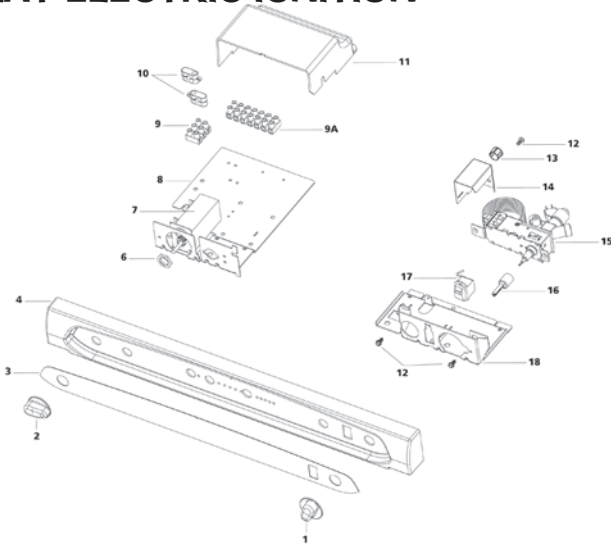
1. For fridges with standard knobs please see Piezo or electric ignition controls below  
(fridges with these controls are either 486mm or 525mm wide for overlays you will need to know this)
2. For fridges with an LED display please see "LED CONTROLS" on the page opposite  
(fridge freezer or fridge only models)
3. For fridges with an LCD display please see "LCD FLAT", or "LCD CURVED" depending on whether the door is flat or curved

### FLAT PEIZO IGNITION



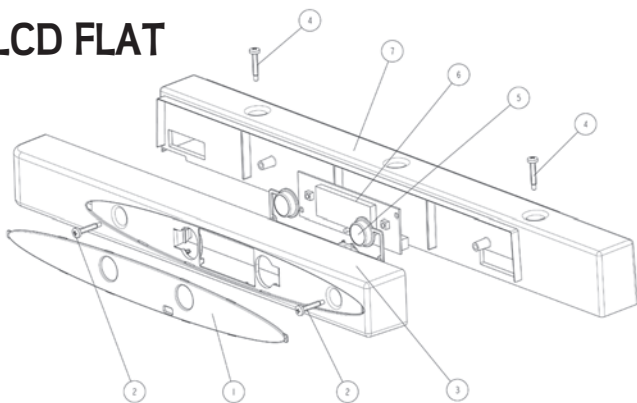
| No.   | Spare part                                       | Single part            | Assembly             |
|-------|--|------------------------|----------------------|
| 1     | Control knob                                     | 623026 <b>089089</b>   |                      |
| 2     | Control knob                                     | 625682 <b>089206</b>   |                      |
| 3     | Overlay 486mm wide                               | 626620                 |                      |
| 3     | Overlay 525mm wide                               | 626622                 |                      |
| 4     | Control panel                                    | 627002 <b>089210</b>   |                      |
| 5     | Piezo ignitor grey                               | 625689 <b>089248</b>   |                      |
| 6 - 7 | Nut & selector switch 5 position                 |                        | 623400 <b>089253</b> |
| 6 - 7 | Nut & selector switch 6 position from 01/07/2005 |                        | 626999 <b>089254</b> |
| 15    | Gas valve v.2                                    | 62568807 <b>089226</b> |                      |
| 17    | Flame meter                                      | 623029 <b>089213</b>   |                      |

### FLAT ELECTRIC IGNITION



| No.   | Spare part                                       | Single part            | Assembly             |
|-------|--|------------------------|----------------------|
| 1     | Control knob                                     | 623026 <b>089089</b>   |                      |
| 2     | Control knob                                     | 625682 <b>089206</b>   |                      |
| 3     | Overlay 486mm wide                               | 626621                 |                      |
| 3     | Overlay 525mm wide                               | 626623                 |                      |
| 4     | Control panel                                    | 627002 <b>089210</b>   |                      |
| 5     | Piezo ignitor grey                               | 625689 <b>089248</b>   |                      |
| 6 - 7 | Nut & selector switch 5 position                 |                        | 623400 <b>089253</b> |
| 6 - 7 | Nut & selector switch 6 position from 01/07/2005 |                        | 626999 <b>089254</b> |
| 15    | Gas valve v.2                                    | 62568807 <b>089226</b> |                      |
| 17    | Flame meter                                      | 623029 <b>089213</b>   |                      |

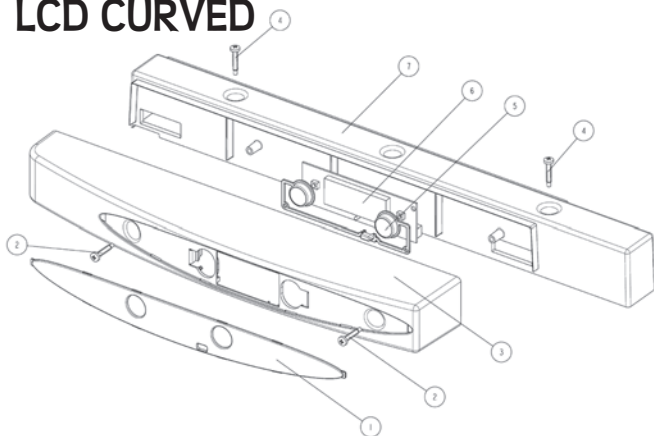
### LCD FLAT



| No. | Spare part                           | Single part          | Assembly |
|-----|--------------------------------------|----------------------|----------|
| 1   | Overlay LCD post 2005 (EES electric) | 626975 <b>089243</b> |          |
| 1   | Overlay LCD pre 2005 (SES automatic) | 631737               |          |
| 3   | Control panel flat LCD               | 626974 <b>089209</b> |          |
| 6   | Display board LCD                    | 626972 <b>089214</b> |          |

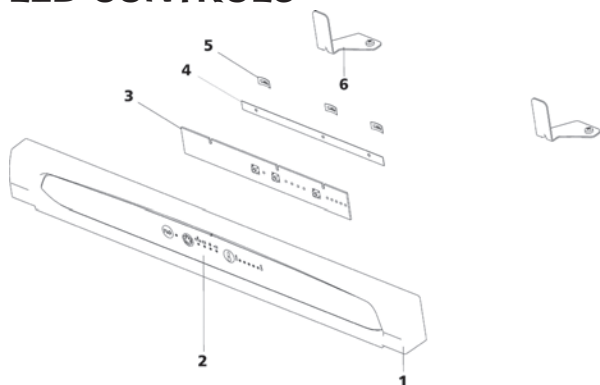


### LCD CURVED

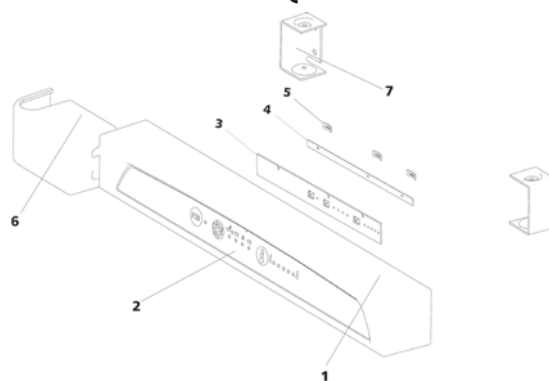


| No. | Spare part                           | Single part          | Assembly |
|-----|--------------------------------------|----------------------|----------|
| 1   | Overlay LCD post 2005 (EES electric) | 626975 <b>089243</b> |          |
| 1   | Overlay LCD pre 2005 (SES automatic) | 631737               |          |
| 3   | Control panel curved LCD             | 626973 <b>089208</b> |          |
| 6   | Display board LCD                    | 626972 <b>089214</b> |          |

### LED CONTROLS



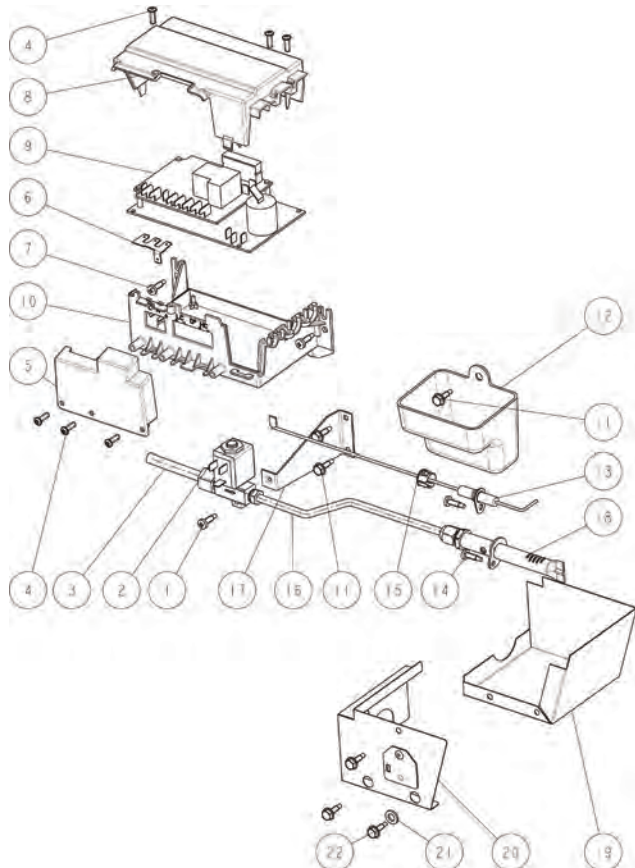
### LED CONTROLS (Fridge Freezers)



| No. | Spare part            | Single part          |
|-----|-----------------------|----------------------|
| 1   | Control panel LED     | 627002 <b>089210</b> |
| 2   | Overlay LED           | 627000 <b>089244</b> |
| 3   | Display board LED v.2 | 626997 <b>089215</b> |

| No. | Spare part                 | Single part          |
|-----|----------------------------|----------------------|
| 1   | Control panel LED          | 627003 <b>089211</b> |
| 2   | Overlay LED Fridge freezer | 625684 <b>089245</b> |
| 3   | Display board LED v.2      | 626997 <b>089215</b> |

### Power control boards



### N90, N97, N100, N104, N109, N112

| No. | Spare part  | Part no.                                     |
|-----|---|--|
| 2 * | Gas Valve V3<br>Gas Valve V4 (N100 & N104)<br>Gas Valve V5                              | 631249<br>631248<br>630440                   |
| 9   | Powerboard A V3 (Smart Energy selection)<br>Powerboard E V3 (Electric Energy selection) | 634420 <b>089246</b><br>634421 <b>089249</b> |
| 13  | Spark electrode   | 636988                                       |
| 18  | Burner  | 623019 <b>089202</b>                         |

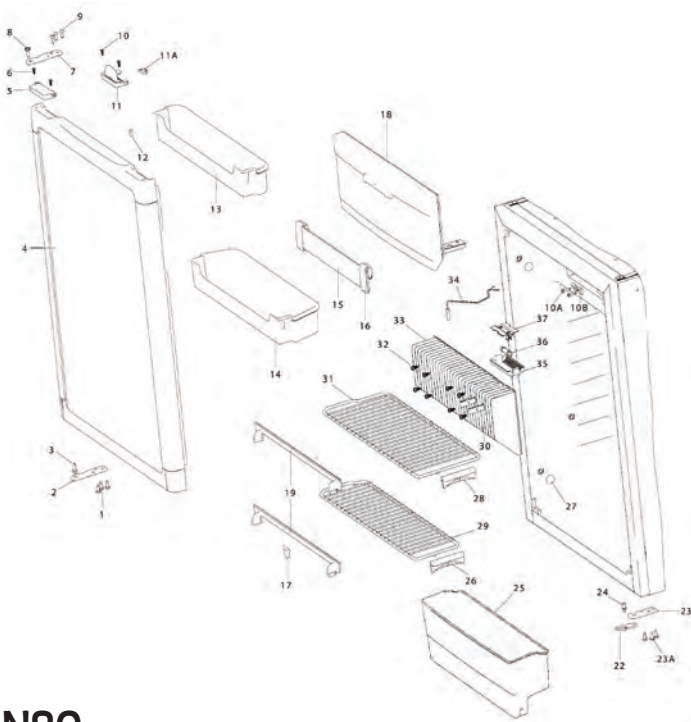
\* V3 and V4 gas valves are to be replaced by a V5 version. Which version is installed on the fridge can be checked by the number on the part itself. V3 & V4 = 626967, V5 = 628453. The part numbers shown included a conversion kit to convert to a V5 version.

### N145, N150, N175, N180

| No. | Spare part  | Part no.                                     |
|-----|---|--|
| 2 * | Gas Valve V4<br>Gas Valve V5  | 631248<br>630440                             |
| 9   | Powerboard A V3 (Smart Energy selection)<br>Powerboard E V3 (Electric Energy selection) | 634422 <b>089247</b><br>634423 <b>089252</b> |
| 13  | Spark electrode   | 636987                                       |
| 18  | Burner  | 623058 <b>089204</b>                         |

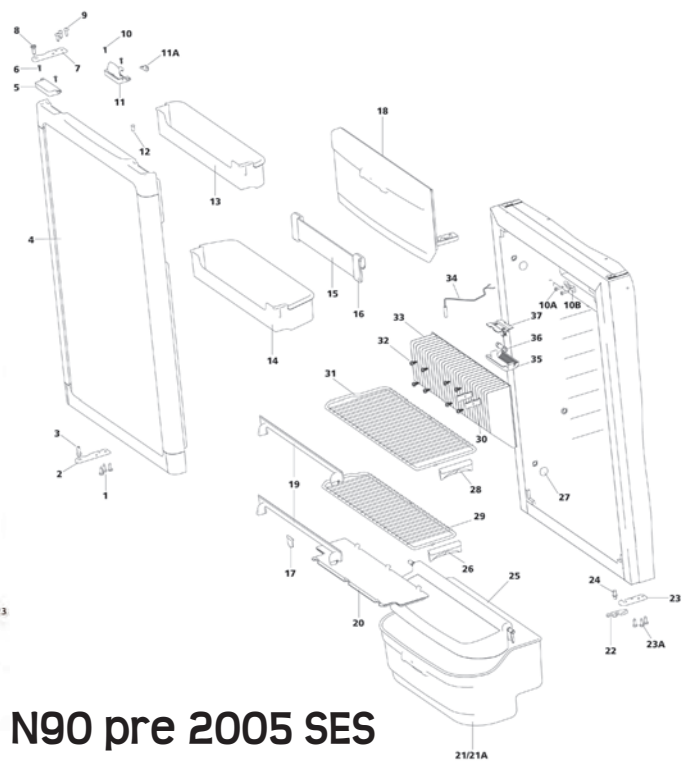
\* V4 gas valves are to be replaced by a V5 version. Which version is installed on the fridge can be checked by the number on the part itself. V4 = 626967, V5 = 628453. The part numbers shown included a conversion kit to convert to a V5 version.

## Front



### N80

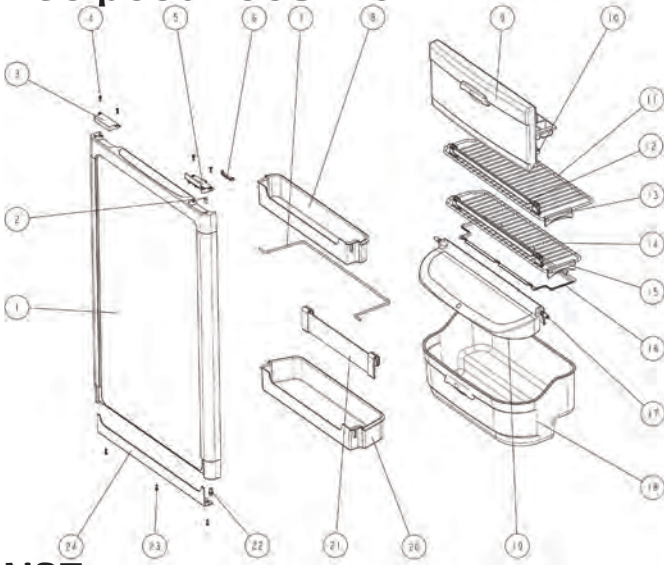
| No.     | Spare part             | Single part           | Assembly                |
|---------|------------------------|-----------------------|-------------------------|
| 4       | Door flat low 486      | 625555R               |                         |
| 10 - 11 | Latch assembly         |                       | 623024                  |
| 11A     | Storage strap          | 624679 <b>089277</b>  | <b>089091</b>           |
| 13      | Door bin               | 623040 <b>089080</b>  |                         |
| 14      | Door bin               | 624023 <b>089081</b>  |                         |
| 15 - 17 | Bottle retainer strap  |                       | 623042<br><b>089078</b> |
| 18      | Freezer door complete  |                       | 623036                  |
|         | Freezer door hinge (2) | 624680 <b>089238</b>  |                         |
| 19      | Shelf food retainer    | 624456                |                         |
| 22      | Latch bottom           | 624001                |                         |
| 25      | Vegetable bin          | 623039 <b>089288</b>  |                         |
| 26      | Clip shelf small       | 623626 <b>089093</b>  |                         |
| 27      | Cap (x2)               | 623622                |                         |
| 28      | Clip shelf large       | 623625 <b>089094</b>  |                         |
| 29      | Shelf                  | 623037 <b>089265</b>  |                         |
| 30      | Fin clip (x6)          | 623023                |                         |
| 31      | Shelf                  | 623038 <b>089266</b>  |                         |
| 34      | Interior light switch  | 623018                |                         |
| 35      | Interior light cover   | 624002 <b>089079A</b> |                         |
| 36      | Interior light bulb    | 624003 <b>089079</b>  |                         |



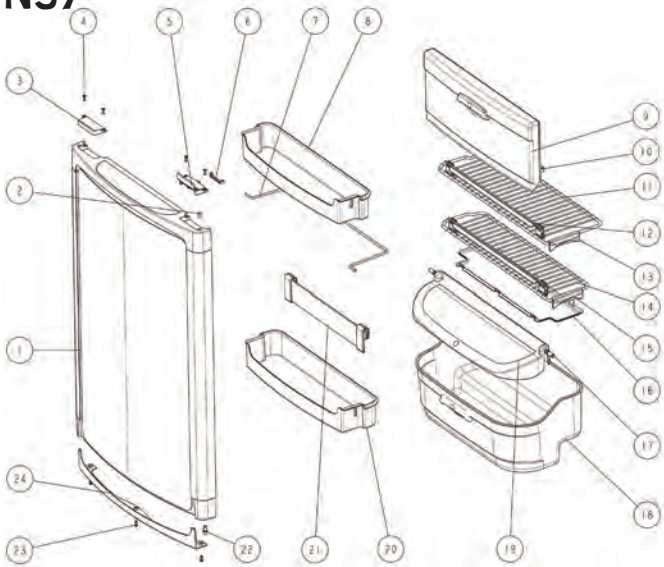
### N90 pre 2005 SES

| No.      | Spare part              | Single part           | Assembly                |
|----------|-------------------------|-----------------------|-------------------------|
| 4        | Door flat low 525       | 628157R               |                         |
| 4        | Door flat high 525      | 625573R               |                         |
| 10 - 11A | Latch assembly          |                       | 623024                  |
| 11A      | Storage strap           | 624679 <b>089277</b>  | <b>089091</b>           |
| 13       | Door bin                | 623049 <b>089082</b>  |                         |
| 14       | Door bin                | 624024 <b>089083</b>  |                         |
| 15 - 17  | Bottle retainer strap   |                       | 623042<br><b>089078</b> |
| 18       | Freezer door complete   |                       | 623036                  |
|          | Freezer door hinge (2)  | 624680 <b>089238</b>  |                         |
| 19       | Shelf food retainer (2) | 624456                |                         |
| 20       | Shelf tray insert       | 623634 <b>089270</b>  |                         |
| 21       | Vegetable bin           | 623617 <b>089285</b>  |                         |
| 22       | Latch bottom            | 624001                |                         |
| 25       | Flip top cover          | 623615 <b>089236</b>  |                         |
| 26       | Clip shelf small        | 623626 <b>089093</b>  |                         |
| 27       | Cap (x2)                | 623622                |                         |
| 28       | Clip shelf large        | 623625 <b>089094</b>  |                         |
| 29       | Shelf                   | 623047 <b>089259</b>  |                         |
| 30       | Fin clip (x6)           | 623023                |                         |
| 31       | Shelf                   | 623048 <b>089260</b>  |                         |
| 34       | Interior light switch   | 623018                |                         |
| 35       | Interior light cover    | 624002 <b>089079A</b> |                         |
| 36       | Interior light bulb     | 624003 <b>089079</b>  |                         |

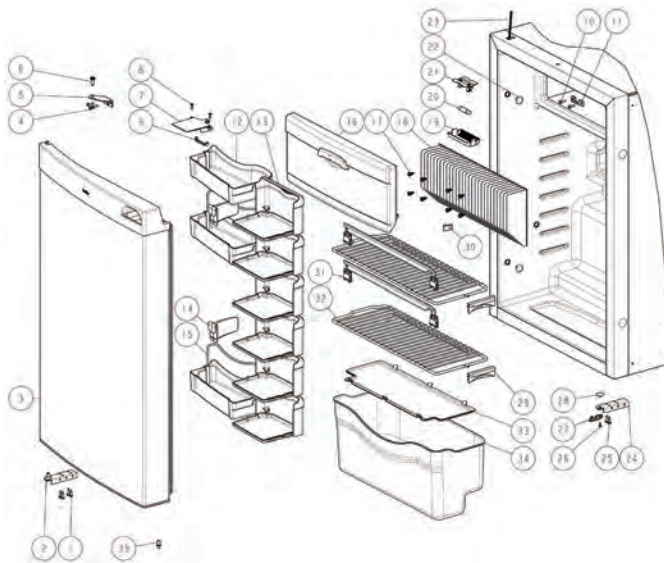
### Front N90 post 2005 EES



### N97



### N98



| No. | Spare part              | Single part          | Assembly      |
|-----|-------------------------|----------------------|---------------|
| 1   | Door flat low 525       | 625091               |               |
| 5   | Latch V2                |                      | 626985        |
| 6   | Latch strap V2          | 626956               | <b>089240</b> |
| 8   | Door bin                | 623049 <b>089082</b> |               |
| 9   | Freezer door            |                      | 623043        |
| 10  | Freezer door hinge (2)  | 624680 <b>089238</b> | <b>089239</b> |
| 11  | shelf                   | 623048 <b>089260</b> |               |
| 12  | Shelf food retainer (2) | 624456               |               |
| 13  | Clip shelf large        | 623625 <b>089094</b> |               |
| 14  | Shelf                   | 623047 <b>089259</b> |               |
| 15  | Clip shelf small        | 623626 <b>089093</b> |               |
| 16  | Shelf tray insert       | 623634 <b>089270</b> |               |
| 18  | Vegetable bin           | 623617 <b>089285</b> |               |
| 19  | Flip top cover          | 623615 <b>089236</b> |               |
| 20  | Door bin                | 624024 <b>089083</b> |               |
| 21  | Bottle retainer         | 623042 <b>089078</b> |               |

| No. | Spare part              | Single part          | Assembly      |
|-----|-------------------------|----------------------|---------------|
| 1   | Door curved low 525     | 626984               |               |
| 5   | Latch V2                |                      | 626985        |
| 6   | Latch strap V2          | 626956               | <b>089240</b> |
| 8   | Door bin                | 624026               |               |
| 9   | Freezer door            |                      | 623043        |
| 10  | Freezer door hinge (2)  | 624680 <b>089238</b> | <b>089239</b> |
| 11  | shelf                   | 623048 <b>089260</b> |               |
| 12  | Shelf food retainer (2) | 624456               |               |
| 13  | Clip shelf large        | 623625 <b>089094</b> |               |
| 14  | Shelf                   | 623047 <b>089259</b> |               |
| 15  | Clip shelf small        | 623626 <b>089093</b> |               |
| 16  | Shelf tray insert       | 623634 <b>089270</b> |               |
| 18  | Vegetable bin           | 623617 <b>089285</b> |               |
| 19  | Flip top cover          | 623615 <b>089236</b> |               |
| 20  | Door bin                | 623053 <b>089220</b> |               |
| 21  | Bottle retainer         | 623042 <b>089078</b> |               |

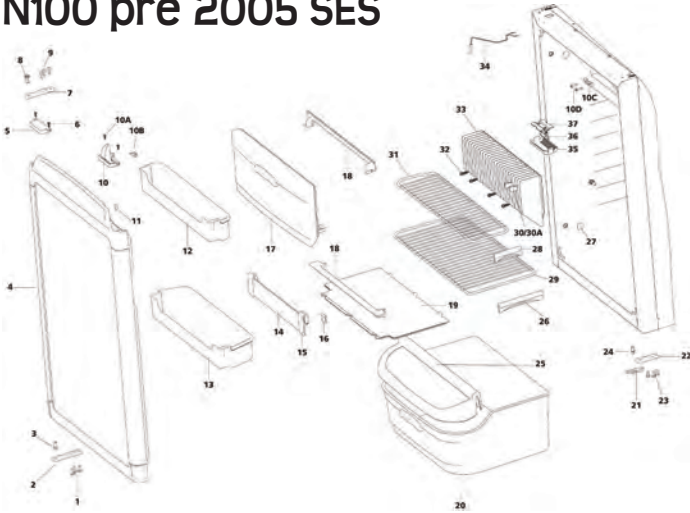
| No.   | Spare part             | Single part                        | Assembly      |
|-------|------------------------|------------------------------------|---------------|
| 1     | Door various colours   | 629169R, 629198R, 629199R, 629200R |               |
| 7 - 8 | Latch V3               |                                    | 629744        |
| 9     | Latch strap V3         | 626986                             |               |
| 12    | Door bin               | 629745                             |               |
| 13    | Door bin               | 629747                             |               |
| 14    | Bottle retainer        | 626989                             |               |
| 16    | Freezer door           |                                    | 623043        |
|       | Freezer door hinge (2) | 624680 <b>089238</b>               | <b>089239</b> |
| 19    | Interior light bulb    | 624003 <b>089079</b>               |               |
| 20    | Interior light cover   | 624002 <b>089079A</b>              |               |
| 22    | Cap (2)                | 623622                             |               |
| 23    | Interior light switch  | 623018                             |               |
| 27    | Latch bottom           | 624001                             |               |
| 29    | Clip shelf small       | 623626 <b>089093</b>               |               |
| 30    | Fin clip (6)           | 623023                             |               |
| 31    | Shelf food retainer    | 624457                             |               |
| 32    | Shelf                  | 631738                             |               |
| 33    | Shelf tray insert      | 631739                             |               |
| 34    | Vegetable bin          | 631740                             |               |



# Section 7

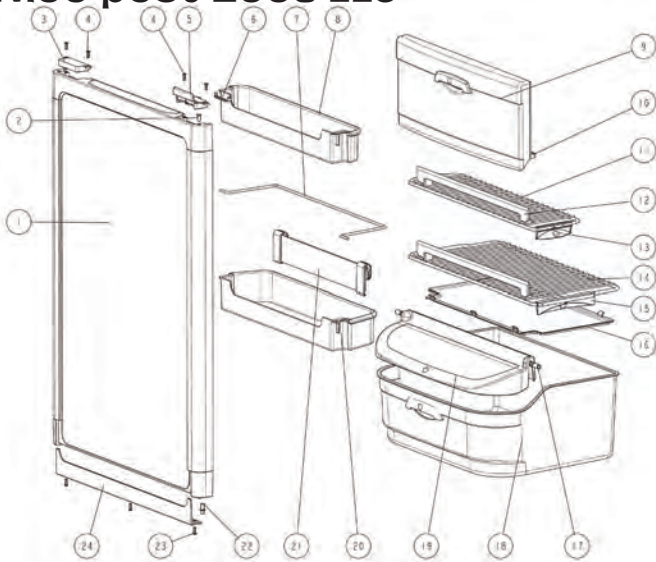
Theftford spares

## Front N100 pre 2005 SES



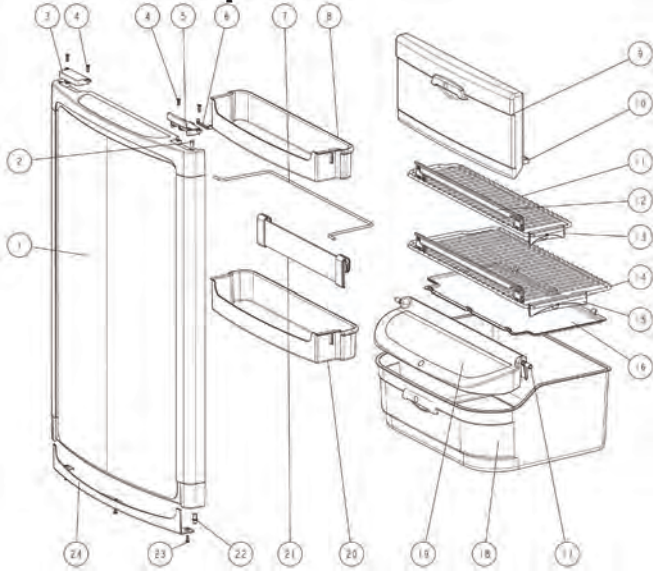
| No.     | Spare part              | Single part           | Assembly      |
|---------|-------------------------|-----------------------|---------------|
| 1       | Door flat low 525       | 628157R               |               |
| 1       | Door flat high 525      | 625573R               |               |
| 10      | Latch V1                |                       | 623024        |
| 10b     | Latch strap V1          | 624679 <b>089277</b>  | <b>089091</b> |
| 12      | Door bin                | 623049 <b>089082</b>  |               |
| 13      | Door bin                | 624024 <b>089083</b>  |               |
| 14 - 16 | Bottle retainer strap   | 623042 <b>089078</b>  |               |
| 17      | Freezer door            |                       | 623043        |
|         | Freezer door hinge (2)  | 624680 <b>089238</b>  | <b>089239</b> |
| 18      | Shelf food retainer (2) | 624456                |               |
| 19      | Shelf tray insert       | 623635                |               |
| 20      | Vegetable bin           | 623618 <b>089286</b>  |               |
| 21      | Latch bottom            | 624001                |               |
| 25      | Flip top cover          | 623615 <b>089236</b>  |               |
| 26      | Clip shelf large        | 623625 <b>089094</b>  |               |
| 27      | Cap (x2)                | 623622                |               |
| 28      | Clip shelf small        | 623626 <b>089093</b>  |               |
| 29      | Shelf                   | 623055 <b>089261</b>  |               |
| 30      | Fin clip (x6)           | 623023                |               |
| 31      | Shelf                   | 623047 <b>089259</b>  |               |
| 34      | Interior light switch   | 623018                |               |
| 35      | Interior light cover    | 624002 <b>089079A</b> |               |
| 36      | Interior light bulb     | 624003 <b>089079</b>  |               |

## N100 post 2005 EES



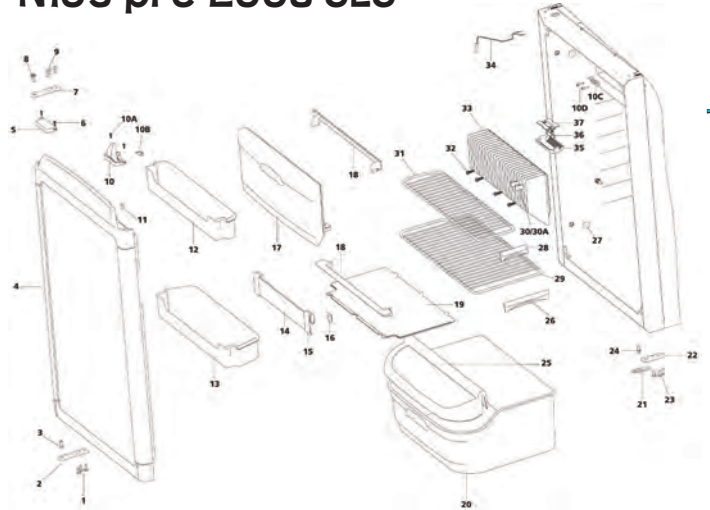
| No. | Spare part              | Single part          | Assembly      |
|-----|-------------------------|----------------------|---------------|
| 1   | Door flat low 525       | 628157R              |               |
| 5   | Latch V2                |                      | 626985        |
| 6   | Latch strap V2          | 626956               | <b>089240</b> |
| 8   | Door bin                | 623049 <b>089082</b> |               |
| 9   | Freezer door            |                      | 623043        |
| 10  | Freezer door hinge (2)  | 624680 <b>089238</b> | <b>089239</b> |
| 11  | shelf                   | 623047 <b>089259</b> |               |
| 12  | Shelf food retainer (2) | 624456               |               |
| 13  | Clip shelf small        | 623626 <b>089093</b> |               |
| 14  | Shelf                   | 623047 <b>089259</b> |               |
| 15  | Clip shelf large        | 623625 <b>089094</b> |               |
| 16  | Shelf tray insert       | 623635               |               |
| 18  | Vegetable bin           | 623618 <b>089286</b> |               |
| 19  | Flip top cover          | 623615 <b>089236</b> |               |
| 20  | Door bin                | 624024 <b>089083</b> |               |
| 21  | Bottle retainer         | 623042 <b>089078</b> |               |

### Front N104/N109 post 2005 EES



| No. | Spare part              | Single part          | Assembly      |
|-----|-------------------------|----------------------|---------------|
| 1   | Door curved low 525     | 626984               |               |
| 5   | Latch V2                |                      | 626985        |
| 6   | Latch strap V2          | 626956               | <b>089240</b> |
| 8   | Door bin                | 624025 <b>089218</b> |               |
| 9   | Freezer door            |                      | 623043        |
| 10  | Freezer door hinge (2)  | 624680 <b>089238</b> | <b>089239</b> |
| 11  | shelf                   | 623047 <b>089259</b> |               |
| 12  | Shelf food retainer (2) | 624457               |               |
| 13  | Clip shelf small        | 623626 <b>089093</b> |               |
| 14  | Shelf                   | 623055 <b>089261</b> |               |
| 15  | Clip shelf large        | 623625 <b>089094</b> |               |
| 16  | Shelf tray insert       | 623635               |               |
| 18  | Vegetable bin           | 623618 <b>089286</b> |               |
| 19  | Flip top cover          | 623615 <b>089236</b> |               |
| 20  | Door bin                | 623053 <b>089220</b> |               |
| 21  | Bottle retainer         | 623042 <b>089078</b> |               |

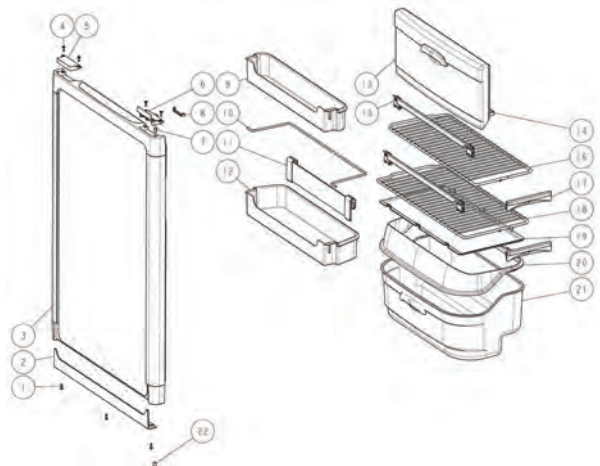
### N109 pre 2005 SES



| No.     | Spare part              | Single part           | Assembly      |
|---------|-------------------------|-----------------------|---------------|
| 1       | Door curved high 525    | 625093                |               |
| 10      | Latch V1                |                       | 623024        |
| 10b     | Latch strap V1          | 624679 <b>089277</b>  | <b>089091</b> |
| 12      | Door bin                | 624025 <b>089218</b>  |               |
| 13      | Door bin                | 623053 <b>089220</b>  |               |
| 14 - 16 | Bottle retainer strap   | 623042 <b>089078</b>  |               |
| 17      | Freezer door            |                       | 623043        |
|         | Freezer door hinge (2)  | 624680 <b>089238</b>  | <b>089239</b> |
| 18      | Shelf food retainer (2) | 624457                |               |
| 19      | Shelf tray insert       | 623635                |               |
| 20      | Vegetable bin           | 623618 <b>089286</b>  |               |
| 21      | Latch bottom            | 624001                |               |
| 25      | Flip top cover          | 623615 <b>089236</b>  |               |
| 26      | Clip shelf large        | 623625 <b>089094</b>  |               |
| 27      | Cap (x2)                | 623622                |               |
| 28      | Clip shelf small        | 623626 <b>089093</b>  |               |
| 29      | Shelf                   | 623055 <b>089261</b>  |               |
| 30      | Fin clip (x6)           | 623023                |               |
| 31      | Shelf                   | 623047 <b>089259</b>  |               |
| 34      | Interior light switch   | 623018                |               |
| 35      | Interior light cover    | 624002 <b>089079A</b> |               |
| 36      | Interior light bulb     | 624003 <b>089079</b>  |               |

| No.     | Spare part              | Single part          | Assembly      |
|---------|-------------------------|----------------------|---------------|
| 1       | Door flat low 525       | 628157R              |               |
| 1       | Door flat high 525      | 625573R              |               |
| 6 - 7   | Latch V2                |                      | 626985        |
| 8       | Latch strap V2          | 626956               | <b>089240</b> |
| 9       | Door bin                | 623049 <b>089082</b> |               |
| 10 - 11 | Bottle retainer         | 623042 <b>089078</b> |               |
| 12      | Door bin                | 624024 <b>089083</b> |               |
| 13      | Freezer door            |                      | 623043        |
| 14      | Freezer door hinge (2)  | 624680 <b>089238</b> | <b>089239</b> |
| 15      | Shelf food retainer (2) | 624457               |               |
| 16      | Shelf                   | 623051 <b>089267</b> |               |
| 17      | Clip shelf large        | 623625 <b>089094</b> |               |
| 18      | Shelf                   | 626643 <b>089268</b> |               |
| 19      | Shelf tray insert       | 626642               |               |
| 20      | Top cover               | 626641 <b>089241</b> |               |
| 21      | Vegetable bin           | 623617 <b>089285</b> |               |

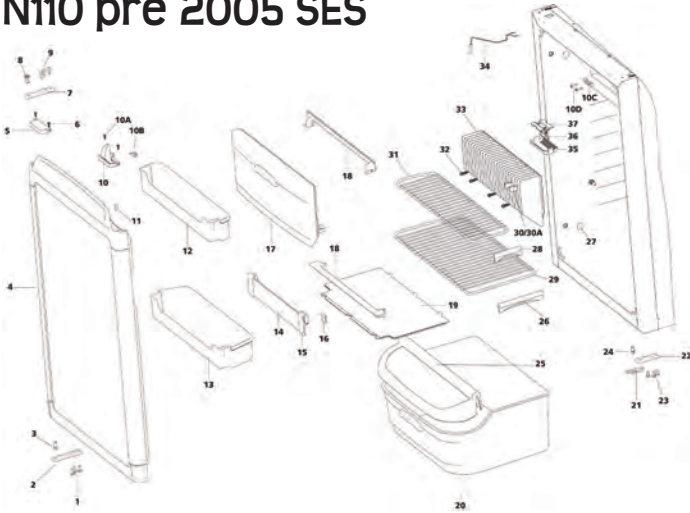
### N108



# Section 7

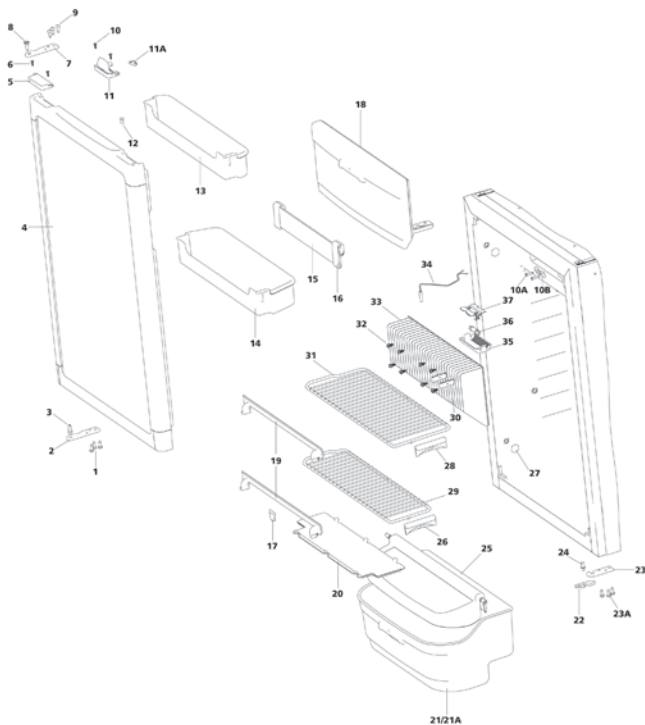
Theftford spares

## Front N110 pre 2005 SES



| No.     | Spare part               | Single part           | Assembly      |
|---------|--------------------------|-----------------------|---------------|
| 4       | Door tear curved low 525 | 627006                |               |
| 10      | Latch V1                 |                       | 623024        |
| 10b     | Latch strap V1           | 624679 <b>089277</b>  | <b>089091</b> |
| 12      | Door bin                 | 624025 <b>089223</b>  |               |
| 13      | Door bin                 | 623053 <b>089220</b>  |               |
| 14 - 16 | Bottle retainer strap    | 623042 <b>089078</b>  |               |
| 17      | Freezer door             |                       | 623043        |
|         | Freezer door hinge (2)   | 624680 <b>089238</b>  | <b>089239</b> |
| 18      | Shelf food retainer (2)  | 624456                |               |
| 19      | Shelf tray insert        | 623635                |               |
| 20      | Vegetable bin            | 623618 <b>089286</b>  |               |
| 21      | Latch bottom             | 624001                |               |
| 25      | Flip top cover           | 623615 <b>089236</b>  |               |
| 26      | Clip shelf large         | 623625 <b>089094</b>  |               |
| 27      | Cap (x2)                 | 623622                |               |
| 28      | Clip shelf small         | 623626 <b>089093</b>  |               |
| 29      | Shelf                    | 623055 <b>089261</b>  |               |
| 30      | Fin clip (x6)            | 623023                |               |
| 31      | Shelf                    | 623047 <b>089259</b>  |               |
| 34      | Interior light switch    | 623018                |               |
| 35      | Interior light cover     | 624002 <b>089079A</b> |               |
| 36      | Interior light bulb      | 624003 <b>089079</b>  |               |

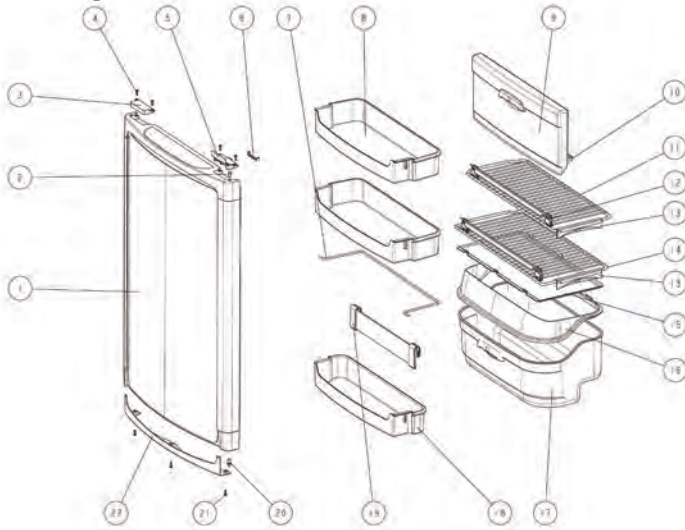
## N112 pre 2005 SES



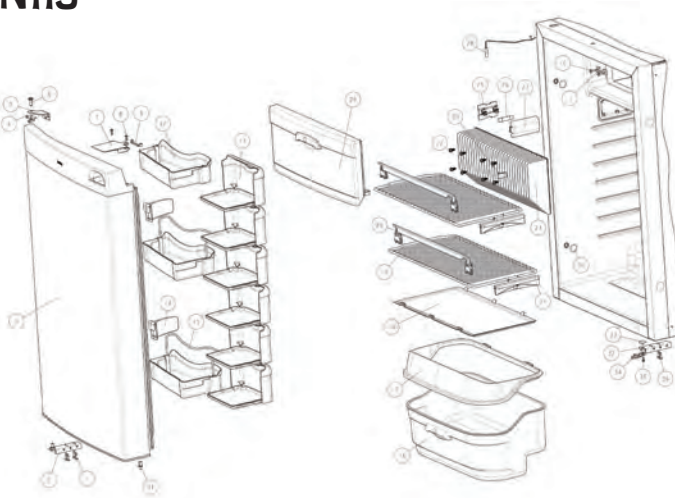
| No.      | Spare part             | Single part           | Assembly                |
|----------|------------------------|-----------------------|-------------------------|
| 4        | Door curved low 525    | 626984                |                         |
| 4        | Door curved high 525   | 625093                |                         |
| 10 - 11A | Latch assembly         |                       | 623024                  |
| 11A      | Storage strap          | 624679 <b>089277</b>  | <b>089091</b>           |
| 13       | Door bin               | 625102 <b>089227</b>  |                         |
| 14       | Door bin               | 623053 <b>089220</b>  |                         |
| 15 - 17  | Bottle retainer strap  |                       | 623042<br><b>089078</b> |
| 18       | Freezer door complete  |                       | 623043<br><b>089239</b> |
|          | Freezer door hinge (2) | 624680 <b>089238</b>  |                         |
| 19       | Shelf food retainer    | 624457                |                         |
| 20       | Shelf tray insert      | 626642                |                         |
| 21       | Vegetable bin          | 623617 <b>089285</b>  |                         |
| 22       | Latch bottom           | 624001                |                         |
| 25       | Top cover              | 626641 <b>089241</b>  |                         |
| 26       | Clip shelf large       | 623625 <b>089094</b>  |                         |
| 27       | Cap (x2)               | 623622                |                         |
| 28       | Clip shelf large       | 623625 <b>089094</b>  |                         |
| 29       | Shelf                  | 626643 <b>089268</b>  |                         |
| 30       | Fin clip (x6)          | 623023                |                         |
| 31       | Shelf                  | 623051 <b>089267</b>  |                         |
| 34       | Interior light switch  | 623018                |                         |
| 35       | Interior light cover   | 624002 <b>089079A</b> |                         |
| 36       | Interior light bulb    | 624003 <b>089079</b>  |                         |



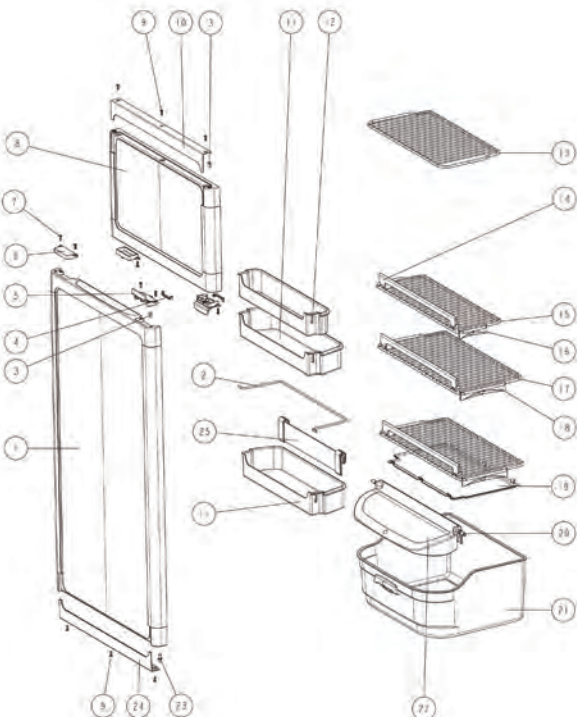
### Front N112 post 2005 EES



### N115



### N145



| No. | Spare part              | Single part          | Assembly      |
|-----|-------------------------|----------------------|---------------|
| 1   | Door curved low 525     | 626984               |               |
| 5   | Latch V2                |                      | 626985        |
| 6   | Latch strap V2          | 626956               | <b>089240</b> |
| 8   | Door bin                | 625102 <b>089227</b> |               |
| 9   | Freezer door            |                      | 623043        |
| 10  | Freezer door hinge (2)  | 624680 <b>089238</b> | <b>089239</b> |
| 11  | shelf                   | 623051 <b>089267</b> |               |
| 12  | Shelf food retainer (2) | 624457               |               |
| 13  | Clip shelf large        | 623625 <b>089094</b> |               |
| 14  | Shelf                   | 626643 <b>089268</b> |               |
| 15  | Shelf tray insert       | 626642               |               |
| 16  | Top cover               | 626641 <b>089241</b> |               |
| 17  | Vegetable bin           | 623617 <b>089285</b> |               |
| 20  | Door bin                | 623053 <b>089220</b> |               |
| 21  | Bottle retainer         | 623042 <b>089078</b> |               |

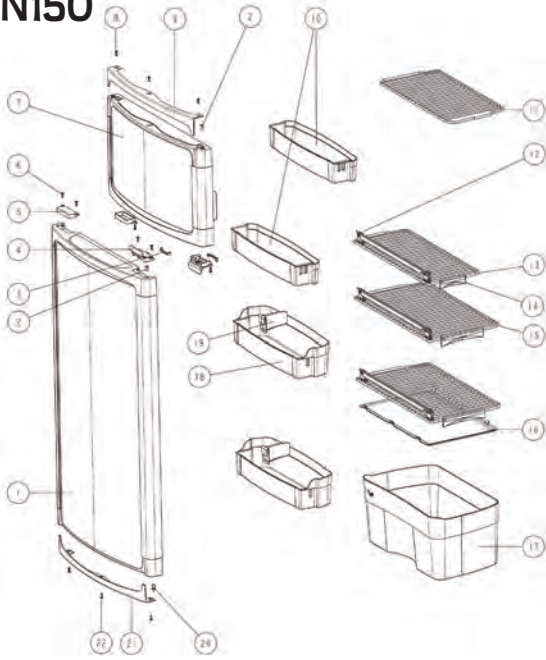
| No.   | Spare part             | Single part                                   | Assembly      |
|-------|------------------------|---|---------------|
| 1     | Door various colours   | 629169R, 629198R, 629199R, 629200R, 63060114R |               |
| 7 - 8 | Latch V3               |   | 629744        |
| 9     | Latch strap V3         | 626986  |               |
| 12    | Door bin               | 629745  |               |
| 13    | Door bin               | 629747  |               |
| 14    | Bottle retainer        | 626989  |               |
| 16    | Vegetable bin          | 623617 <b>089285</b>                          |               |
| 17    | Top cover              | 626641 <b>089241</b>                          |               |
| 18    | Shelf tray insert      | 626642  |               |
| 19    | Shelf                  | 623051 <b>089267</b>                          |               |
| 20    | Shelf food retainer    | 624457  |               |
| 21    | Clip shelf large       | 623625 <b>089094</b>                          |               |
| 23    | Fin clip (6)           | 623023  |               |
| 26    | Interior light bulb    | 624003 <b>089079</b>                          |               |
| 27    | Interior light cover   | 624002 <b>089079A</b>                         |               |
| 28    | Interior light switch  | 623018  |               |
| 29    | Freezer door           |   | 623043        |
|       | Freezer door hinge (2) | 624680 <b>089238</b>                          | <b>089239</b> |
| 30    | Cap (2)                | 623622  |               |
| 34    | Latch bottom           | 629721  |               |

| No. | Spare part               | Single part                                      | Assembly      |
|-----|--------------------------|--|---------------|
| 1   | Door flat double cab.    | 625094   |               |
| 5   | Latch V2                 |  | 626985        |
| 4   | Latch strap V2           | 626956   | <b>089240</b> |
| 8   | Door flat double freezer | 625095   |               |
| 11  | Door bin                 | 624023<br>white <b>089081</b> Blue <b>089222</b> |               |
| 12  | Door bin                 | 623040<br>white <b>089080</b> Blue <b>089219</b> |               |
| 13  | Shelf                    | 623633 <b>089262</b>                             |               |
| 14  | Shelf food retainer      | 624456   |               |
| 15  | Shelf                    | 623044 <b>089258</b>                             |               |
| 16  | Clip shelf small         | 623626 <b>089093</b>                             |               |
| 17  | Shelf                    | 623045   |               |
| 18  | Clip shelf large         | 623625 <b>089094</b>                             |               |
| 19  | Shelf tray insert        | 623636   |               |
| 21  | Vegetable bin            | 623619 <b>089287</b>                             |               |
| 22  | Flip top cover           | 623616 <b>089216</b>                             |               |

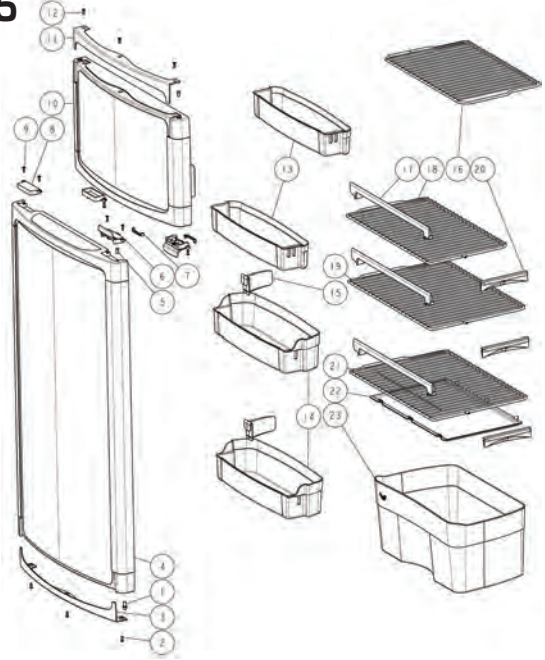
# Section 7

Theftford spares

## Front N150



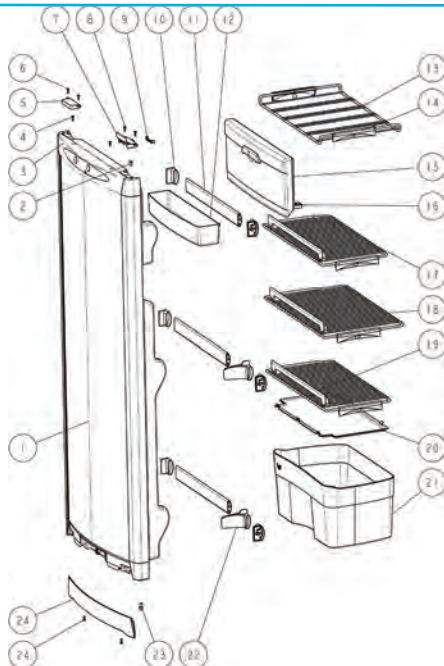
## N175



| No. | Spare part                | Single part          | Assembly      |
|-----|---------------------------|----------------------|---------------|
| 1   | Door curved double cab.   | 626982               |               |
| 5   | Latch V2                  |                      | 626985        |
| 4   | Latch strap V2            | 626956               | <b>089240</b> |
| 8   | Door curved double freez. | 626983               |               |
| 10  | Door bin                  | 626976 <b>089228</b> |               |
| 11  | Shelf                     | 623633 <b>089262</b> |               |
| 12  | Shelf food retainer       | 624457               |               |
| 13  | Shelf                     | 626978 <b>089263</b> |               |
| 14  | Clip shelf large          | 623625 <b>089094</b> |               |
| 15  | Shelf                     | 626979 <b>089264</b> |               |
| 16  | Shelf tray insert         | 626981               |               |
| 17  | Vegetable bin             | 626980 <b>089299</b> |               |
| 18  | Door bin                  | 626977 <b>089217</b> |               |
| 19  | Bottle retainer           | 626989               |               |

| No. | Spare part                | Single part          | Assembly      |
|-----|---------------------------|----------------------|---------------|
| 4   | Door curved double cab.   | 626982               |               |
| 6   | Latch V2                  |                      | 626985        |
| 7   | Latch strap V2            | 626956               | <b>089240</b> |
| 10  | Door curved double freez. | 626983               |               |
| 13  | Door bin                  | 626976 <b>089228</b> |               |
| 14  | Door bin                  | 626977 <b>089217</b> |               |
| 15  | Bottle retainer           | 626989               |               |
| 16  | Shelf                     | 631741               |               |
| 17  | Shelf food retainer       | 624457               |               |
| 18  | Shelf                     | 631742               |               |
| 19  | Shelf                     | 631743               |               |
| 20  | Clip shelf large          | 623625 <b>089094</b> |               |
| 21  | Shelf                     | 631744               |               |
| 22  | Shelf tray insert         | 626981               |               |
| 23  | Vegetable bin             | 631745               |               |

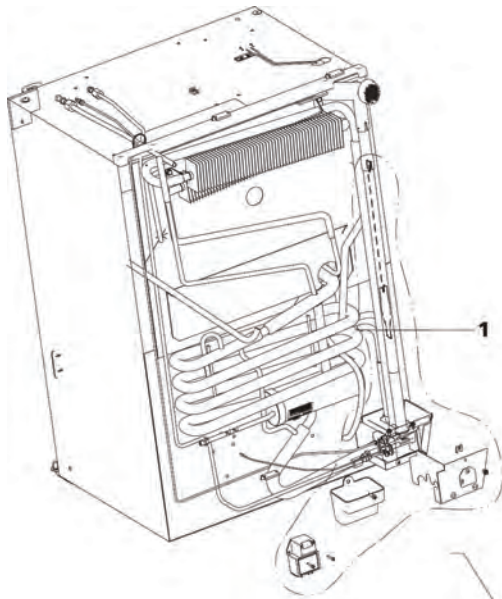
## N180



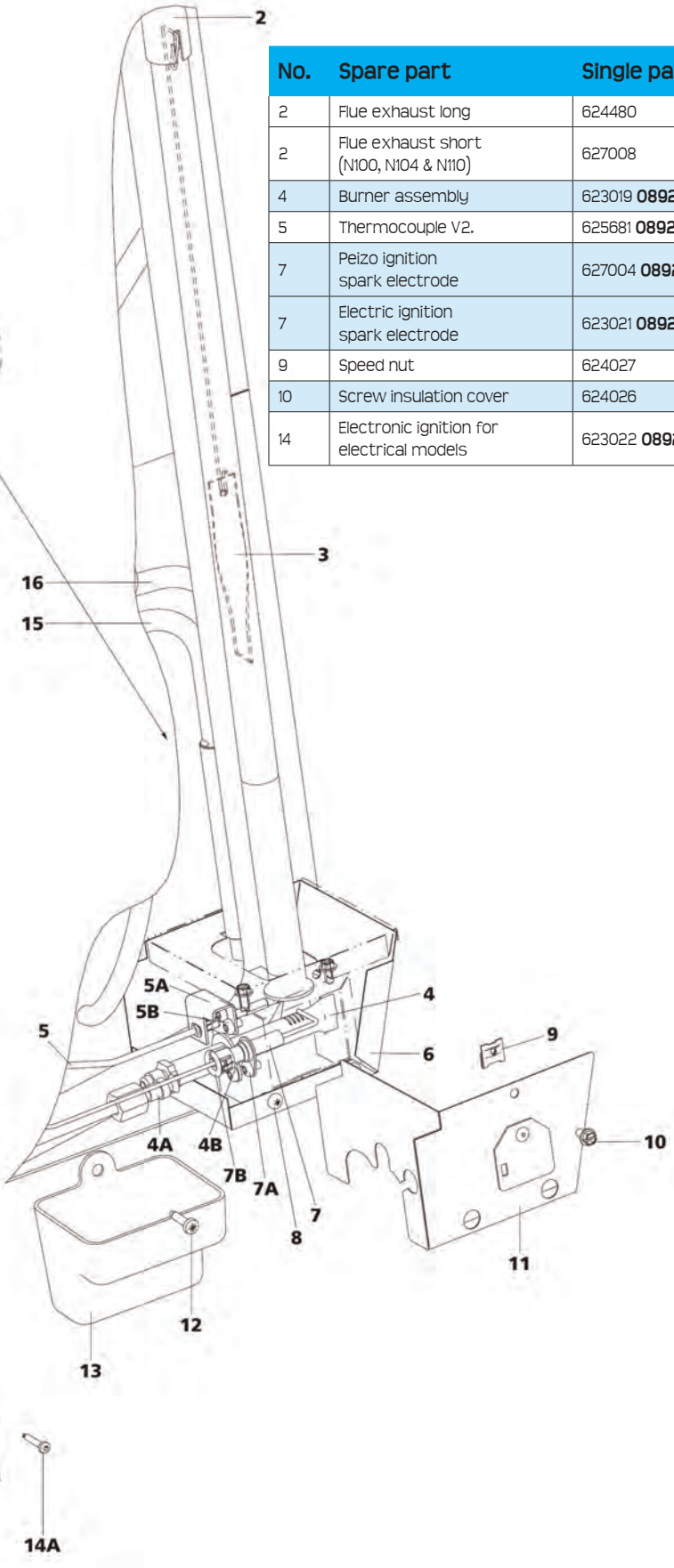
| No.   | Spare part             | Single part          | Assembly      |
|-------|------------------------|----------------------|---------------|
| 1     | Door curved XL 525     | 629742               |               |
| 6 - 7 | Latch V2               |                      | 626985        |
| 8     | Latch strap V2         | 626956               | <b>089240</b> |
| 12    | Door bin               | 629719               |               |
| 13    | Shelf bottle           | 629725               |               |
| 14    | Clip shelf large       | 623625 <b>089094</b> |               |
| 15    | Freezer door           |                      | 623043        |
| 16    | Freezer door hinge (2) | 624680 <b>089238</b> | <b>089239</b> |
| 17    | Shelf                  | 629726               |               |
| 18    | Shelf                  | 629727               |               |
| 19    | Shelf food retailer    | 624456               |               |
| 20    | Shelf tray insert      | 626981               |               |
| 21    | Vegetable bin          | 626980 <b>089299</b> |               |
| 22    | Bottle retainer        | 626989 <b>089200</b> |               |



# Back All original N range fridges



| No. | Spare part                                | Single part          |
|-----|---|----------------------|
| 2   | Flue exhaust long                         | 624480               |
| 2   | Flue exhaust short (N100, N104 & N110)    | 627008               |
| 4   | Burner assembly                           | 623019 <b>089202</b> |
| 5   | Thermocouple V2.                          | 625681 <b>089282</b> |
| 7   | Peizo ignition spark electrode            | 627004 <b>089274</b> |
| 7   | Electric ignition spark electrode         | 623021 <b>089273</b> |
| 9   | Speed nut                                 | 624027               |
| 10  | Screw insulation cover                    | 624026               |
| 14  | Electronic ignition for electrical models | 623022 <b>089212</b> |



## Heaters

### Fridge elements



**16.** 12V, 147W  
626993 **089234**

**16.** 12V, 140W  
626995 **089235**

**15.** 230V, 200W  
626992 **089229**

**15.** 230V, 140W  
626994 **089230**

**15.** 230V, 140W  
623064 **089231**

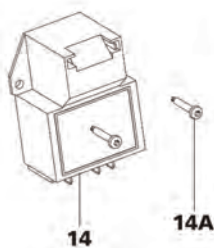
**15.** 235V, 157W  
2628450 **089232**

If you are unsure which heating element to use please speak to your sales contact with the model number and production date of the fridge.

To identify the production date use the serial number.

- E.g. E128A6987
- E= standard for all fridges
- 128 = day 128 of that year
- A = production year 2002 (see below)
- 6987 = Thetford code and not relevant

- |          |               |
|----------|---------------|
| A - 2002 | I - 18-1-2009 |
| C - 2003 | K - 2009      |
| D - 2004 | L - 2010      |
| E - 2005 | M - 2011      |
| F - 2006 | N - 2012      |
| G - 2007 | P - 2013      |
| H - 2008 | R - 2014      |

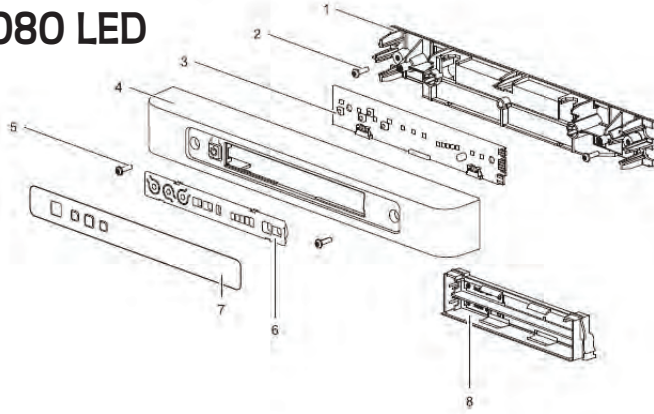




# Section 7

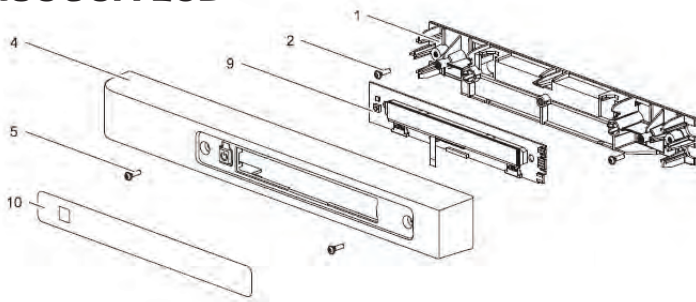
Theftford spares

## Controls N3080 LED



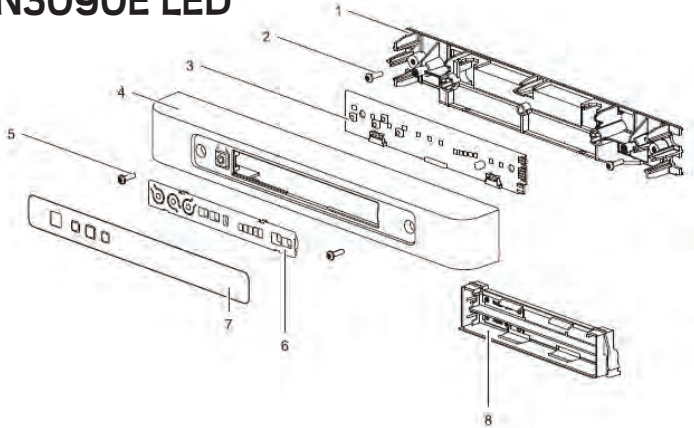
| No.   | Spare part           | Single part | Assembly |
|-------|----------------------|-------------|----------|
| 1 & 7 | Technical panel flat |             | 690806   |
| 3 & 7 | PCB LED DM           |             | 690805   |
| 4 & 7 | Housing flat wide    |             | 690807   |
| 6 & 7 | Overlay              |             | 690808   |
| 7     | Sticker              | 690809      |          |
|       | Battery pack         | 690225      |          |

## N3090A LCD



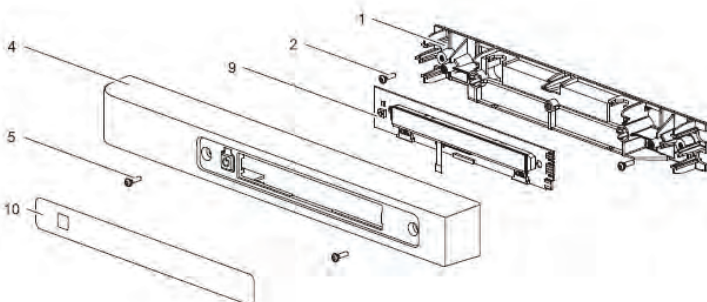
| No.    | Spare part                            | Single part | Assembly |
|--------|---------------------------------------|-------------|----------|
| 1 & 10 | Technical panel flat                  |             | 690846   |
| 4 & 10 | Housing flat wide<br>For left hinged  |             | 690820   |
| 4 & 10 | Housing flat wide<br>For right hinged |             | 690819   |
| 9 & 10 | PCB LCD                               |             | 690821   |
| 7      | Sticker                               | 690822      |          |

## N3090E LED



| No.   | Spare part                            | Single part | Assembly |
|-------|---------------------------------------|-------------|----------|
| 1 & 7 | Technical panel flat                  |             | 690806   |
| 3 & 7 | PCB LED DM                            |             | 690805   |
| 4 & 7 | Housing flat wide<br>For left hinged  |             | 690820   |
| 4 & 7 | Housing flat wide<br>For right hinged |             | 690819   |
| 6 & 7 | Overlay                               |             | 690808   |
| 7     | Sticker                               | 690809      |          |
|       | Battery pack                          | 690225      |          |

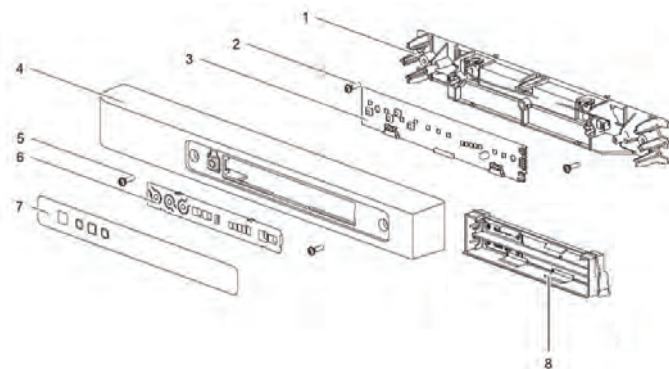
## N3100/3108/3145A LCD



| No.    | Spare part                            | Single part | Assembly |
|--------|---------------------------------------|-------------|----------|
| 1 & 10 | Technical panel flat                  |             | 690846   |
| 4 & 10 | Housing flat wide<br>For left hinged  |             | 690848   |
| 4 & 10 | Housing flat wide<br>For right hinged |             | 690847   |
| 9 & 10 | PCB LCD                               |             | 690821   |
| 7      | Sticker                               | 690822      |          |

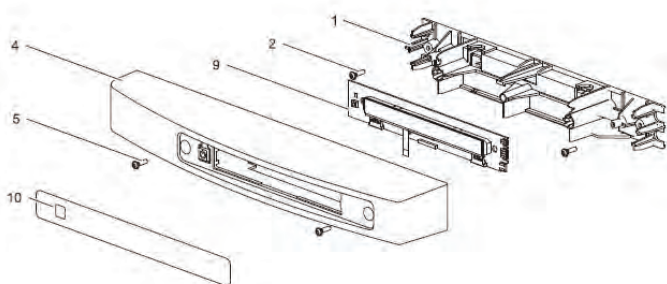
## Controls

### N3100/3108/3145E LED



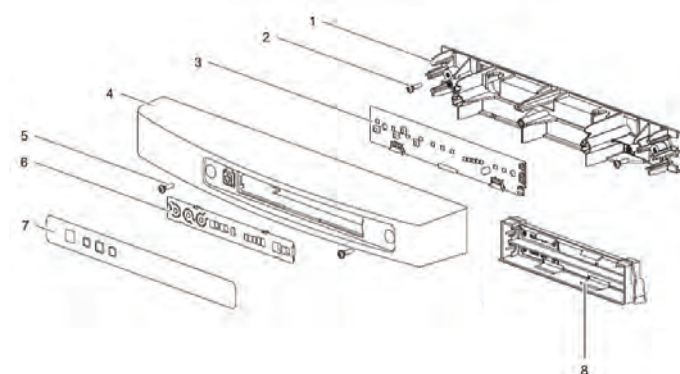
| No.   | Spare part                            | Single part | Assembly |
|-------|---------------------------------------|-------------|----------|
| 1 & 7 | Technical panel flat                  |             | 690806   |
| 3 & 7 | PCB LED DM                            |             | 690805   |
| 4 & 7 | Housing flat wide<br>For left hinged  |             | 690820   |
| 4 & 7 | Housing flat wide<br>For right hinged |             | 690819   |
| 6 & 7 | Overlay                               |             | 690808   |
| 7     | Sticker                               | 690809      |          |
|       | Battery pack                          | 690225      |          |

### N3097/3104/3112/3150/3175A LCD



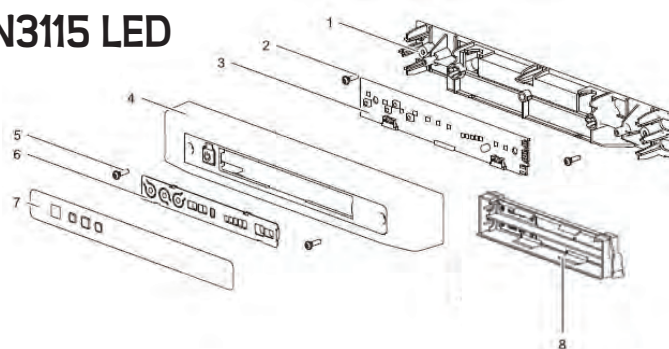
| No.    | Spare part                              | Single part | Assembly |
|--------|---|-------------|----------|
| 1 & 10 | Technical panel curved                  |             | 690849   |
| 4 & 10 | Housing curved wide<br>For left hinged  |             | 690851   |
| 4 & 10 | Housing curved wide<br>For right hinged |             | 690850   |
| 9 & 10 | PCB LCD                                 |             | 690821   |
| 7      | Sticker                                 | 690822      |          |

### N3097/3104/3112/3150/3175E LED



| No.   | Spare part                              | Single part | Assembly |
|-------|---|-------------|----------|
| 1 & 7 | Technical panel curved                  |             | 690825   |
| 3 & 7 | PCB LED DM                              |             | 690805   |
| 4 & 7 | Housing curved wide<br>For left hinged  |             | 690827   |
| 4 & 7 | Housing curved wide<br>For right hinged |             | 690826   |
| 6 & 7 | Overlay                                 |             | 690808   |
| 7     | Sticker                                 | 690809      |          |
|       | Battery pack                            | 690225      |          |

### N3115 LED



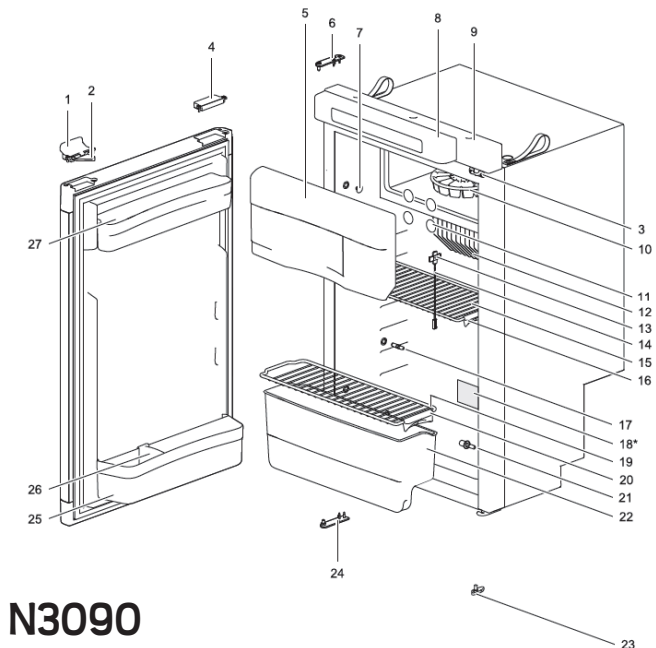
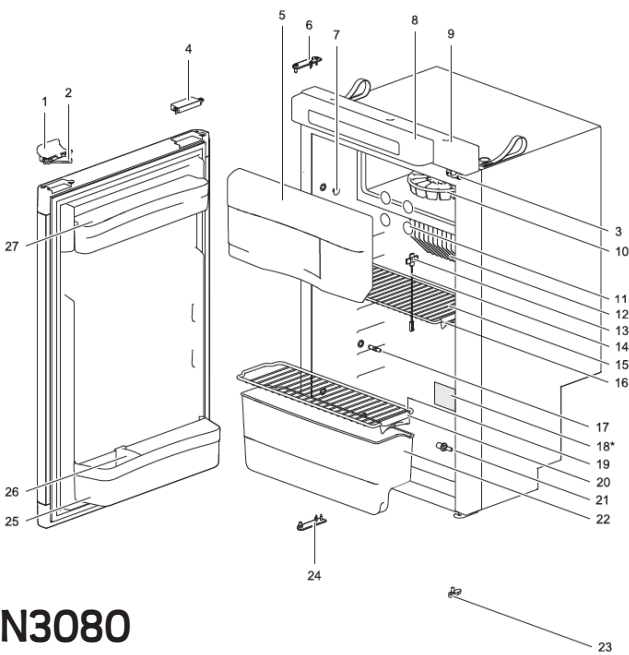
| No.   | Spare part           | Single part | Assembly |
|-------|----------------------|-------------|----------|
| 1 & 7 | Technical panel flat |             | 690806   |
| 3 & 7 | PCB LED DM           |             | 690805   |
| 4 & 7 | Housing flat wide    |             | 690835   |
| 6 & 7 | Overlay              |             | 690808   |
| 7     | Sticker              | 690809      |          |
|       | Battery pack         | 690225      |          |

## Front

### N3080, N3090, N3097, N3100, N3104, N3108, N3112, N3115

#### Common parts

| No. | Spare part               | Single part          | Assembly                |
|-----|--------------------------|----------------------|-------------------------|
| 1   | Latch                    |                      | 626985<br><b>089240</b> |
| 2   | Storage strap            | 626986 <b>089278</b> |                         |
| 3   | Strike plate             |                      |                         |
| 5   | Freezer door inc. hinges | 690852               |                         |
| 7   | Cap (2)                  | 623622               |                         |
| 11  | Cap freezer bolt (12)    | 624479               |                         |
| 13  | Fin clip                 | 623059               |                         |
| 14  | Thermistor               | 623077 <b>089280</b> |                         |



### N3080

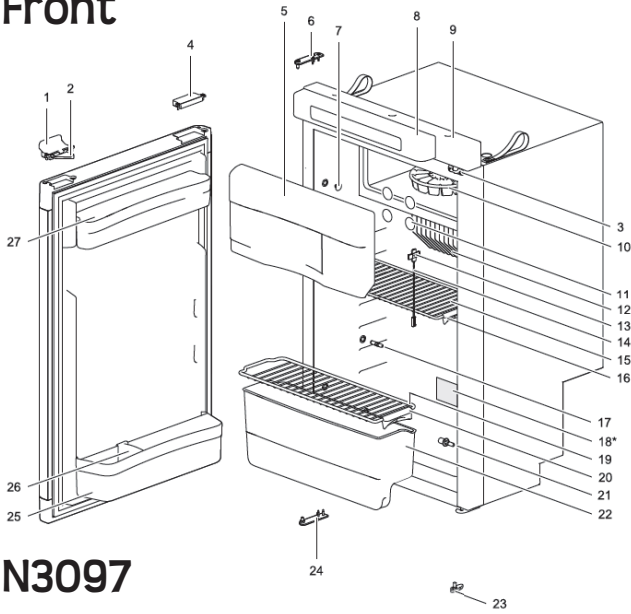
| No.     | Spare part            | Single part          |
|---------|-----------------------|----------------------|
| 15      | Shelf B               | 690800               |
| 16 / 20 | Clip shelf small      | 623626 <b>089093</b> |
| 19      | Shelf A               | 690801               |
| 22      | Vegetable bin         | 690802               |
| 23      | Latch bottom          | 624001               |
| 25      | Door bin flat wide    | 690804               |
| 26      | Bottle retainer       | 626989               |
| 27      | Door bin flat shallow | 690803               |

### N3090

| No.     | Spare part            | Single part          |
|---------|-----------------------|----------------------|
| 15      | Shelf D               | 690814               |
| 16 / 20 | Clip shelf small      | 623626 <b>089093</b> |
| 19      | Shelf C               | 690815               |
| 22      | Vegetable bin         | 690816               |
| 23      | Latch bottom          | 624001               |
| 25      | Door bin flat wide    | 690818               |
| 26      | Bottle retainer       | 626989               |
| 27      | Door bin flat shallow | 690817               |

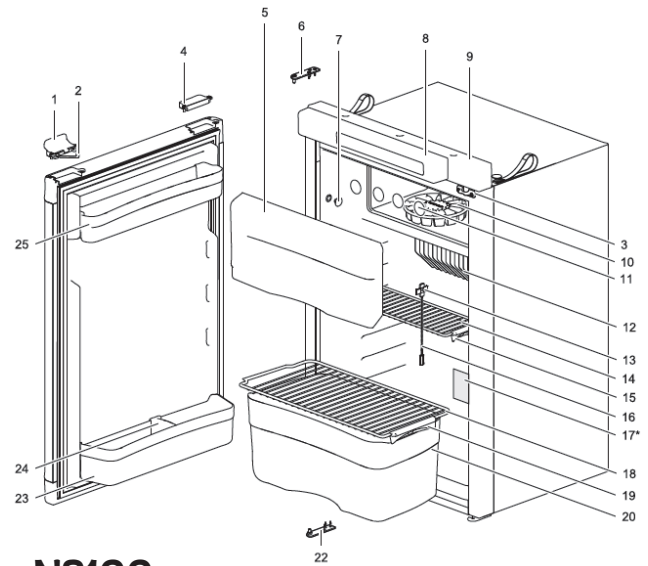


Front



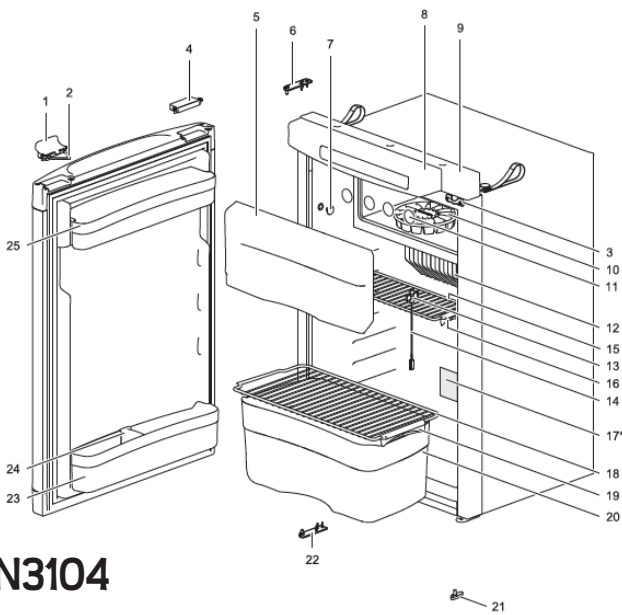
N3097

| No.     | Spare part              | Single part          |
|---------|-------------------------|----------------------|
| 15      | Shelf D                 | 690814               |
| 16 / 20 | Clip shelf small        | 623626 <b>089093</b> |
| 19      | Shelf C                 | 690815               |
| 22      | Vegetable bin           | 690816               |
| 23      | Latch bottom            | 624001               |
| 25      | Door bin curved wide    | 690824               |
| 26      | Bottle retainer         | 626989               |
| 27      | Door bin curved shallow | 690823               |



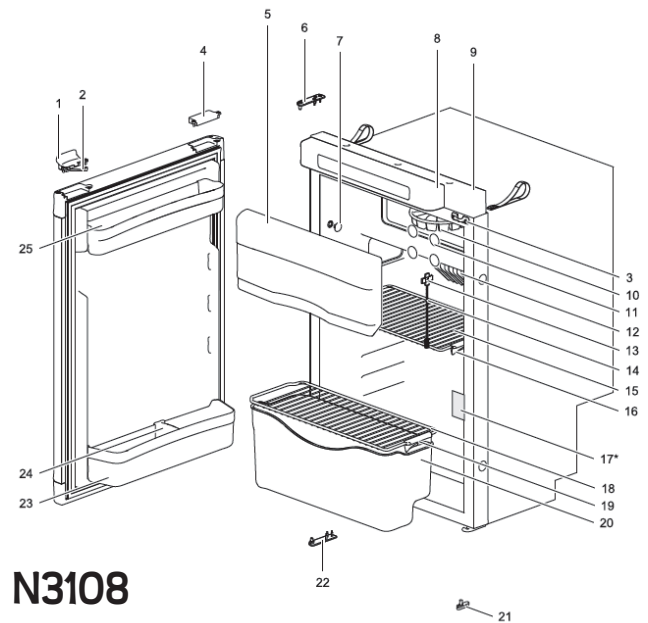
N3100

| No. | Spare part            | Single part          |
|-----|-----------------------|----------------------|
| 15  | Shelf C               | 690815               |
| 16  | Clip shelf small      | 623626 <b>089093</b> |
| 18  | Shelf F               | 690828               |
| 19  | Clip shelf large      | 623625 <b>089094</b> |
| 20  | Vegetable bin         | 690829               |
| 21  | Latch bottom          | 624001               |
| 25  | Door bin flat wide    | 690818               |
| 24  | Bottle retainer       | 626989               |
| 25  | Door bin flat shallow | 690817               |



N3104

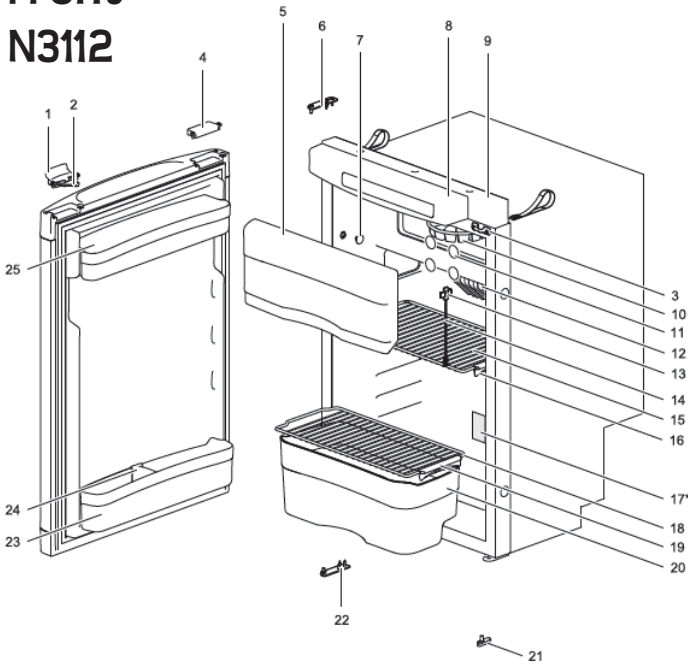
| No. | Spare part              | Single part          |
|-----|-------------------------|----------------------|
| 15  | Shelf C                 | 690815               |
| 16  | Clip shelf small        | 623626 <b>089093</b> |
| 18  | Shelf F                 | 690828               |
| 19  | Clip shelf large        | 623625 <b>089094</b> |
| 22  | Vegetable bin           | 690829               |
| 23  | Latch bottom            | 624001               |
| 25  | Door bin curved wide    | 690824               |
| 26  | Bottle retainer         | 626989               |
| 27  | Door bin curved shallow | 690823               |



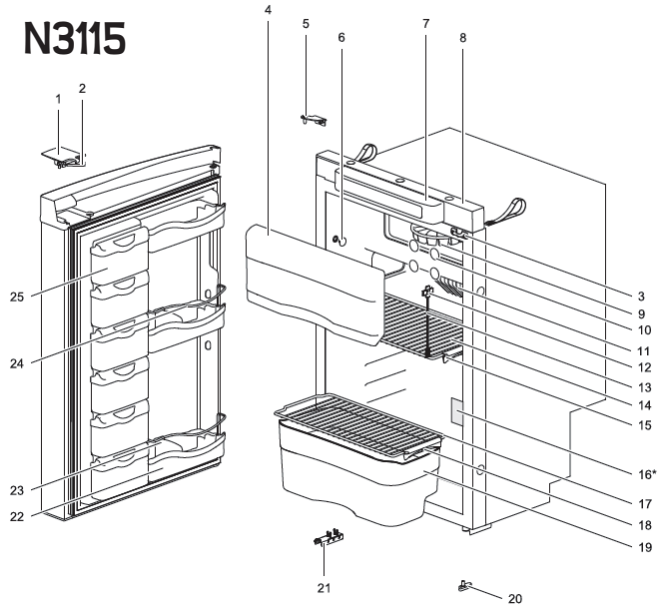
N3108

| No.     | Spare part              | Single part          |
|---------|-------------------------|----------------------|
| 15      | Shelf D                 | 690814               |
| 16 / 20 | Clip shelf small        | 623626 <b>089093</b> |
| 19      | Shelf C                 | 690815               |
| 22      | Vegetable bin           | 690816               |
| 23      | Latch bottom            | 624001               |
| 25      | Door bin curved wide    | 690824               |
| 26      | Bottle retainer         | 626989               |
| 27      | Door bin curved shallow | 690823               |

## Front N3112



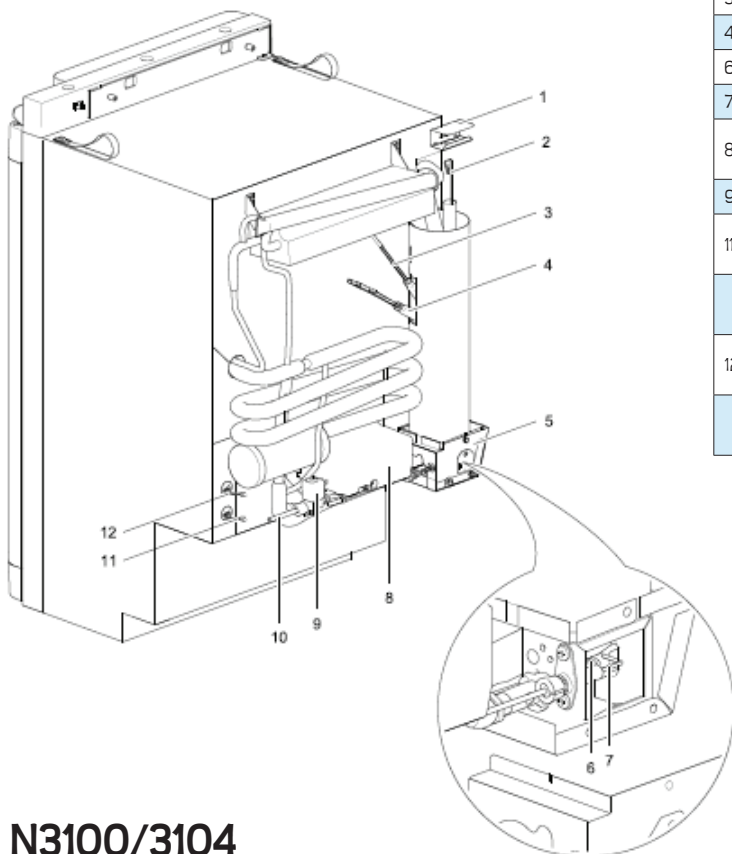
## N3115



| No.    | Spare part               | Single part             | Assembly                |
|--------|--------------------------|-------------------------|-------------------------|
| 1      | Latch                    |                         | 626985<br><b>089240</b> |
| 2      | Storage strap            | 626986<br><b>089278</b> |                         |
| 3      | Strike plate             |                         |                         |
| 5      | Freezer door inc. hinges | 690852                  |                         |
| 7      | Cap (2)                  | 623622                  |                         |
| 11     | Cap freezer bolt (12)    | 624479                  |                         |
| 13     | Fin clip                 | 623059                  |                         |
| 14     | Thermistor               | 623077                  |                         |
| 15/18  | Shelf E                  | 690831                  |                         |
| 16 /19 | Clip shelf large         | 623625<br><b>089094</b> |                         |
| 20     | Vegetable bin            | 690829                  |                         |
| 21     | Latch bottom             | 624001                  |                         |
| 23     | Door bin curved wide     | 690824                  |                         |
| 26     | Bottle retainer          | 626989                  |                         |
| 27     | Door bin curved shallow  | 690823                  |                         |

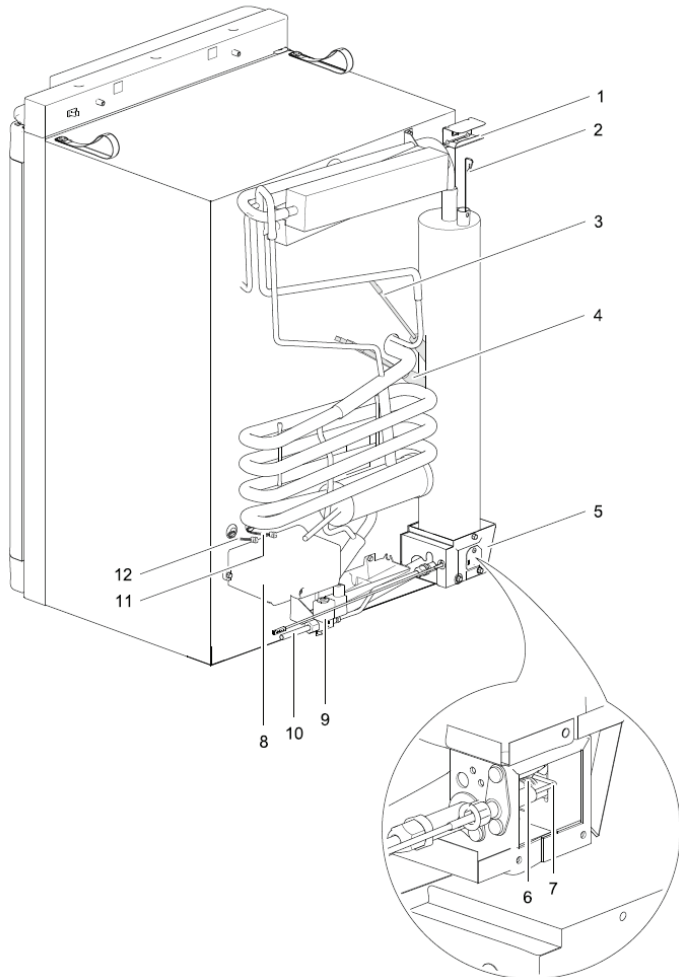
| No. | Spare part               | Single part             | Assembly                |
|-----|--------------------------|-------------------------|-------------------------|
| 1   | Latch                    |                         | 626985<br><b>089240</b> |
| 2   | Storage strap            | 626986<br><b>089278</b> |                         |
| 3   | Strike plate             |                         |                         |
| 4   | Freezer door inc. hinges | 690852                  |                         |
| 6   | Cap (2)                  | 623622                  |                         |
| 10  | Cap freezer bolt (12)    | 624479                  |                         |
| 12  | Fin clip                 | 623059                  |                         |
| 13  | Thermistor               | 623077                  |                         |
| 17  | Shelf E                  | 690831                  |                         |
| 18  | Clip shelf large         | 623625<br><b>089094</b> |                         |
| 19  | Vegetable bin            | 690834                  |                         |
| 20  | Latch bottom             | 629721                  |                         |
| 22  | Door bin                 | 629745                  |                         |
| 23  | Bottle retainer          | 626989                  |                         |
| 25  | Small door bin           | 629747                  |                         |

### Back N3080/3090/3097



| No. | Spare part                                      | Single part |
|-----|---|-------------|
| 1   | Heat cap  | 690812      |
| 3   | Heater AC 230v                                  | 633575      |
| 4   | Heater DC 12v                                   | 633574      |
| 6   | Burner assembly                                 | 634570      |
| 7   | Spark electrode                                 | 690813      |
| 8   | Power control board (including housing)         | 690811      |
| 9   | Gas valve                                       | 690810      |
| 11  | Thermistor cable (including connectors)         | 690853      |
|     | Connector temp. sensor cable (power board side) | 690855      |
| 12  | Communication cable (including connectors)      | 690854      |
|     | Connector comm. cable (power board side)        | 690856      |

### N3100/3104

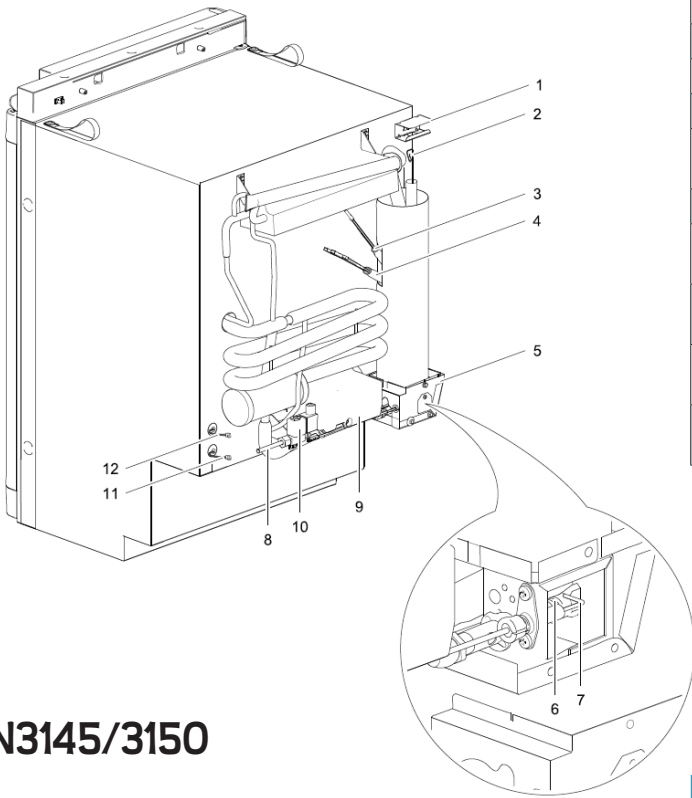


| No. | Spare part                                      | Single part |
|-----|---|-------------|
| 1   | Heat cap  | 690812      |
| 3   | Heater AC 230v                                  | 633575      |
| 4   | Heater DC 12v                                   | 633574      |
| 6   | Burner assembly                                 | 623019      |
| 7   | Spark electrode                                 | 690830      |
| 8   | Power control board (including housing)         | 690811      |
| 9   | Gas valve                                       | 690810      |
| 11  | Thermistor cable (including connectors)         | 690853      |
|     | Connector temp. sensor cable (power board side) | 690855      |
| 12  | Communication cable (including connectors)      | 690854      |
|     | Connector comm. cable (power board side)        | 690856      |



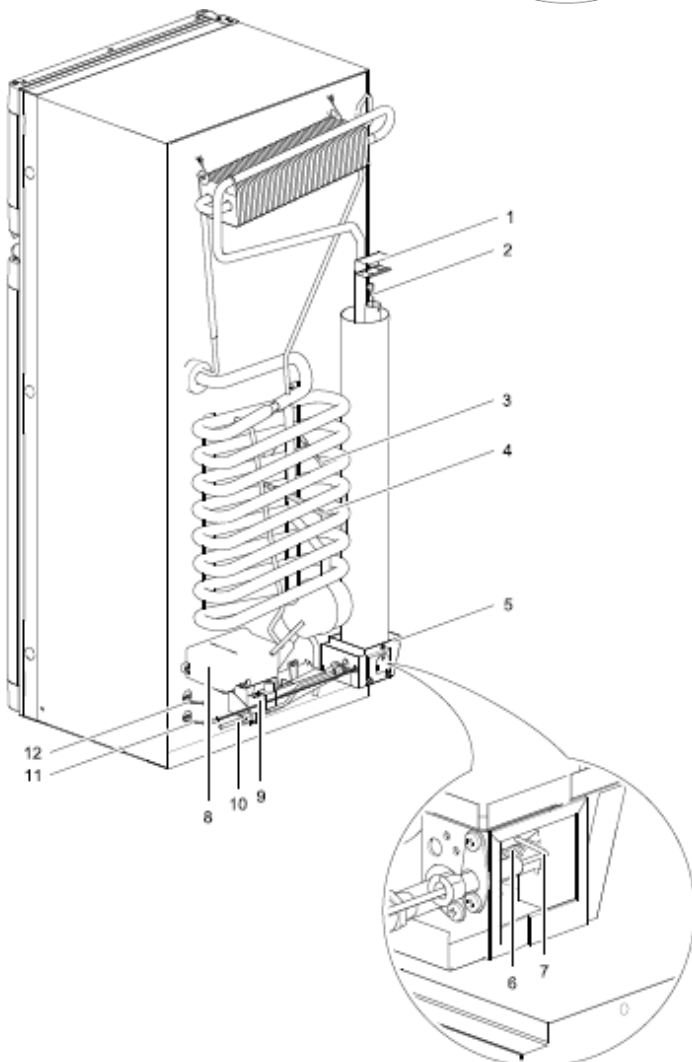
## Back

### N3108/3112/3115



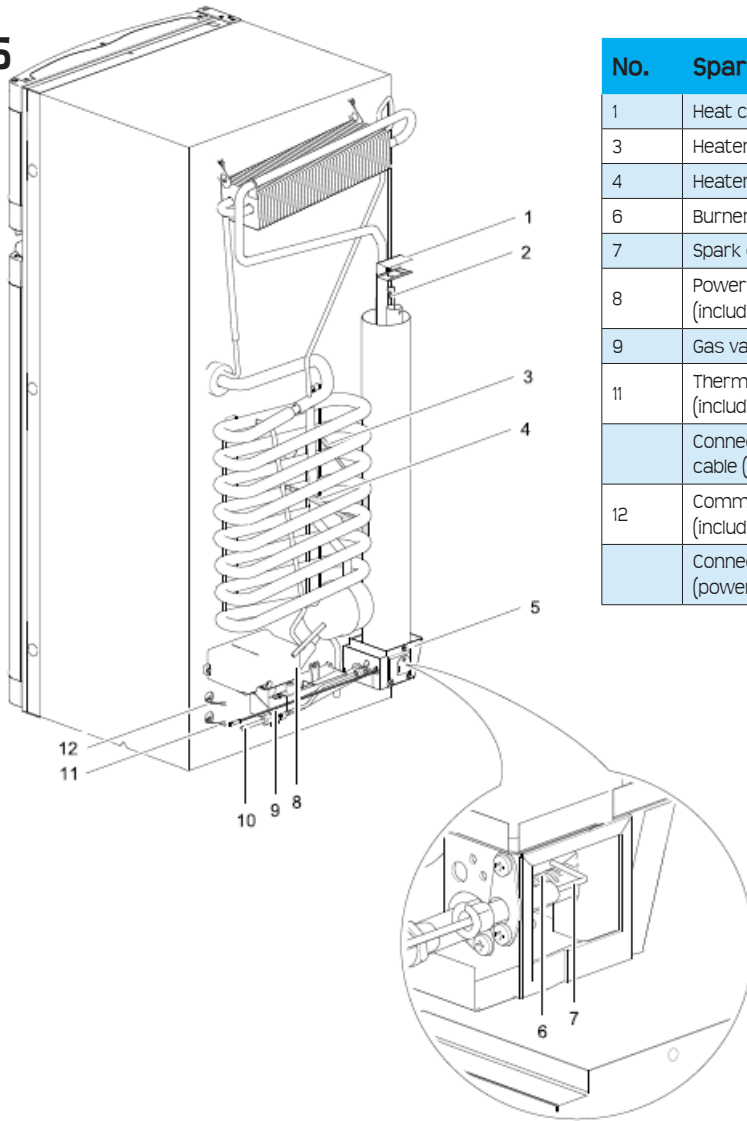
| No. | Spare part                                      | Single part | Assembly |
|-----|---|-------------|----------|
| 1   | Heat cap  | 690812      |          |
| 3   | Heater AC 230v                                  | 633575      |          |
| 4   | Heater DC 12v                                   | 633574      |          |
| 6   | Burner assembly                                 | 634570      |          |
| 7   | Spark electrode                                 | 690813      |          |
| 8   | Power control board (including housing)         | 690811      |          |
| 9   | Gas valve                                       | 690810      |          |
| 11  | Thermistor cable (including connectors)         | 690853      |          |
|     | Connector temp. sensor cable (power board side) | 690855      |          |
| 12  | Communication cable (including connectors)      | 690854      |          |
|     | Connector comm. cable (power board side)        | 690856      |          |

### N3145/3150



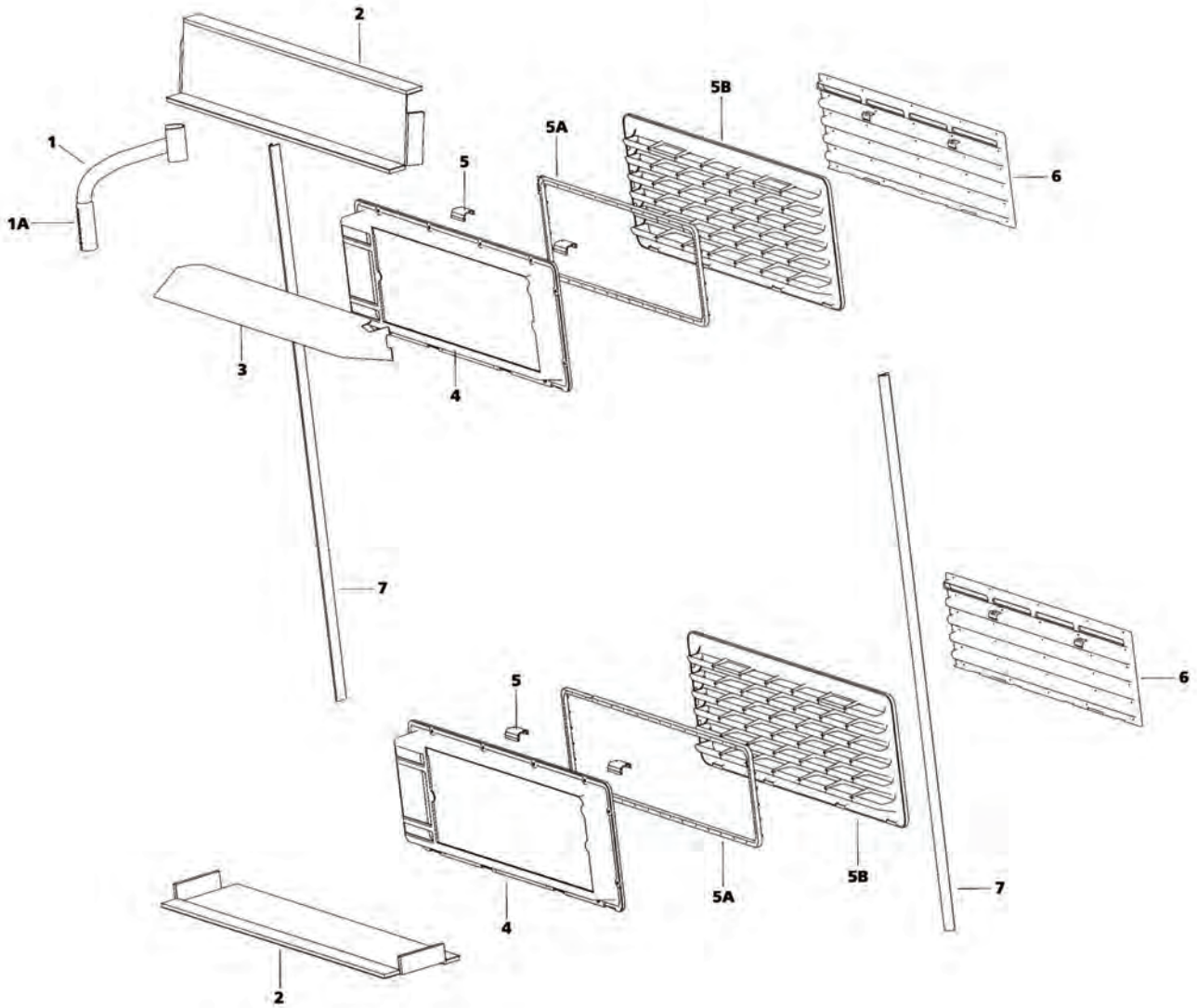
| No. | Spare part                                      | Single part | Assembly |
|-----|---|-------------|----------|
| 1   | Heat cap  | 690839      |          |
| 3   | Heater AC 230v                                  | 633573      |          |
| 4   | Heater DC 12v                                   | 633572      |          |
| 6   | Burner assembly                                 | 623058      |          |
| 7   | Spark electrode                                 | 690840      |          |
| 8   | Power control board (including housing)         | 690811      |          |
| 9   | Gas valve                                       | 690810      |          |
| 11  | Thermistor cable (including connectors)         | 690853      |          |
|     | Connector temp. sensor cable (power board side) | 690855      |          |
| 12  | Communication cable (including connectors)      | 690854      |          |
|     | Connector comm. cable (power board side)        | 690856      |          |

Back  
N3175



| No. | Spare part                                      | Single part | Assembly |
|-----|---|-------------|----------|
| 1   | Heat cap  | 690839      |          |
| 3   | Heater AC 230v                                  | 633573      |          |
| 4   | Heater DC 12v                                   | 633572      |          |
| 6   | Burner assembly                                 | 623058      |          |
| 7   | Spark electrode                                 | 690840      |          |
| 8   | Power control board (including housing)         | 690811      |          |
| 9   | Gas valve                                       | 690810      |          |
| 11  | Thermistor cable (including connectors)         | 690853      |          |
|     | Connector temp. sensor cable (power board side) | 690855      |          |
| 12  | Communication cable (including connectors)      | 690854      |          |
|     | Connector comm. cable (power board side)        | 690856      |          |

## Seals, vents and exhausts for all models



| No. | Spare part   | Single part   |
|-----|--|---|
| 1   | Flue exhaust short<br>Flue exhaust long                      | 627008<br>624480  |
| 2   | Combustion flap (486mm wide)<br>Combustion flap (525mm wide) | 624021<br>624020  |
| 3   | Vent cap   | 625096  |
| 5   | Vent lock clip   | 628449  |
| 6   | Vent cover small<br>Vent cover large                         | 624455<br>Cream white <b>089098</b><br>White <b>089097</b><br>631150<br>White <b>089101</b> |



### Thetford fridge vent

Supplied singly with frame, vent and flyscreen. Fits 448 x 158mm  
White **089074**  
Cream **089075**



### Thetford winter cover

436 x 130mm  
White **089097**  
Cream **089098**



### Thetford winter cover large

Used on some Lunar, swift and Explorer caravans and motorhomes. 480 x 233mm  
White **089101**