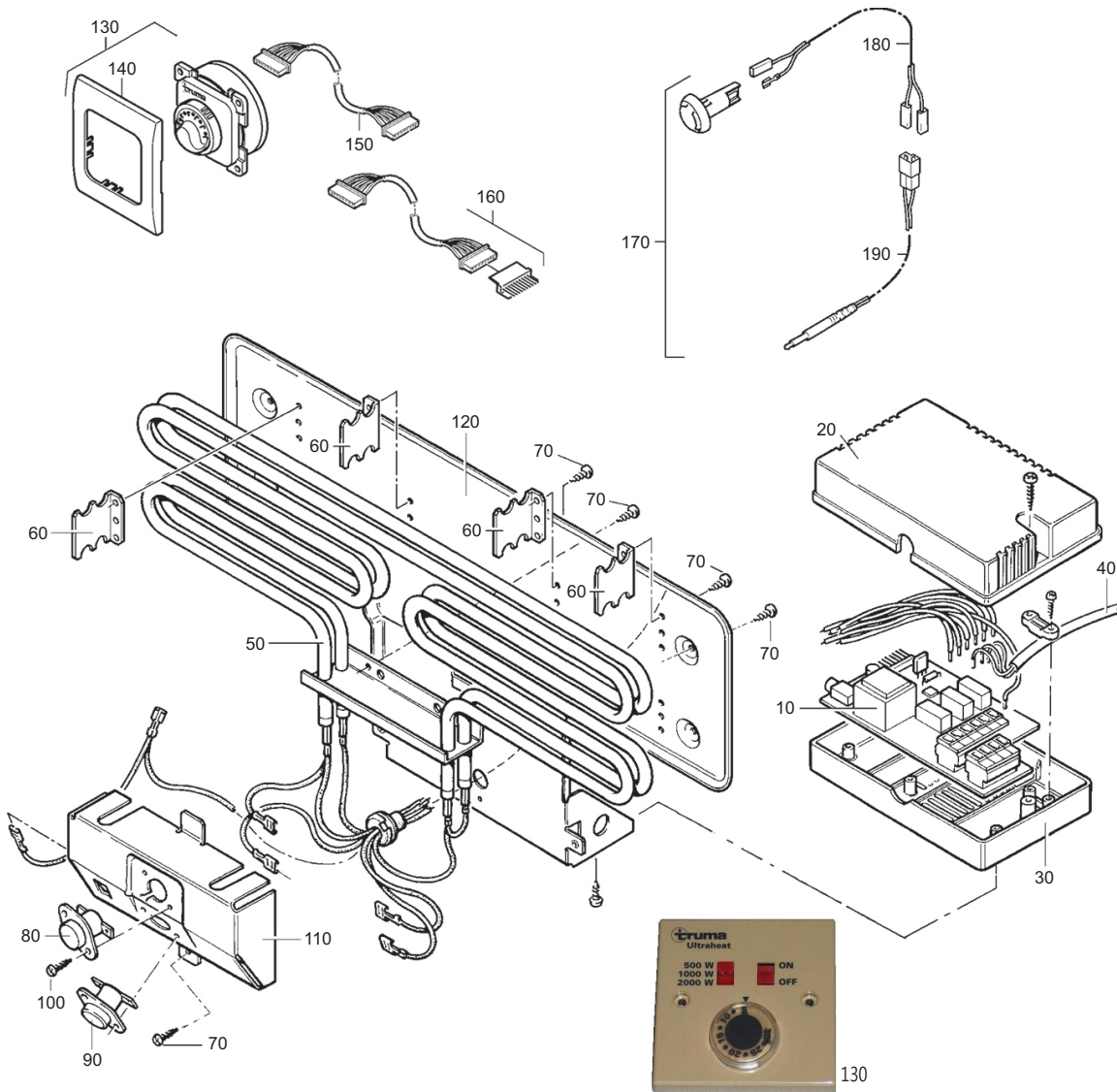


Ultraheat



	Truma No.	Grove No.	Description	Qty
10	30030-70900	869300	Ultraheat electronics (PCB)	1
20	30030-69200		Connector box upper part	1
30	30030-69100		Connector box bottom part	1
40	34010-04900		Power supply line 1,6 m	1
50	30030-70100	870100	Ultraheat heating element Ultraheat cpl.	1
60	30030-95700		Fastening plate	1
70	10010-73800		ST screw ISO 14585 ST3,5x9,5-A2K-C	1
80	30030-65100	865100	Temperature control devic	1
90	30030-65200	865200	Temperature limiter	1
100	10010-70000		ST screw ISO 14585 ST2,9x6,5-A2K-C	1
110	30030-69800		Cover	1
120	30030-69600		Radiant reflector	1
130	30030-98500	898500	Control Panel original	1
130	30030-47100	898400B	Ultraheat control panel, NOW BLACK Includes items below	1
	30030-49600		Bed. Ultraheat_sw	1
	34000-67700		Cover frame, black	1

	Truma No.	Grove No.	Description	Qty
140	34000-67700		Cover frame, NOW BLACK	1
150	34000-09300	809300	Control panel cable 3 m	1
	34000-09400	809400	Control panel cable 5 m	1
160	34300-01	834301	Extension cable for control panel, 5 m Includes items below	1
	34000-09400	809400	Control panel cable 5 m	1
	34000-09800		Coupler of control panel	1
170	34203-01		Room temperature sensor FFC 2 Includes items below	1
	34000-69800		Room sensor UT	1
	34000-69900		Room sensor OT Truma	1
	34000-71800		Adapter cable jack socket	1
	34000-70400		Room sensor Truma	1
	34000-71900	834205	Cable for remote sensor FF 2, 4 m	1
	34000-69700	834200	Room temperature sensor FFC 2 ONLY	1
180	34000-71900	834205	Cable for remote sensor FF 2, 4 m	1
190	34000-71800	834206	Adapter cable jack socket	1
	30030-71000	871000	Ultraheat sensor	1

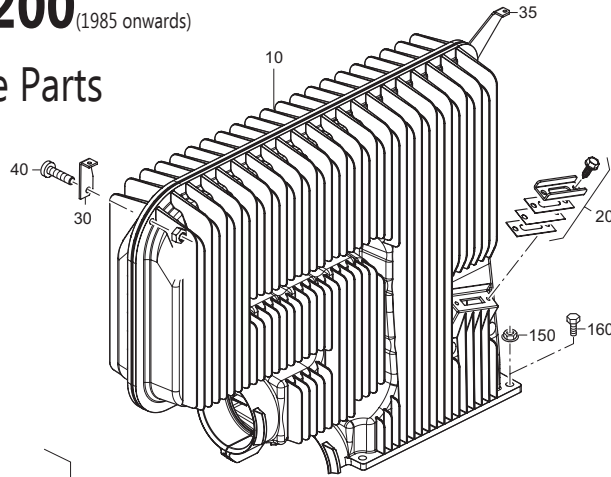
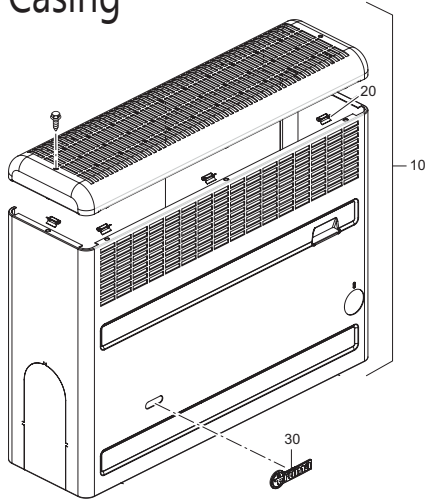
Trumatic S 2200 (1985 onwards)

Spare Parts

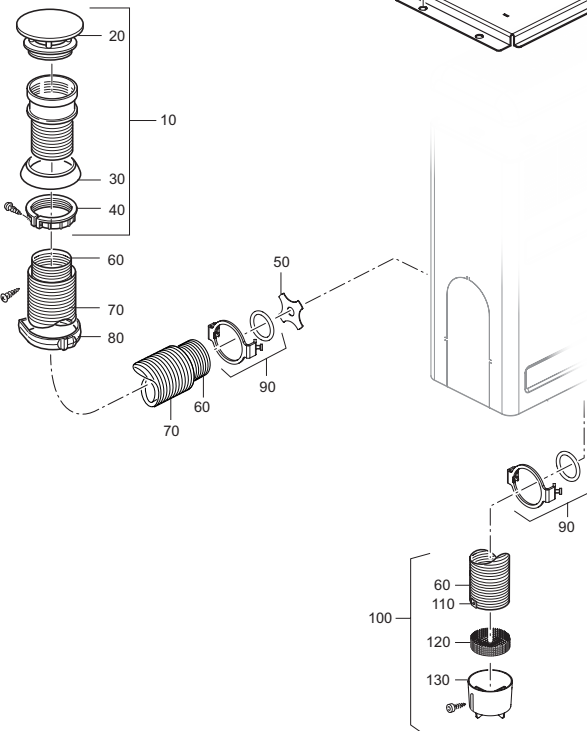
Abbildung zeigt S 2200 rechts
 Illustration shows S2200 right view
 La figure représente le S 2200 version à droite

Truma

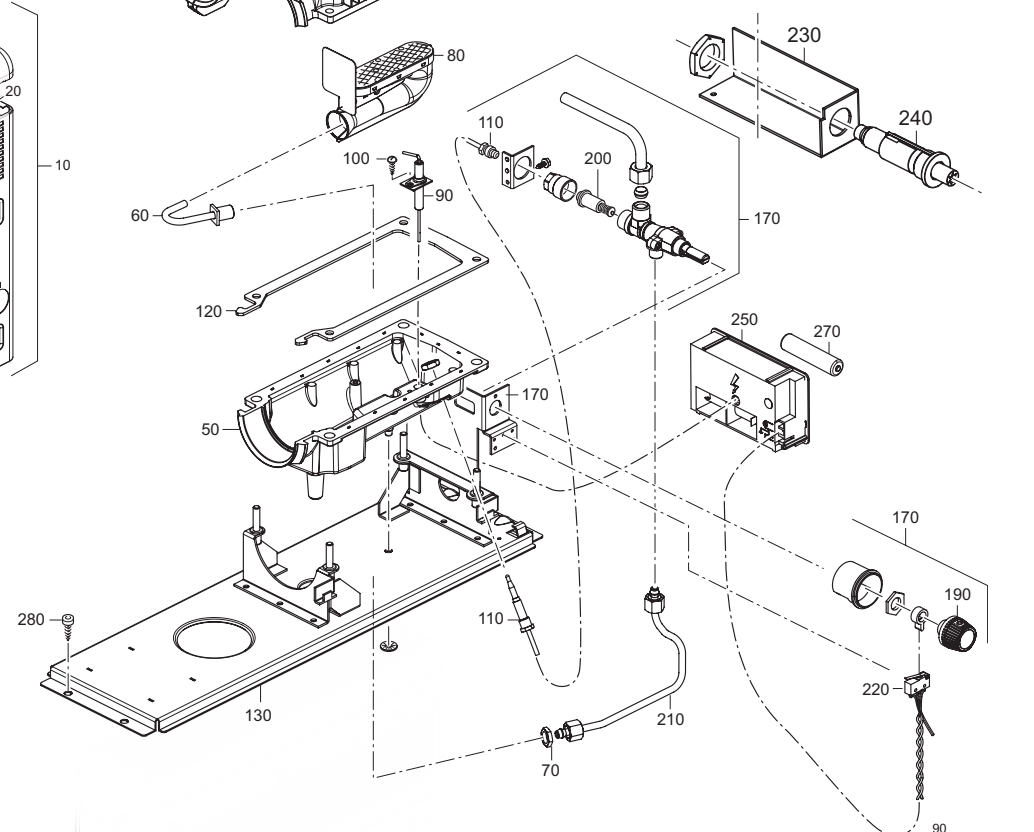
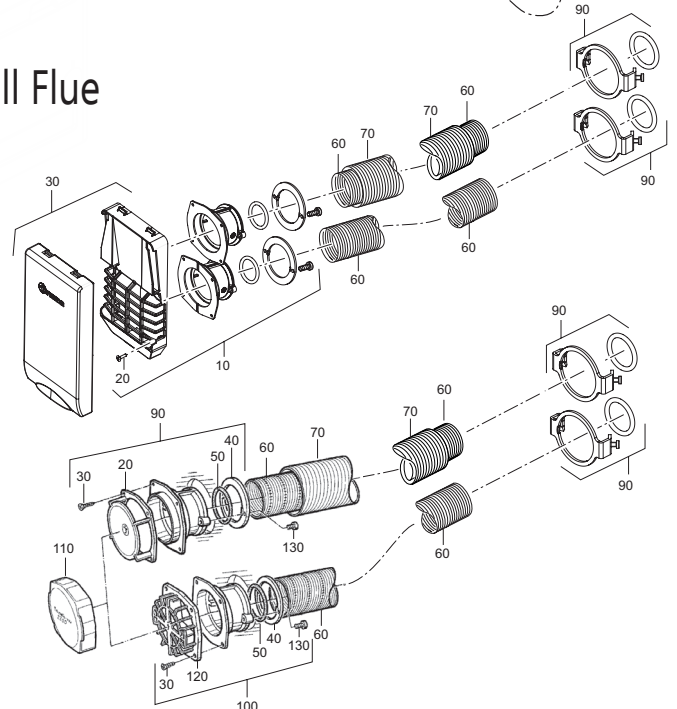
Casing



Roof Flue



Wall Flue



Spare Parts

	Truma No.	Grove No.	Description	Qty
10	30020-00100		S 2200 (P) heat exchanger	1
20	30030-42700	842700	Mica window cpl. Includes items below	1
	30030-17300		Window frames	1
	30030-17200		Frame-sealings	2
	30030-17100		Mica frames	1
	10010-64500		ST screw ISO 1479 ST3,5x9,5-BR-C	2
	10010-50400		Cutting screw DIN 7513-A M4x12-A2K-Bnd	2
30	30020-20700		S 2200 cover bracket, right	1
35	30020-20800		S 2200 cover bracket, left	1
40	10010-84100		PH screw DIN 7985 M4x10-A2-70-Z	1
50	30020-20100		S 2200 burner shaft	1
60	30020-03200		S 2200 burner tube, 30 mbar	1
70	30020-24100		Nut M 10 x 1	1
80	30020-00300		S 2200 (P) pot burner, 30/50 mbar	1
90	30020-00400		S 2200 (P) ignition electrode, 21 cm	1
100	10010-70500		ST screw ISO 7049 ST2,9x6,5-A2K-C-Z	1
110	30050-13900	813900	S 2200/3002/ 5002 thermocouple Includes items below	1
	30010-33300		Thermoelement l=250mm	1
	30010-18000		Nut m 8 x 1 ms	1
120	30020-20500		Gasket für heat exchanger	1
130	30020-07400		Floor base R	1
150	10020-18200		Hexagon nut DIN 934 M5-8-A2K-AF8-S	1
160	10010-31300		Hex bolt DIN 933 M5x20-8.8-A2K-AF8	1
170	30020-68500		S 2200 (P) safety pilot valve, 30 mbar	1
190	30020-21300		Control knob	1
200	30030-12200	824160	Magnet inset mini	1
210	30020-03000		Connection pipe, right cpl.	1
220	30020-06200		Micro switch, Includes items below	1
	30020-06900		Switch	
	30050-59200		Adapter plug	
240	30020-24200		S 2200 piezo ignitor, Includes items below	1
	30020-28800		Piezo ignitor	1
	30020-28700		Union nut for piezo ignitor	1
250	30090-00077		Automatic ignitor	1
270	30030-99200		Battery Mignon 1.5 V	1
280	10010-66200		ST screw ISO 7049 ST5,5x25-A2K-C-Z	1

Casing

	Truma No.	Grove No.	Description	Qty
10	30020-65300		S 2200 cover, titanium grey, right	1
10	30020-02400		S 2200 cover, brown, right	1
10	30020-06100		S 2200 cover, light grey, right	1
10	30020-65200		S 2200 cover, titanium grey, left	1
10	30020-00800		S 2200 cover, brown, left	1
10	30020-06000		S 2200 cover, light grey, left	1
20	39010-57000		U - CLIP	1
30	30040-36500		Truma Logo, sepia brown	1

Wall Flue

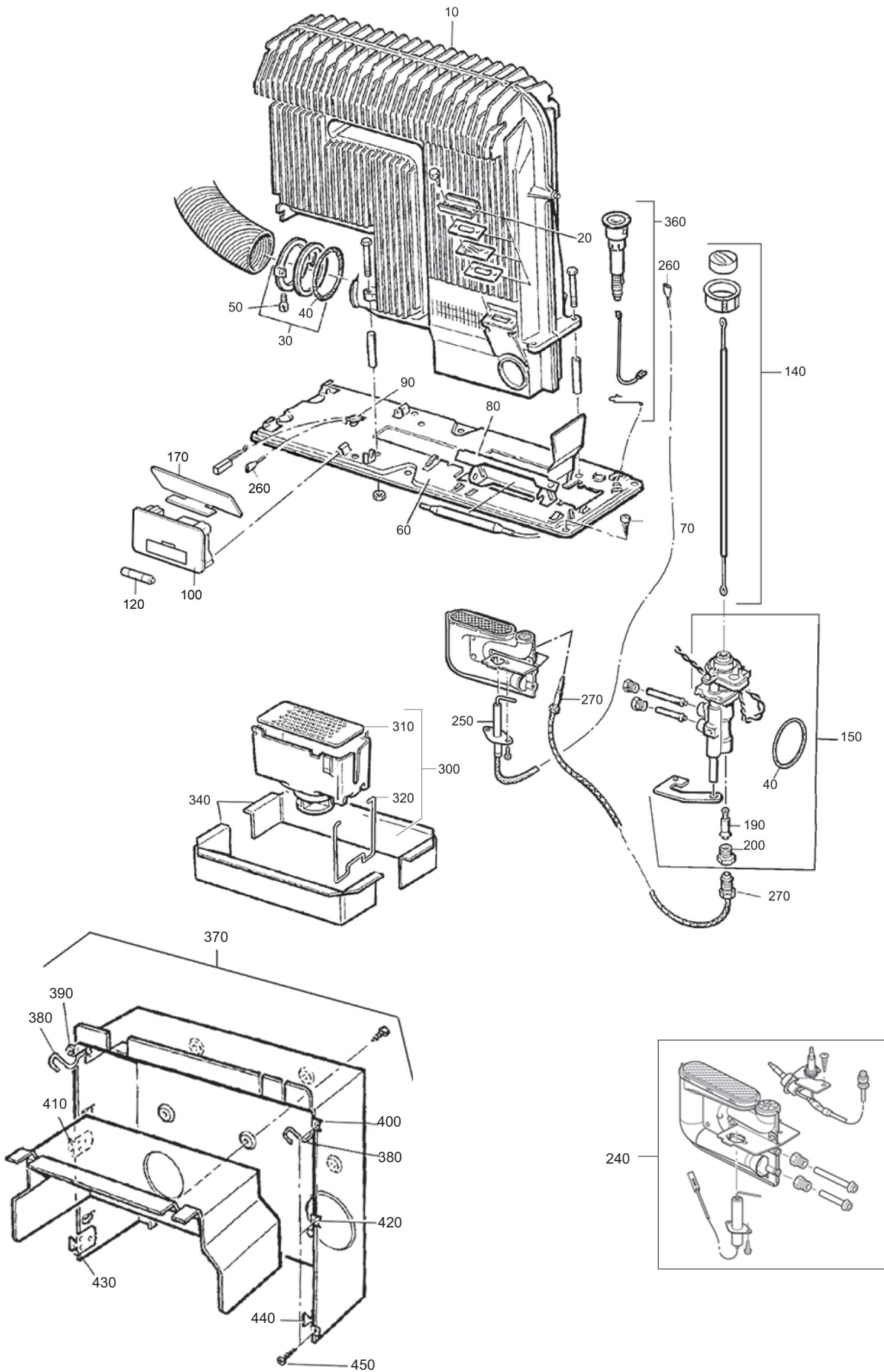
	Truma No.	Grove No.	Description from 06/14	Qty
10	30261-01		Wall cowl AKW 2	1
20	10010-72900		ST screw ISO 7049 ST3,5x25-A2-20H-C-Z	1
30	30020-31200		S 2200 wall cowl grille with cover	1
60	30140-00		Exhaust duct AE 3, Ø 55 mm	1
70	40230-00	801288	Duct ÜR, Ø 65 mm	20m
90	30030-02800		S 2200 exhaust duct fitting	1
	Truma No.	Grove No.	Description to 05/14	Qty
10	30020-01700		S 2200 wall cowl	1
20	30020-22300	822300	Wall cowl disc	1
30	10010-79400		ST screw ISO 7051 ST3,5x13-A2-20H-C-Z	1
40	30020-23100		Sealing ring	1
50	10030-25000	825000	O-ring 35 x 5 mm, VMQ	1
60	30140-00		Exhaust duct AE 3, Ø 55 mm	1
70	40230-00	801288	Duct ÜR, Ø 65 mm	1
80	40241-01		Clamp ÜS, grey, Ø 65 mm	1
90	30030-02800		S 2200 exhaust duct fitting	1
100	30020-01600		S 2200 (P) air intake cowl cpl.	1
110	30020-01800		Wall cowl cover	1
120	30020-22200	807301	S 2200 air intake grille	1
130	10010-31100		Hex bolt DIN 933 M5x12-8.8-A2K-AF8	1

Roof Flue

	Truma No.	Grove No.	Description	Qty
10	30630-01	801263	Roof cowl AK 3, Ø 60 mm	1
20	30010-20900	801020	Cowl roof KD	1
30	30010-20600	820600	Sealing ring S3	1
40	30010-20700		Screwing ring	1
50	30020-23400		Flow control plate	1
60	30140-00		Exhaust duct AE 3, Ø 55 mm	1
70	40230-00	801288	Duct ÜR, Ø 65 mm	1
80	40241-01		Clamp ÜS, grey, Ø 65 mm	1
90	30030-02800		S 2200 exhaust duct fitting	1
100	30020-02300		S 2200 (P) air intake duct cpl.	1
110	30020-26500		Sheet nut 4.2	1
120	30020-22900		Insect screen	1
130	30020-22800		Muff	1

Trumatic S 3002 / S 3002 (P) (08/04-12/14)

Truma

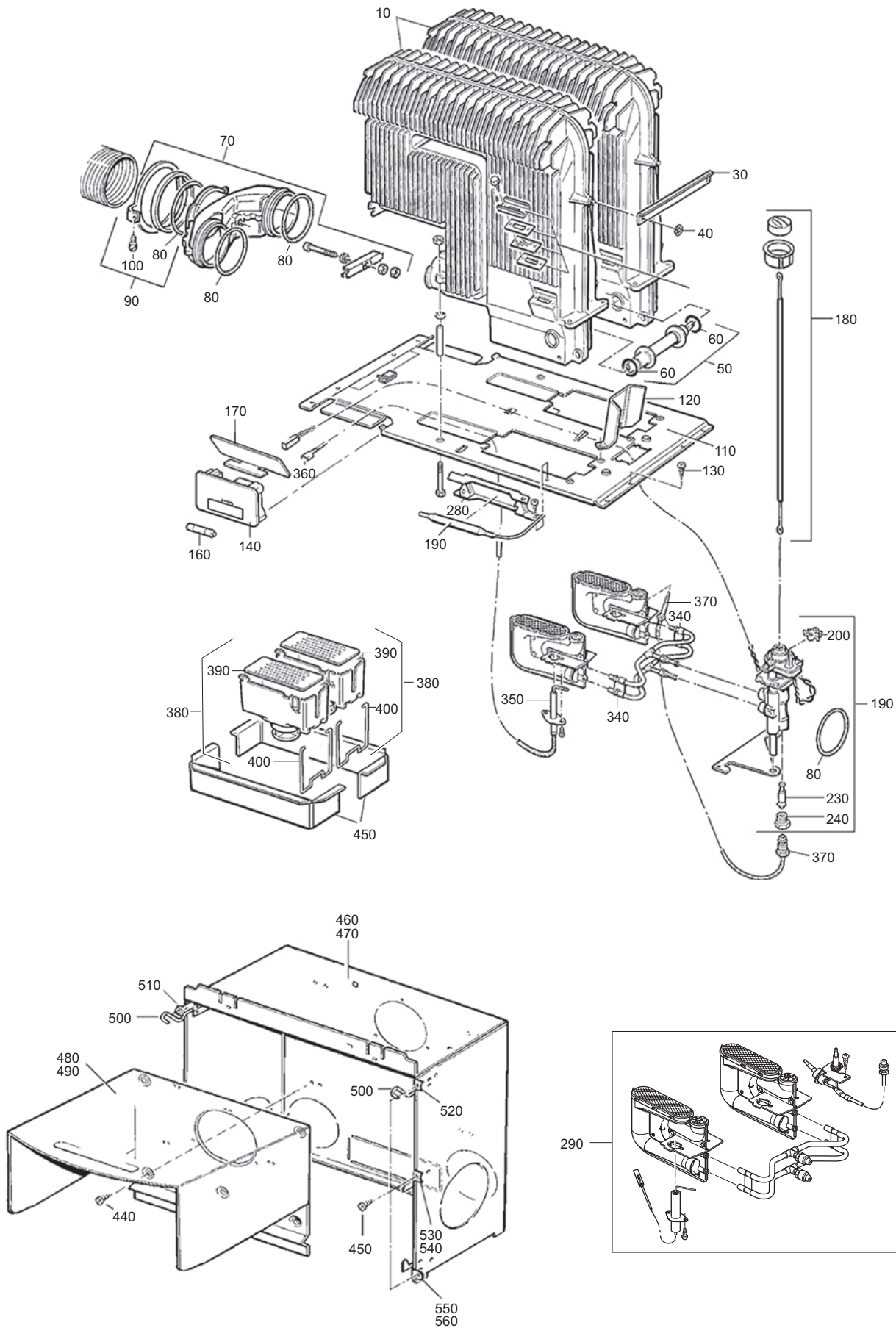


	Truma No.	Grove No.	Description	Qty	
10	30030-89400		S 3002 (P)/S 3004 (P) heat exchanger Includes items below	1	
	30030-03500		Heat exchanger cpl.	1	
	30030-85400		Boiler electric spacer tube 8 x 1	4	
	10020-18200		Hexagon nut DIN 934 M5-8-A2K-AF8-S	4	
	30030-03600-D		Exhaust duct fitting cpl.	1	
	10010-50400		Cutting screw DIN 7513-A M4x12-A2K-Bnd	4	
20	30030-42700	842700	Mica window cpl. Includes items below	1	
	30030-17300		Window frames	1	
	30030-17200		Frame-sealings	2	
	30030-17100		Mica frames	1	
	10010-64500		ST screw ISO 1479 ST3,5x9,5-BR-C	2	
	10010-50400		Cutting screw DIN 7513-A M4x12-A2K-Bnd	2	
30	30030-03600	803600	Exhaust duct fitting AE 3 Includes items below	1	
	30030-24300		Dichtplatte	1	
	10010-84500		PH screw DIN 7985 M4x8-4.8-A2K-Z	1	
	10030-26500	826500	O-ring 52x5	1	
	30030-24400		Druckring	1	
40	10030-26500	826500	O-ring 52x5	1	
50	10010-84500		PH screw DIN 7985 M4x8-4.8-A2K-Z	1	
60	30030-33300		S 3002 (P) base cpl. Includes items below	1	
	30030-85000		Socket	1	
	30030-84100		Mini cable holder	1	
	30030-85400		Boiler electric spacer tube 8 x 1	4	
	30030-85300		Cyl screw M5x5x10-4.8-A2K-Zg	4	
	10020-18200		Hexagon nut DIN 934 M5-8-A2K-AF8-S	4	
	30030-85700		Earth spring	1	
	30030-29300		Edge protection	1	
	70	10010-66200		ST screw ISO 7049 ST5,5x25-A2K-C-Z	1
	80	30030-29800		S 3002 (P)/5002 holder for heat detector	1
90	30030-29300		Edge protection	1	
100	30090-00077	853000	Automatic ignitor	1	
120	30030-99200		Battery Mignon 1.5 V	1	
140	30090-00040	813600K	Operating kit S 3002 Includes items below	1	
	30040-13600		Ignition rod cpl.	1	
	30040-40400		Control knob	1	
	30040-60700		Knob socket	1	
150	30090-00035	859700K	S 3002/S 5002 safety pilot valve kit Includes items below	1	
	30050-59600		Zünds.Vent. 720Mm	1	
	30090-00102		Housing upper part	1	
	30080-11800		O-ring 52x5	1	
	30040-22000		Distance sheet	1	
	30050-07700		Distance sheet	1	
	20000-37600	824158	Union nut 8AL M14X1.5 white galvanised	1	
	20000-41100		Olive 8L Ms	1	
	30090-00099		O-Ring 8,0x1,0	1	
	160	30050-58100	858100	Micro switch	1
170	30030-16100	816100	Shield	1	
190	30030-12200	824160	Magnet inset mini	1	
200	30030-12000	824159	Ms-nut	1	
210	30030-03100	803100	Feed Pipe (05/98-05/99)	1	

	Truma No.	Grove No.	Description	Qty	
240	30090-92200	803202K	S 3002 (P)/3004 (P) burner cpl. 30 mbar Includes items below	1	
	30090-18600		Schalenbrenner 30mbar kpl.	1	
	30090-16900		Thermoelemente rbs kpl.	1	
	30090-22400		Ignition electrode piezo 1000mm	1	
	10010-71300		St screw iso 14585 st2,9x9,5-a2k-c	2	
	30090-22600		Glasseidenisolierschlauch 8 x 610	1	
	30030-39700		Brennerrohr 30 mbar kpl.	1	
	30030-39900		Zündbrennerrohr 30mb kpl.	1	
	30010-11900		Union nut	2	
	10030-26500	826500	O-ring 52x5	1	
	240	30090-00148	803201K	S 3002 (P) burner cpl. 50 mbar	
	250	30040-65800	865800	S 3002 electrode, 45 cm	1
		30040-65900	865900	S 3002(P) electrode, 75 cm from 08/04	1
260	30010-23500		Flat connector 2.8 mm	1	
270	30050-13900	813900	S 2200/3002/ 5002 thermocouple Includes items below	1	
	30010-33300		Thermoelement l=250mm	1	
30010-18000		Nut m 8 x 1 ms	1		
300	30030-04300	804300	Extension Cpl. Includes items below	1	
	30030-14100		Extension	1	
	30030-17500	817500	Perforated plate	1	
	30030-28500	828500	Extension spring	1	
30030-04800	804800	Air intake extension 500mm	1		
310	30030-17500	817500	Perforated plate	1	
320	30030-28500	828500	Extension spring	1	
340	30030-16400		S 3002/S 3004 frame	1	
360	30090-00042	800300K	S 3002(P) Piezo ignition kit from 06/99 Includes items below	1	
	30040-42200		Piezo ignitor complete	1	
	30030-85700		Earth spring	1	
360	30030-00300	800300	S 3002(P) Piezo ignitor 05/96-05/99	1	
370	30040-16800		S 3002 installation box Includes items below	1	
	30040-16000		Installation box outside	1	
	30040-60100		Retaining plate, bottom left	1	
	30040-17000		Einbaukasten Innenteil	1	
	30040-60200		Retaining plate, bottom right	1	
	10010-72000		ST screw ISO 7049 ST3,5x9,5-A2K-C-Z	5	
	30040-60300		Fastening bracket, middle left	1	
	10010-68000		PH screw ISO 14583 M4x12-8.8-A2K	6	
	30040-60400		Fastening bracket, middle right	1	
	30040-60000	860000	S 3002 (P)/5002 retaining spring	2	
	30040-60500		Support plate, top left	1	
	30040-60600		Support plate, top right	1	
30070-11500		Spring nut	3		
380	30040-60000	860000	S 3002 (P)/5002 retaining spring	1	
390	30040-60500		Support plate, top left	1	
400	30040-60600		Support plate, top right	1	
410	30040-60300		Fastening bracket, middle left	1	
420	30040-60400		Fastening bracket, middle right	1	
430	30040-60100		Retaining plate, bottom left	1	
440	30040-60200		Retaining plate, bottom right	1	
450	10010-68000		PH screw ISO 14583 M4x12-8.8-A2K	1	

Trumatic S 5002 (08/04-12/14)

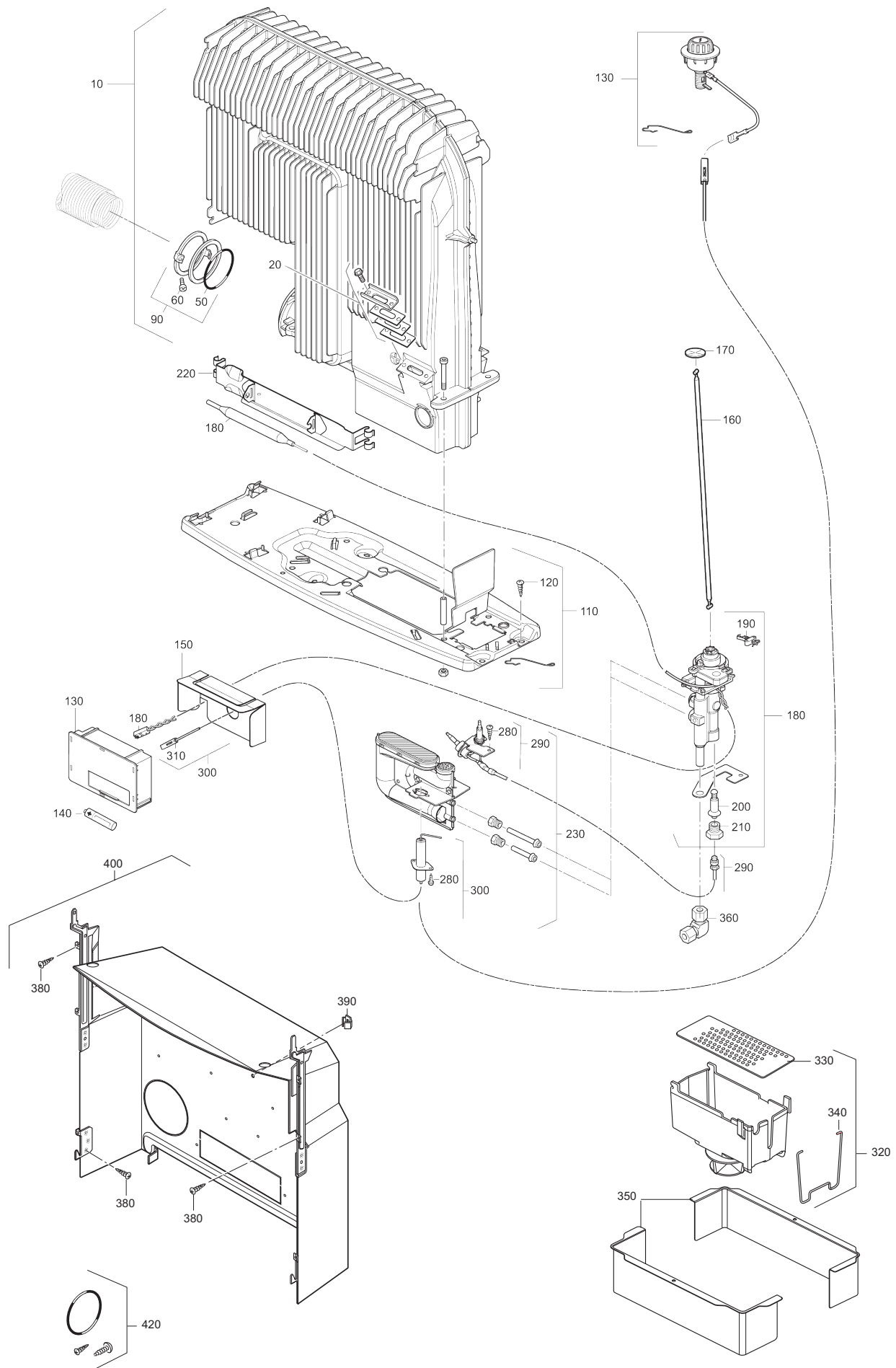
Truma



	Truma No.	Grove No.	Description	Qty
10	30050-32300		S 5002/s 5004 heat exchanger Includes items below	1
	30050-02800		Heat exchanger	1
	30030-17700		Distance tube 39 mm	6
	30050-33100		Exhaust duct fitting ae 5	1
	30030-85300		Cyl screw m5x55x10-4.8-A2k-zg	6
	10020-18200		Hexagon nut din 934 m5-8-a2k-af8-s	6
	30010-19800		Washer starlock-5-1.1231-Vamish finish	10
20	30030-42700	842700	Mica window cpl. Includes items below	1
	30030-17300		Window frames	1
	30030-17200		Frame-sealings	2
	30030-17100		Mica frames	1
	10010-64500		ST screw ISO 1479 ST3,5x9,5-BR-C	2
	10010-50400		Cutting screw DIN 7513-A M4x12	2
30	30050-10500		Distance sheet	1
40	30010-19800		Washer starlock-5-1.1231-Vamish finish	1
50	30050-18700	850187	S 5002/s 5004 ignition pipe	1
60	10030-23400		O-ring 16x2.5	1
70	30050-32400		Exhaust coll. Includes items below	1
	30090-00001		Sammler vormontiert	1
	30050-33100		Exhaust duct fitting AE 5	1
80	10030-26500	826500	O-ring 52x5	1
90	30050-33100		Exhaust duct fitting AE 5 Includes items below	1
	30050-17500		Druckring	1
	30050-34400		Dichtplatte	1
	10030-26500	826500	O-ring 52x5	1
	10010-86000		Ph screw din 7985 m5x16-4.8-A2k-z	1
100	10010-86000		Ph screw din 7985 m5x16-4.8-A2k-z	1
110	30050-23500		S 5002 base cpl. Includes items below	1
	30050-10800		Base	1
	30030-17600		Screw m 5 x 52	6
	30030-17700		Distance tube 39 mm	6
	30010-19800		Washer starlock-5-1.1231-Vamish finish	6
	10020-18200		Hexagon nut din 934 m5-8-a2k-af8-s	6
	30030-84100		Mini cable holder	1
	30030-19100		Wärmeabweiser	1
120	30030-15800		Heat deflector	1
130	10010-66200		St screw iso 7049 st5,5x25-a2k-c-z	1
140	30090-00077	853000	Automatic ignitor	1
160	30030-99200		Battery mignon 1.5 V	1
170	30030-16100	816100	Shield	1
180	30090-00041	853700K	Operating kit s 5002 Includes items below	1
	30050-53700	853700	Ignition rod	1
	30040-40400		Control knob	1
	30040-60700		Knob socket	1
190	30090-00035	859700K	S 3002/s 5002 safety pilot valve kit Includes items below	1
	30050-59600		Zünds.Vent.	1
	30090-00102		Housing upper part	1
	30080-11800		O-ring 52x5	1
	30040-22000		Distance sheet	1
	30050-07700		Distance sheet	1
	20000-37600	824158	Union nut 8al m14x1.5 White galvanised	1
	20000-41100		Olive 8l ms	1
	30090-00099		O-Ring 8,0x1,0	1
200	30050-58100	858100	Micro switch	1
210	30030-03100	803100	Feed pipe 05/98-05/99	
230	30030-12200	824160	Magnet inset mini	1
240	30030-12000	824159	Ms-nut	1
280	30030-29800		S 3002 (p)/5002 holder for heat detector	1

	Truma No.	Grove No.	Description	Qty
290	30090-00152	802000	S 5002/s 5004 burner cpl., 30 Mbar Includes items below	1
	30090-18600		Schalenbrenner 30mbar kpl.	1
	30090-16900		Thermolemente rbs kpl.	1
	30050-08500		Ignition electrode ii 550mm	1
	30050-33400		Glasseidenisolierschlauch 8x500mm	1
	30050-08000		Brennerrohr 30mbar kpl.	1
	30050-08100		Zündbr. Rohr 30mbar kpl.	1
	10030-26500	826500	O-ring 52x5	1
	10010-71300		St screw iso 14585 st2,9x9,5-a2k-c	2
340	30050-08900		Clamp sheet kit, 2 pcs.	1
	30050-12200		Clamp Sheet L.	2
	30050-12300		Clamp Sheet R.	2
350	30050-08600	808600	S 5002 ignition electrode, 55 cm + screw	1
360	30010-23500		Flat connector 2.8 Mm	1
370	30050-13900	813900	S 2200/3002/ 5002 thermocouple Includes items below	1
	30010-33300		Thermolement l=250mm	1
	30010-18000		Nut m 8 x 1 ms	1
380	30030-04300	804300	Extension cpl. Includes items below	1
	30030-14100		Extension	1
	30030-17500	817500	Perforated plate	1
	30030-28500	828500	Extension spring	1
	30030-04800	804800	Air intake extension 500mm	1
390	30030-17500	817500	Perforated plate	1
400	30030-28500	828500	Extension spring	1
430	30050-29000		S 5002/s 5004 frame	1
440	10010-72000		St screw iso 7049 st3,5x9,5-a2k-c-z	1
450	10010-68000		Ph screw iso 14583 m4x12-8.8-A2k	1
460	30050-52100		S 5002 installation box Includes items below	1
	30050-52400		Einbaukasten außen	1
	30040-60100		Retaining plate, bottom left	1
	30050-51100		S 5002 installation box interior part	1
	30040-60200		Retaining plate, bottom right	1
	10010-72000		ST screw ISO 7049 ST3,5x9,5-A2K-C-Z	7
	30040-60300		Fastening bracket, middle left	1
	10010-68000		PH screw ISO 14583 M4x12-8.8-A2K	6
	30040-60400		Fastening bracket, middle right	1
	30040-60000	860000	S 3002 (P)/5002 retaining spring	2
	30040-60500		Support plate, top left	1
	30040-60600		Support plate, top right	1
	30070-11500		Spring nut	3
470	30050-52200		S 5002 installation box for 2 fans Includes items below	1
	30050-52300		Einbaukasten außen 2 Gebläse	1
	30040-60100		Retaining plate, bottom left	1
	10010-72000		ST screw ISO 7049 ST3,5x9,5-A2K-C-Z	7
	30040-60200		Retaining plate, bottom right	1
	30040-60300		Fastening bracket, middle left	1
	30050-51300		S 5002 inst. box interior part, 2 fans	1
	10010-68000		PH screw ISO 14583 M4x12-8.8-A2K	6
	30040-60400		Fastening bracket, middle right	1
	30040-60000	860000	S 3002 (P)/5002 retaining spring	2
	30040-60500		Support plate, top left	1
	30040-60600		Support plate, top right	1
	30070-11500		Spring nut	6
480	30050-51100		S 5002 installation box interior part	1
490	30050-51300		S 5002 inst. Box interior part, 2 fans	1
500	30040-60000	860000	S 3002 (p)/5002 retaining spring	1
510	30040-60500		Support plate, top left	1
520	30040-60600		Support plate, top right	1
530	30040-60400		Fastening bracket, middle right	1
540	30040-60300		Fastening bracket, middle left	1
550	30040-60200		Retaining plate, bottom right	1
560	30040-60100		Retaining plate, bottom left	1

Truma S 3004 / S 3004 (P) (05/12 onwards)



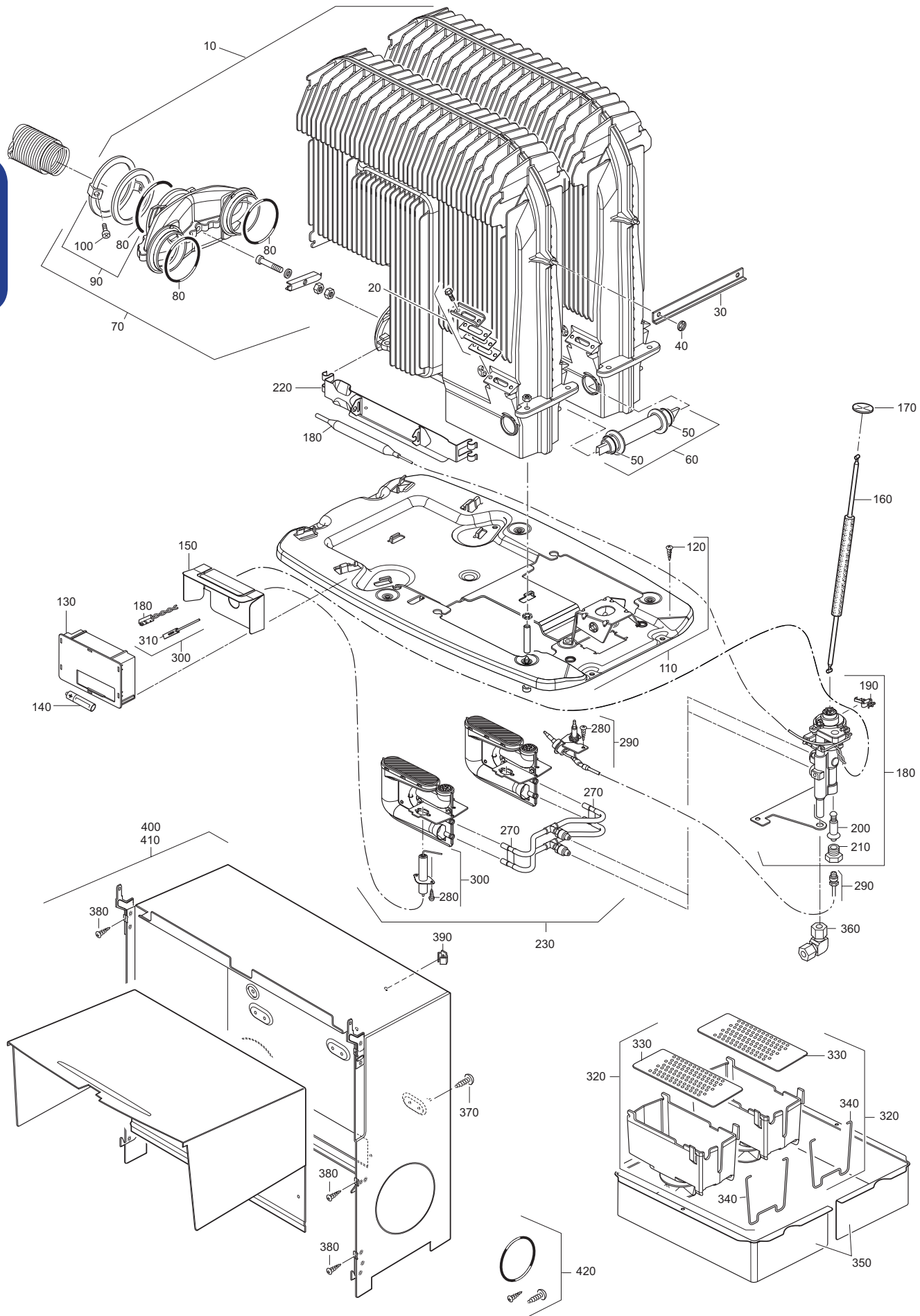
Truma

	Truma No.	Grove No.	Description	Qty
10	30030-89400		S 3002 (P)/S 3004 (P) heat exchanger	1
20	30030-42700	842700	Mica window cpl. Includes items below	1
	30030-17300		Window frames	1
	30030-17200		Frame-sealings	2
	30030-17100		Mica frames	1
	10010-64500		ST screw ISO 1479 ST3,5x9,5-BR-C	2
	10010-50400		Cutting screw DIN 7513-A M4x12	2
50	10030-26500	826500	O-ring 52 x 5 mm, VMQ, 40 Shore A	1
60	10010-84500		PH screw DIN 7985 M4x8-4.8-A2K-Z	1
90	30030-03600	803600	Exhaust duct fitting AE 3 Includes items below	1
	30030-24300		Dichtplatte	1
	10010-84500		PH screw DIN 7985 M4x8-4.8-A2K-Z	1
	10030-26500	826500	O-ring 52x5	1
	30030-24400		Druckring	1
110	30090-91800		S 3004 (P) base cpl. Includes items below	1
	30090-07400		S3004 socket	1
	30030-85300		Cyl screw M5x55x10-4.8-A2K-Zg	4
	30030-85400		Boiler electric spacer tube 8 x 1	4
	30090-42300		Verschlussstopfen D9,0	1
	30090-42400		Durchführungstülle D9 / D6	1
	10020-18200		Hexagon nut DIN 934 M5-8-A2K-AF8-S	4
	30090-14200		Earth spring	1
	10010-66200		ST screw ISO 7049 ST5,5x25-A2K-C-Z	5
	30090-42500		Miniclip with expansion anchor D4.7	1
120	10010-66200		ST screw ISO 7049 ST5,5x25-A2K-C-Z	1
130	30090-00077	853000	S 3004 Automatic ignitor	1
130	30090-00043	818000K	S 3004 P piezo ignitor kit Includes items below	1
	30090-18000		Piezo ignitor complete	1
	30090-14200		Earth spring	1
140	30030-99200		Battery Mignon 1.5 V	1
150	30090-16400		Auto ignitor heat protection panel	1
160	30090-20700	820700	S 3004 control rod	1
170	30090-93700		Bush control rod	1
180	30090-00036	890800K	S 3004/S 5004 safety pilot valve kit Includes items below	1
	30080-11800		O-ring 52 x 5 mm ,VMQ, 30 shore A	1
	30050-07700		Distance sheet	1
	30040-22000		Distance sheet	1
	30090-42200		Glasseidenisolierschlauch 8X410	1
	30090-90200		Zündsicherungsventil	1
	30090-00102		Housing upper part	1
	20000-37600	824158	Union nut 8AL M14X1.5 white galvanised	1
	20000-41100		Olive 8L Ms	1
	30090-00099		O-ring 8.0 x 1 mm, NBR	1
190	30050-58100	858100	Micro switch	1
200	30030-12200	824160	Magnet inset	1
210	30030-12000	824159	Ms-nut	1
220	30090-09900		S 3004 (P)/5004 holder for heat detector	1
230	30090-92200	803202K	S 3002 (P)/3004 (P) burner cpl. 30 mbar Includes items below	1
	30090-18600		Schalenbrenner 30Mbar Kpl.	1
	30090-16900		Thermocouples	1
	30090-22400		Ignition electrode piezo 1000mm	1
	10010-71300		ST screw ISO 14585 ST2,9x9,5-A2K-C	2
	30090-22600		Glasseidenisolierschlauch 8 X 610	1
	30030-39700		Burner tube, 30 mbar cpl.	1
	30030-39900		Pilot burner tube, 30 mbar cpl.	1
	30010-11900		Union screw	2
	10030-26500	826500	O-ring 52 x 5 mm, VMQ, 40 Shore A	1
280	10010-71300		ST screw ISO 14585 ST2,9x9,5-A2K-C	1

	Truma No.	Grove No.	Description	Qty
290	30090-91300	842414	S 3004/5004 thermocouple Includes items below	1
	30090-16900		Thermocouples	1
	10010-71300		ST screw ISO 14585 ST2,9x9,5-A2K-C	1
300	30090-91200	891200	S 3004/S 5004 ignition electrode 53 cm Includes items below	1
	30090-56300		Ignition electrode 480mm	1
	30090-42200		Glasseidenisolierschlauch 8X410	1
	10010-71300		ST screw ISO 14585 ST2,9x9,5-A2K-C	1
300	30090-92300	892300	S 3004 Piezo ignition electrode 100 cm Includes items below	1
	30090-22400		Ignition electrode piezo 1000mm	1
	30090-22600		Glasseidenisolierschlauch 8 x 610	1
	10010-71300		ST screw ISO 14585 ST2,9x9,5-A2K-C	1
310	30010-23500		Flat connector 2.8 mm	1
320	30030-04300	804300	Extension Cpl. Includes items below	1
	30030-14100		Extension	1
	30030-17500	817500	Perforated plate	1
	30030-28500	828500	Extension spring	1
	30030-04800	804800	Air intake extension 500mm	1
330	30030-17500	817500	Perforated plate	1
340	30030-28500	828500	Extension spring	1
350	30030-16400		S 3002/S 3004 frame	1
360	10170-00	810170	Elbow union 8 mm Includes items below	1
	20000-37600	824158	Union Nut 8Al M14x1.5 White Galvanised	2
	10000-41800		Olive 8L	2
	10000-40400		Winkelverschraubung 07-708-10	1
380	10010-68000		PH screw ISO 14583 M4x12-8.8-A2K	1
390	30070-11500		Spring nut	1
400	30090-95800		S 3004 installation box Includes items below	1
	30090-07200		Elinbaukasten S3004	1
	10010-68000		PH screw ISO 14583 M4x12-8.8-A2K	6
	30090-17600		Bush	1
420	30090-02400		Accessory kit S3004 EV Includes items below	1
	30030-24400		Druckring	1
	30030-24300		Dichtplatte	1
	10030-26500	826500	O-ring 52 x 5 mm, VMQ, 40 Shore A	1
	10010-84500		PH screw DIN 7985 M4x8-4.8-A2K-Z	1
	10010-66200		ST screw ISO 7049 ST5,5x25-A2K-C-Z	5
	10010-68000		PH screw ISO 14583 M4x12-8.8-A2K	6
	10010-72500		ST screw ISO 7049 ST3,5x16-A2K-C-Z	3

Truma S 5004 (05/12 onwards)

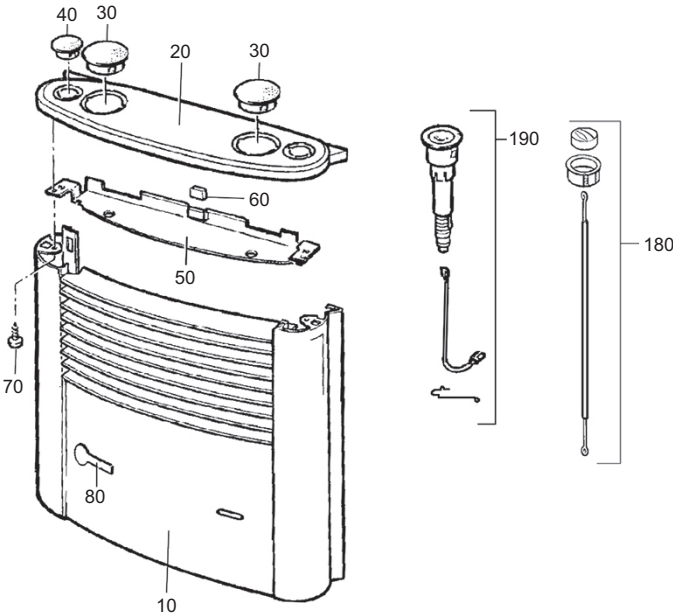
Truma



	Truma No.	Grove No.	Description	Qty
10	30050-32300		S 5002/S 5004 heat exchanger Includes items below	1
	30050-02800		Heat exchanger	1
	30030-17700		Distance tube 39 mm	6
	30050-33100		Exhaust duct fitting AE 5	1
	30030-85300		Cyl screw M5x55x10-4.8-A2K-Zg	6
	10020-18200		Hexagon nut DIN 934 M5-8-A2K-AF8-S	6
	30010-19800		Washer Starlock-5-1.1231-vamish finish	10
	20	30030-42700	842700	Mica window cpl. Includes items below
30030-17300			Window frames	1
30030-17200			Frame-sealings	2
30030-17100			Mica frames	1
10010-64500			ST screw ISO 1479 ST3,5x9,5-BR-C	2
10010-50400			Cutting screw DIN 7513-A M4x12	2
30	30050-10500		Distance sheet	1
40	30010-19800		Washer Starlock-5-1.1231-vamish finish	1
50	10030-23400		O-ring 16 x 2.5 mm, VMQ	1
60	30050-18700	850187	S 5002/S 5004 ignition pipe	1
70	30050-32400		Exhaust coll. Includes items below	
	30090-00001		Sammler vormontiert	1
	30050-33100		Exhaust duct fitting AE 5	1
80	10030-26500	826500	O-ring 52 x 5 mm, VMQ, 40 Shore A	1
90	30050-33100		Exhaust duct fitting AE 5 Includes items below	1
	30050-17500	826500	Druckring	1
	30050-34400		Dichtplatte	1
	10030-26500		O-ring 52x5	1
	10010-86000		Ph screw din 7985 m5x16-4.8-A2k-z	1
100	10010-86000			PH screw DIN 7985 M5x16-4.8-A2K-Z
110	30090-90000		S 5004 base cpl. Includes items below	1
	30090-12900		Socket s5004	1
	30030-85300		Cyl screw m5x55x10-4.8-A2k-zg	6
	30030-17700		Distance tube 39 mm	6
	30010-19800		Washer starlock-5-1.1231-Vamish finish	6
	30090-14100		Wärmeabweiser	1
	10020-18200		Hexagon nut din 934 m5-8-a2k-af8-s	6
	10010-66200		ST screw iso 7049 st5,5x25-a2k-c-z	5
	30090-42300		Verschlussstopfen d9,0	2
	120	10010-66200		ST screw ISO 7049 ST5,5x25-A2K-C-Z
130	30090-00077	853000	Automatic ignitor	1
140	30030-99200		Battery Mignon 1.5 V	1
150	30090-16400		Auto ignitor heat protection panel	1
160	30090-41900		S 5004 control rod Includes items below	1
	30090-09000		Druckstange S5004	1
	30090-41800		Silicone hose 4x1,5mm	80mm
170	30090-93700		Bush control rod	1
180	30090-00036	890800K	S 3004/S 5004 safety pilot valve kit Includes items below	1
	30080-11800	824158	O-ring 52 x 5 mm, VMQ, 30 shore A	1
	30050-07700		Distance sheet	1
	30040-22000		Distance sheet	1
	30090-42200		Glasseidenisolierschlauch 8X410	1
	30090-90200		Zündsicherungsventil	1
	30090-00102		Housing upper part	1
	20000-37600		Union nut 8AL M14X1.5 white galvanised	1
	20000-41100		Olive 8L Ms	1
	30090-00099		O-ring 8,0 x 1 mm, NBR	1
190	30050-58100		858100	Micro switch
200	30030-12200	824160	Magnet inset	1
210	30030-12000	824159	Ms-nut	1
220	30090-09900		S 3004 (P)/5004 holder for heat detector	1

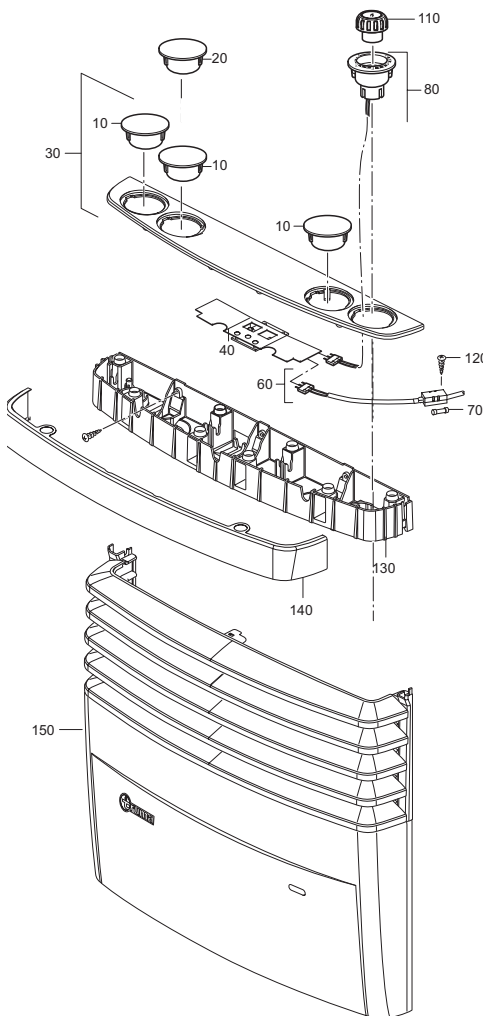
	Truma No.	Grove No.	Description	Qty	
230	30090-00152	802000	S 5002/s 5004 burner cpl., 30 Mbar Includes items below	1	
	30090-18600	826500	Schalenbrenner 30mbar kpl.	1	
	30090-16900		Thermoelmente rbs kpl.	1	
	30050-08500		Ignition electrode ii 550mm	1	
	30050-33400		Glasseidenisolierschlauch 8x500mm	1	
	30050-08000		Brennerrohr 30mbar kpl.	1	
	30050-08100		Zündbr. Rohr 30mbar kpl.	1	
	10030-26500		O-ring 52x5	1	
	10010-71300		St screw iso 14585 st2,9x9,5-a2k-c	2	
	270		30050-08900		Clamp sheet kit, 2 pcs.
30050-12200				Clamp Sheet L.	2
	30050-12300		Clamp Sheet R.	2	
280	10010-71300		ST screw ISO 14585 ST2,9x9,5-A2K-C	1	
290	30090-91300	542414	S 3004/5004 thermocouple Includes items below	1	
	30090-16900		Thermocouples	1	
	10010-71300		ST screw ISO 14585 ST2,9x9,5-A2K-C	1	
300	30090-91200	891200	S 3004/S 5004 ignition electrode 53 cm Includes items below	1	
	30090-56300		Ignition electrode 480mm	1	
	30090-42200		Glasseidenisolierschlauch 8X410	1	
	10010-71300		ST screw ISO 14585 ST2,9x9,5-A2K-C	1	
310	30010-23500		Flat connector 2.8 mm	1	
320	30030-04300	804300	Extension Cpl. Includes items below	1	
	30030-14100	817500	Extension	1	
	30030-17500		Perforated plate	1	
	30030-28500		Extension spring	1	
		30030-04800	804800	Air intake extension 500mm	1
330	30030-17500	817500	Perforated plate	1	
340	30030-28500	828500	Extension spring	1	
350	30050-29000		S 5002/S 5004 frame	1	
360	10170-00	810170	Elbow union 8 mm Includes items below	1	
	20000-37600	824158	Union Nut 8AL M14x1.5 White Galvanised	2	
	10000-41800		Olive 8L	2	
	10000-40400		Winkelverschraubung 07-708-10	1	
370	10010-72000		ST screw ISO 7049 ST3,5x9,5-A2K-C-Z	1	
380	10010-68000		PH screw ISO 14583 M4x12-8.8-A2K	1	
390	30070-11500		Spring nut	1	
400	30090-94400		S 5004 installation box Includes items below	1	
	30090-07600	824158	Einbaukasten außen kpl.	1	
	10010-68000		PH screw ISO 14583 M4x12-8.8-A2K	6	
	30090-10400		Installation box inside	1	
	10010-72000		ST screw ISO 7049 ST3,5x9,5-A2K-C-Z	7	
	10010-74400		ST screw ISO 7049 ST3,5x19-A2K-C-Z	3	
	410		30090-94600		S 5004 installation box for 2 fans Includes items below
30090-07700			824158	Installation box outside 2 fan cpl.	1
10010-68000		PH screw ISO 14583 M4x12-8.8-A2K		6	
30090-14300		Installation box inside 2 fans		1	
10010-72000		ST screw ISO 7049 ST3,5x9,5-A2K-C-Z		7	
10010-74400		ST screw ISO 7049 ST3,5x19-A2K-C-Z		3	
420		30090-33400			Accessory kit S54 Includes items below
	10030-26500	826500		O-ring 52 x 5 mm, VMQ, 40 Shore A	1
	30050-34400		Dichtplatte	1	
	30050-17500		Druckring	1	
	10010-66200		ST screw ISO 7049 ST5,5x25-A2K-C-Z	5	
	10010-74400		ST screw ISO 7049 ST3,5x19-A2K-C-Z	3	
	10010-72000		ST screw ISO 7049 ST3,5x9,5-A2K-C-Z	7	
	10010-86000		PH screw DIN 7985 M5x16-4.8-A2K-Z	1	
	10010-68000		PH screw ISO 14583 M4x12-8.8-A2K	6	
	10010-72500		ST screw ISO 7049 ST3,5x16-A2K-C-Z	4	

Trumatic S 3002 / S 5002 Exterior (08/04-12/14)



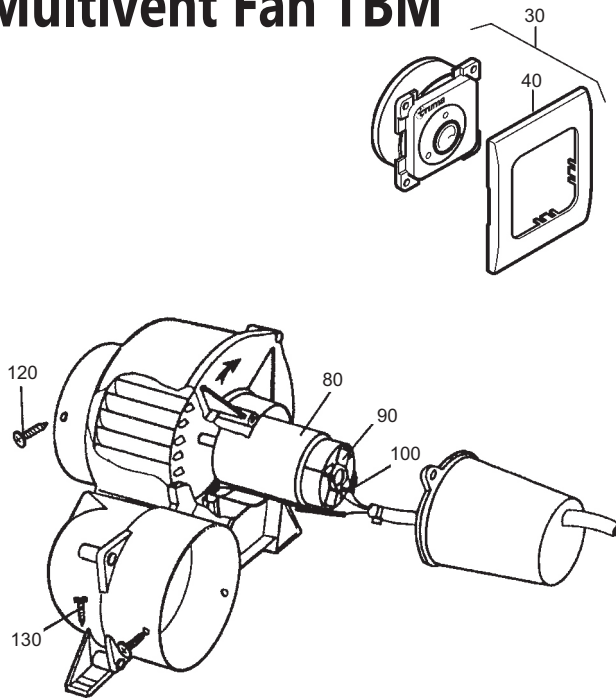
	Truma No.	Grove No.	Description	Qty
10	30040-50100		S 3002 cover, sepia brown	1
	30040-50200		S 3002 cover, agate grey	1
	30050-60100		S 5002 cover, sepia brown	1
	30050-60200		S 5002 cover, agate grey	1
20	30040-63000	863000	S 3002 Cover black/brown	1
	30040-63300		S 3002 Cover light grey	1
	30050-52700	852700	S 5002 Cover black/brown	1
30	30040-60900	860900	S 3002/5002 blank cover 52 mm	1
	30030-18700	818700	S 3002 Knob socket 05/96-05/99	1
40	30040-60800	860800	S 3002 blank cover 35 mm	1
	30040-64900		S 3002 Ultraheat blank cover	1
50	30040-61200		S 3002 Shielding plate	1
60	30040-14900		S 3002 Damper	1
70	10010-40000		PT-Screw S 50x16	1
80	30040-36500		Truma Logo, sepia brown	1
180	30090-00040	813600K	Operating kit S 3002	1
	30090-00041	853700K	Operating kit S 5002	1
190	30090-00042	800300K	Piezo ignitor kit kit S 3002 P from 06/99	1
190	30030-00300	800300	Piezo ignitor kit kit S 3002 P 05/96-05/99	1

Truma S 3004 / S 5004 Exterior (05/12 onwards)



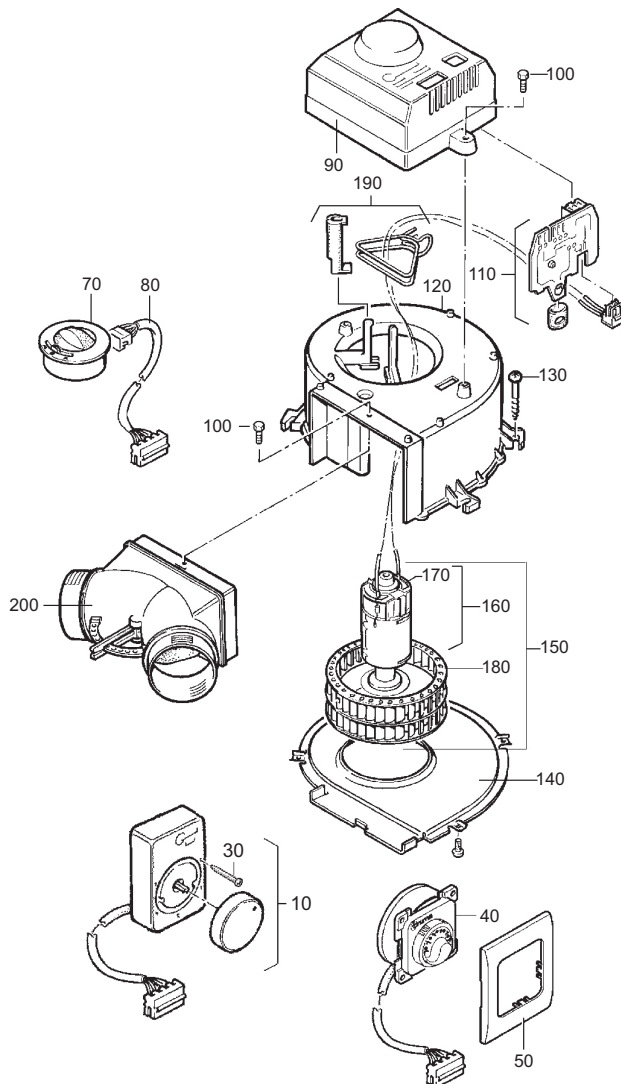
	Truma No.	Grove No.	Description	Qty
10	30090-93100		S 3004/5004 blank cover 54 mm	1
20	30090-44700		Ultraheat blank cover, S 3004/5004	1
30	30090-94900	894900	Cover S3004	1
	30090-93200		Cover S5004	1
40	30090-93300		Sensor cpl.	1
50	30090-93000		Cable sensor supply	1
60	30090-38100		Connector cable CI	1
70	30090-44300		Flat fuse 3 A / 32 V	1
80	30090-90600		Knob socket depressed	1
	30090-16200		Knob socket illum. cpl.	1
110	30090-90500		Control knob lighted	1
	30090-90400	890400	Push button unlit	1
120	30090-98800		Control knob chrome	1
130	30090-95000		S 3004 support	1
	30090-93500		S 5004 support	1
140	30090-95200		S 3004 front cover, titanium grey	1
	30090-95300		S 3004 front cover, pearl grey	1
	30090-93800		S 5004 front cover, titanium grey	1
	30090-93900		S 5004 front cover, pearl grey	1
150	30090-95400		S 3004 retro cover, titanium grey	1
	30090-95500		S 3004 retro cover, pearl grey	1
	30090-95600		S 3004 C retro cover, titanium grey	1
	30090-95700		S 3004 C retro cover, pearl grey	1
	30090-94000		S 5004 retro cover, titanium grey	1
	30090-94100		S 5004 retro cover, pearl grey	1
	30090-94300		S 5004 C retro cover, pearl grey	1
160	40000-93000		Integrated Control Panel Lighted	1
	30420-02	830060PG	S3004 front case pearl grey complete	1
	30420-01	830060TG	S3004 front case titan grey complete	1
	30430-02	830070PG	S5004 front case pearl grey complete	1
	30430-01	830070TG	S5004 front case titan grey complete	1

Multivent Fan TBM



	Truma No.	Grove No.	Description TEB 2 / TEN 2	Qty
30	40010-13700		Cont.Panel multivent	1
	40010-13300		Bed. Multivent_sw	1
	34000-67700		Cover frame, black	1
40	34000-67700		Cover frame, black	1
80	40000-14300	814300	D.C. Motor 12v	1
90	39010-17400		Carbon brushes, red/black	1
90	40000-28800	828800	Carbon brush kit, white/black	1
100	40000-13100		Anti-interfer.Capacitor	1
120	10010-71300		ST screw ISO 14585 ST2,9x9,5-A2K-C	1
130	10010-72700		ST screw ISO 7049 ST3,5x22-A2K-C-Z	1

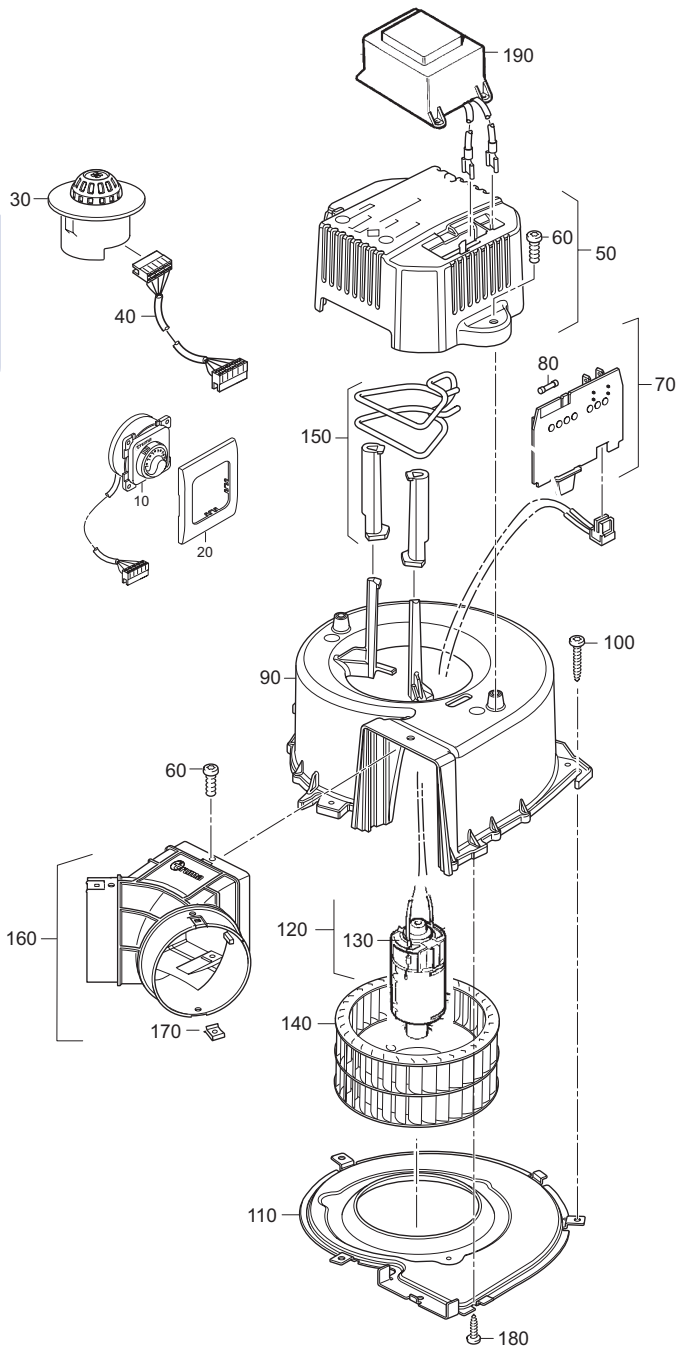
Trumavent TEB-2 / TEN-2



	Truma No.	Grove No.	Description TEB 2 / TEN 2	Qty
10	40000-44100		Control panel TEB2 2,5m	1
30	10010-78900		ST screw ISO 7051 ST2,9x25-BR-C-Z	1
40	40000-52900		TEB-2 control panel, ext., cable 2.5 m	1
50	34000-67700		Cover frame, black	1
70	40000-46000	846000	TEB-2 control panel, integrated	1
80	40000-45000	845000	Control panel cable 0.8 m	1
80	40000-47900		Control panel cable 1.3 m	1
90	40000-43000		Cover TEB 2	1
100	10010-83700		Screw DIN 7500 M4x10-A2K	1
110	40000-60900	857100	TEB-2 electronics	1
120	40000-41000		Fan case	1
130	10010-72700		ST screw ISO 7049 ST3,5x22-A2K-C-Z	1
140	40000-41200		Cover	1
150	40000-42400	842400	TEB-2/TEN-2, 12 V motor with fan wheel	1
160	40000-42000	842000	D.C. motor 12 V	1
170	40000-28800	828800	Carbon brush kit, white/black	1
180	40000-42500		Fan wheel TEB 2	1
190	40000-93700		Motor fastening kit, Includes items below	1
	40000-43700		Wire clip	1
	40000-40600		Vibration absorber	1
200	40000-43300		Y-PIECE CPL.	1
210	40000-39900		Transformer SPU	1

Trumavent TEB-3 / TEN-3

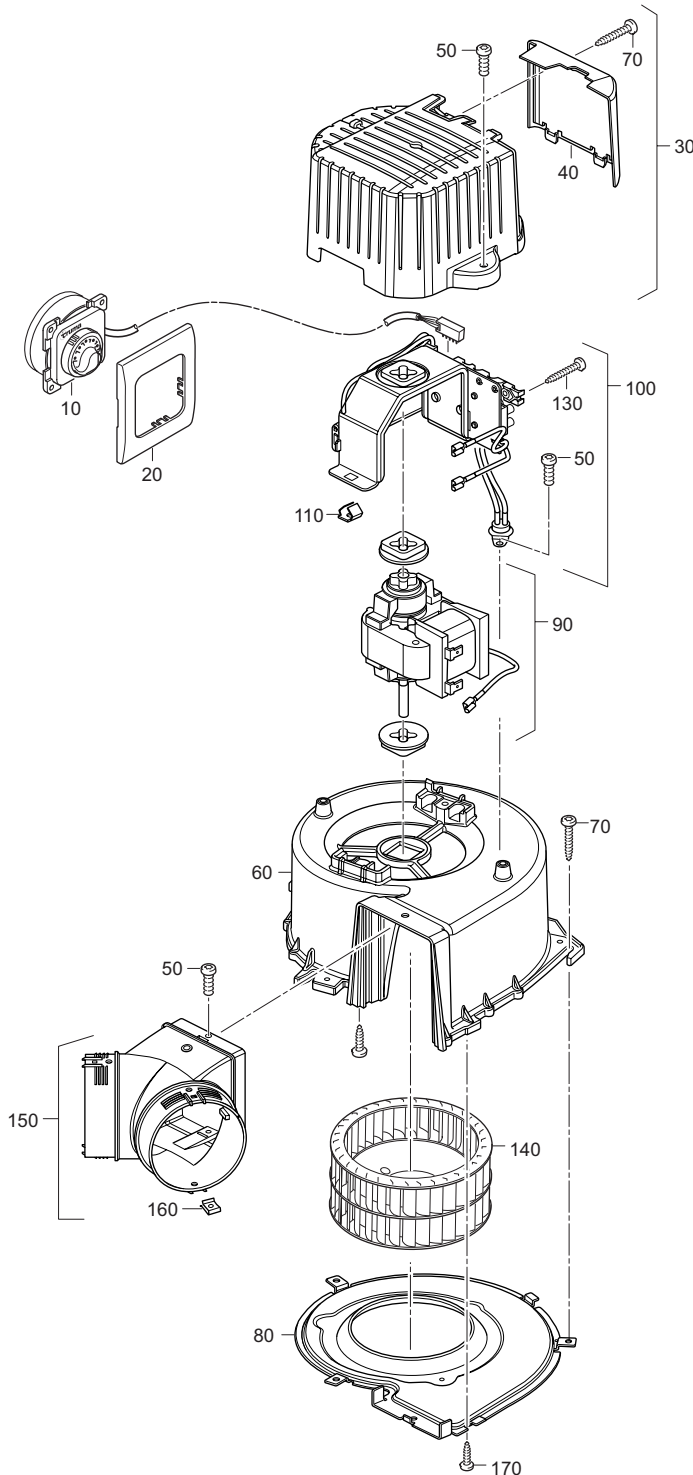
Truma



	Truma No.	Grove No.	Description TEB 3 / TEN 3	Qty
10	40000-67400		TEB-3 external control panel, black Includes items below	1
	40000-65700		BED. TEB EXT. 2.5M_SW	1
	34000-67700		Cover frame, black	1
20	34000-67700		Cover frame, black	1
30	40000-92900		Integr contr panel chrom	1
	40000-93000		Integr contr pan lighted	1
	40000-92800		Integrated control panel	1
40	40000-93100		Control panel cable 1.3 m	1
	40000-93200		Control panel cable 0.8 m	1
50	40000-93300		TEB-3 cover, Includes items below	1
	40000-36900		Cover TEB3	1
	10010-83300		Screw DIN 7500-PE M4x10-A2K	2
60	10010-83300		Screw DIN 7500-PE M4x10-A2K	1
70	40000-93400	893400	TEB-3 electronics	1
80	40000-93500		Fine wire fuse 2.5 AM	1
90	40000-33700		Spiral casing TEB-3	1
100	10010-74400		ST screw ISO 7049 ST3,5x19-A2K-C-Z	1
110	40000-34600		TEB-3 / TN-3 cover	1
120	40000-93600	893600	D.C motor 12V	1
130	40000-28800	828800	Carbon brush kit, white/black	1
140	40000-42500		Fan wheel TEB 2	1
150	40000-93700		Motor fastening kit, Includes items below	1
	40000-43700		Wire clip	1
	40000-40600		Vibration absorber	2
160	40000-92700		Warm air distributor	1
	40000-34400		Warm air distributor	1
	34020-22300		Clip ducts	2
	10010-70000		ST screw ISO 14585 ST2,9x6,5-A2K-C	3
	10010-71700		ST screw ISO 7049 ST3,5x6,5-A2K-C-Z	3
170	34020-24000		Clips 4 pcs.	1
180	10010-71300		ST screw ISO 14585 ST2,9x9,5-A2K-C	1
190	40000-39900		Transformer SPU	1

Trumavent TN-3

(05/02-)

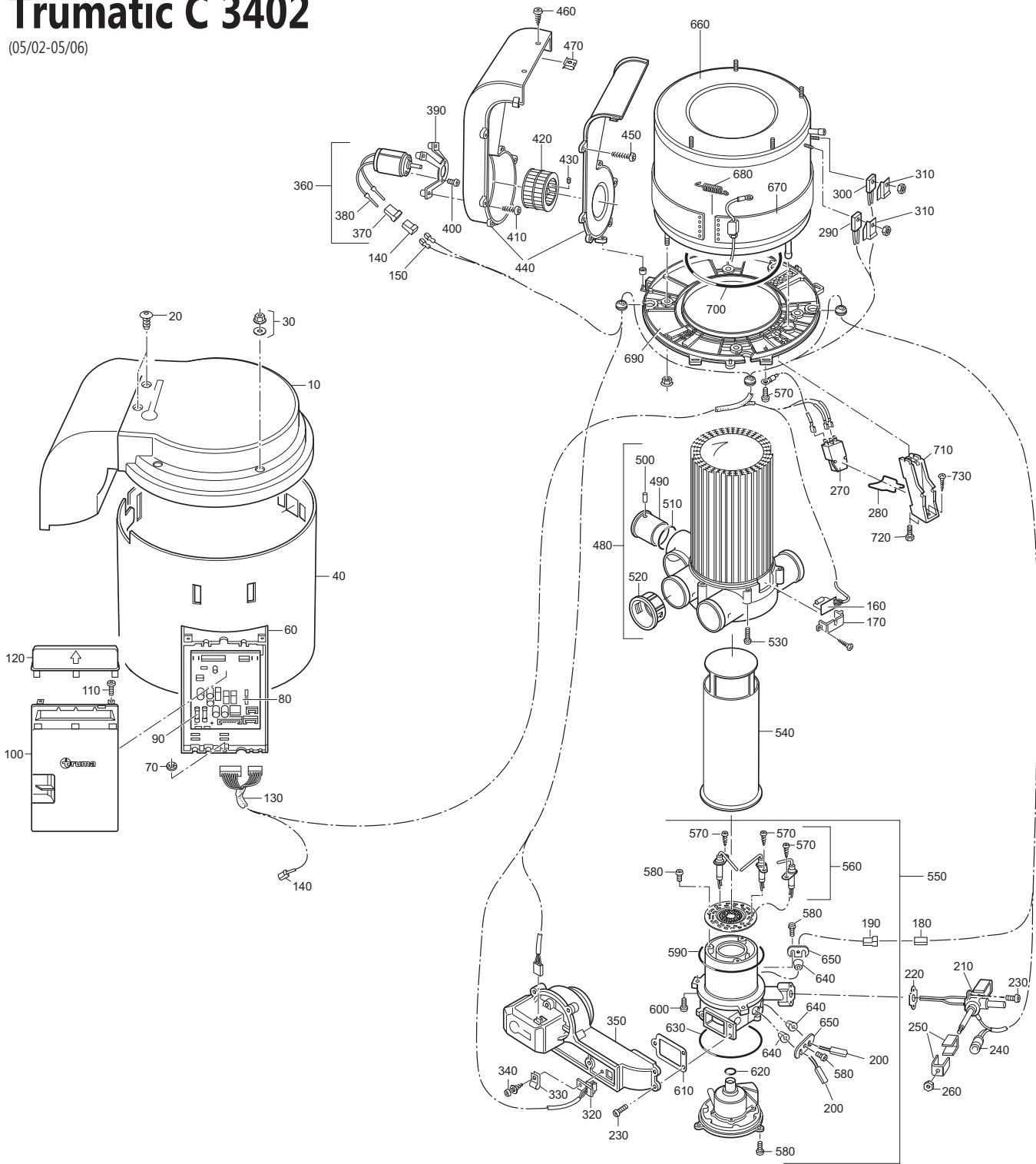


	Truma No.	Grove No.	Description	Qty
10	40000-67500		TN-2/3 control panel, black, cable 2.5m Includes items below	1
	40000-65600		BED. TN EXT.2,5M_SW	1
	34000-67700		Cover frame, black	1
10	40000-67600		TN-2/3 control panel, black, cable 1.5m Includes items below	1
	40000-66200		BED. TN EXT.1,5M_SW	1
	34000-67700		Cover frame, black	1
20	34000-67700		Cover frame, black	1
30	40000-92300		TN-3 cover, Includes items below	1
	40000-32700		Kappe TN3	1
	40000-32900		Deckel TN3	1
	10010-74400		ST screw ISO 7049 ST3,5x19-A2K-C-Z	1
	10010-83300		Screw DIN 7500-PE M4x10-A2K	2
40	40000-92400		TN-3 cover, Includes items below	1
	40000-32900		Deckel TN3	1
	10010-74400		ST screw ISO 7049 ST3,5x19-A2K-C-Z	1
50	10010-83300		Screw DIN 7500-PE M4x10-A2K	1
60	40000-32600		Spiral casing TN-3	1
70	10010-74400		ST screw ISO 7049 ST3,5x19-A2K-C-Z	1
80	40000-34600		TEB-3 / TN-3 cover	1
90	40000-92500		Split-pole motor 230 V Includes items below	1
	40000-32800		Motor 230 V	1
	40000-11300		Bearing block wave shape	2
100	40000-92600		TN-2/TN-3 motoryoke Includes items below	1
	40000-31300		Motorbügel TN3 cpl.	1
	10010-71000		ST screw ISO 7049 ST2,9x19-A2K-C-Z	2
110	30070-11500		Spring nut	1
130	10010-71000		ST screw ISO 7049 ST2,9x19-A2K-C-Z	1
140	40000-42700		Fan wheel TN-2	1
150	40000-92700		Warm air distributor Includes items below	1
	40000-34400		Warm air distributor	1
	34020-22300		Clip ducts	2
	10010-70000		ST screw ISO 14585 ST2,9x6,5-A2K-C	3
	10010-71700		ST screw ISO 7049 ST3,5x6,5-A2K-C-Z	3
160	34020-24000		Clips 4 pcs.	1
170	10010-71300		ST screw ISO 14585 ST2,9x9,5-A2K-C	1

Trumatic C 3402

(05/02-05/06)

Truma



Controls and Thermostat

	Truma No.	Grove No.	Description	Qty
10	34000-59000	859000	Control panel Trumatic C	1
20	34030-29900		Housing cover black	1
30	34000-09300	809300	Control panel cable 3 m	1
40	34000-09400	809400	Control panel cable 5 m	1
50	34000-09800		Coupler of control panel	1
60	34300-01	834301	Extension cable for control panel, 5 m	1
10	34203-01		Room temperature sensor FFC 2	1
20	34000-71900	834205	Cable for remote sensor FF 2, 4 m	1
30	34000-71800	834206	Adapter cable jack socket	1

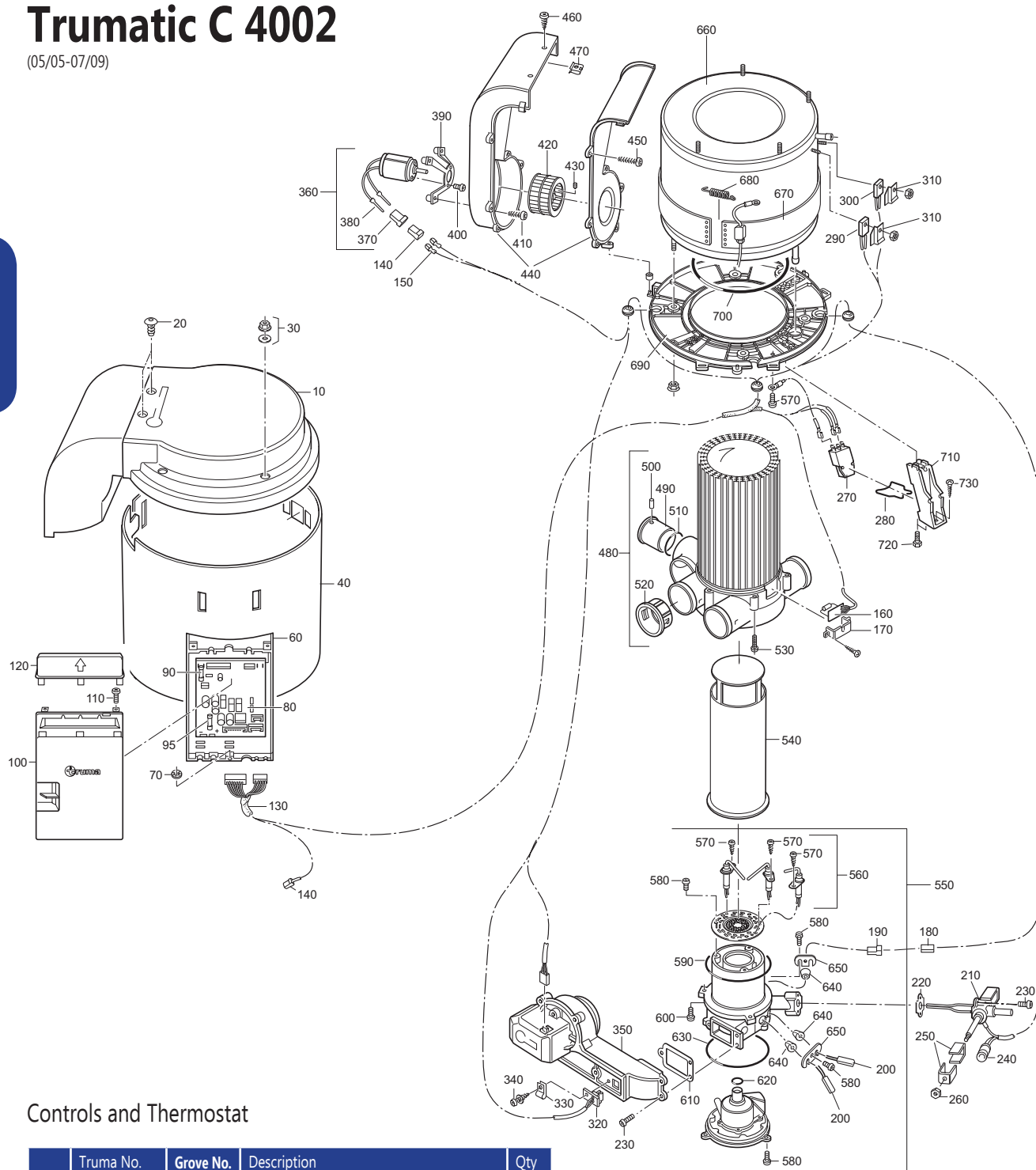
	Truma No.	Grove No.	Description	Qty
10	34010-08000		Case cover Includes items below	1
	34000-75000		Cover	1
	34000-50600		Seal	2
	10020-18400		Nut M5 PA6.6 SEL-	4
	10020-11900		Washer silicone 5,5X15	4
	34000-48900		U-BLECH	1
20	34000-50600		Seal	1
30	34010-16000		Screw/nut set (4X) Includes items below	1
	10020-11900		Washer silicone 5,5X15	4
	10020-18400		Nut M5 PA6.6 SEL-	4
40	34000-43500		Casing II	1
60	34000-06100		Electronic housing	1
70	34000-51900		Starlock washer	1
80	34000-98000	898000	Electronics C 3402 from 05/2002	1
90	34000-33100	833100	Fine wire fuse 4 AT	1
100	34000-91100		C 3402/4002/6002 (EH) electronics cover	1
110	30050-13000		Plast screw W1412 3x8-10.9-A3K-Z1	1
120	34000-91200		Trumatic C connector cover	1
130	34000-71200		Cable harness C34/60	1
140	34000-31700		Connection plug 2-pin	1
150	34000-33900		Flat connector 2,8 mm	1
160	34000-51300		Thermost. plate CPL.II	1
170	34000-04500		Thermostat holder	1
180	34000-31500		Connection plug 1-pin	1
190	34000-03900		Connector 1 pin	1
200	34000-50700		Connector	1
210	34000-24100	898501A	C 3402 valve body, 30 mbar	1
220	34000-02300		Gasket	1
230	10010-11500		Screw DIN 7500-PE M4x12-A2K	1
240	34000-81000	898501B	Solenoid coils	1
250	70000-54600		U-sheet kit, 2 pcs.	1
260	10020-25000		SLN w/ serrated bearing M4-8-A2K-AF7-Zg	1
270	34010-14100		Trumatic C ignitor	1
280	34000-53500		Trumatic C ignitor clamp	1
290	34000-34200	834201	Therm. observer temperature Includes items below	1
	34000-31100		Wassertemperaturschalter	1
	10020-17400		Press nut B 51010 M3-A2K	1
300	34000-34300	834300	Temperature sensor Includes items below	1
	34000-31200		Wassertemperaturfühl.Kpl.	1
	10020-17400		Press nut B 51010 M3-A2K	1
310	70000-07000		Heat conducting plate	1
320	34000-83500		Thermostate plate	1
330	34000-57400		Cable clip	1
340	10010-89000		Screw. KPLAST30X10TC+PZ	1
350	34000-55000	855000	Combustion air fan	1
360	34000-70500		D.C. motor 12V C3402/6002	1
370	34000-31600		Connector housing 2-pin	1
380	34000-33800		Flat connector 2,8 mm	1
390	34000-04400		Motor flange Trumatic C	1
400	10010-13600		CS screw DIN 965 M12-4.8-A2K-AF19-S	1
410	10010-51100		Screw DIN 7500 M5x12-A2K	1
420	34000-04700	S43262	Fan wheel	1

	Truma No.	Grove No.	Description	Qty
430	10020-41000		Set screw ISO 4029 M4x4-45H	1
440	34010-08100		Fan housing complete Includes items below	1
	34000-70300		Verschlußteil	1
	34000-70100		Gehäuse-Hlg	1
	34000-70200		Deckel-Hlg	1
	39010-55400		Sheet Nut 4,2	2
	34000-50600		Seal	2
	10010-40600		Pt-Screw Delta Wn 1452 30X15-A2k	7
	34000-48900		U-Blech	1
450	10010-40600		PT-screw DELTA WN 1452 30x15-A2K	1
460	10010-91200		ST screw ISO 14585 ST4,2x13-A2K-C	1
470	39010-55400		Sheet nut 4,2	1
480	34000-82500		C 6002 heat exchanger	1
490	34000-02700		Sleeve	1
500	10020-41400		Dowel pin 2,5 x 10	1
510	34010-05700	898306	O-ring 40 x 2.5 mm, VMQ	1
520	34000-06900		Reducer VR-ÜR	1
530	10010-51200		Screw DIN 7500 M5x16-A2K	1
540	34000-52700		C 3402/4002/6002 flame tube	1
550	34000-85000		Trumatic C burner kit	1
560	34020-00242	801334K	Trumatic C ignition electrode kit Includes items below	1
	34000-44100		Ignition electrode 78 degree	1
	34000-44200		Ignition electrode 90 degree	1
	34000-44300		Flame rectification electrode	1
	10010-70000		ST screw ISO 14585 ST2,9x6,5-A2K-C	3
	10030-23600		O-ring 16 x 3.55 mm, FKM	1
	10030-27000		O-ring 110 x 2 mm, FKM	1
580	10010-83300		Screw DIN 7500-PE M4x10-A2K	1
590	10030-27000		O-ring 110 x 2 mm, FKM	1
600	10010-51000		Screw DIN 7500-DE M5x16-A2K	1
610	34000-05600		Trumatic C burner gasket	1
620	10030-23600		O-ring 16 x 3.55 mm, FKM	1
630	10030-26900		O-ring 90 x 3 mm, VMQ	1
640	34000-57100		Seal	1
650	34000-57200		Clamp sheet	1
660	34000-88000	801040	Water container	1
670	34000-57500	801336	Heating collar 230V	1
680	34000-57600		Retaining spring	1
690	34000-41500		Base plate	1
700	34000-03100		O-ring 203 x 4	1
710	34000-01900		Foot	1
720	10010-51500		Screw DM 5x20 galvanised	1
730	10010-66200		ST screw ISO 7049 ST5,5x25-A2K-C-Z	1

Trumatic C 4002

(05/05-07/09)

Truma



Controls and Thermostat

	Truma No.	Grove No.	Description	Qty
10	34000-59000	859000	Control panel Trumatic C	1
20	34030-29900		Housing cover black	1
30	34000-09300	809300	Control panel cable 3 m	1
40	34000-09400	809400	Control panel cable 5 m	1
50	34000-09800		Coupler of control panel	1
60	34300-01	834301	Extension cable for control panel, 5 m	1
70	34000-63800		Control panel Trumatic C EL	1
80	34000-67700		Cover frame, black	1
10	34203-01		Room temperature sensor FFC 2	1
20	34000-71900	834205	Cable for remote sensor FF 2, 4 m	1
30	34000-71800	834206	Adapter cable jack socket	1

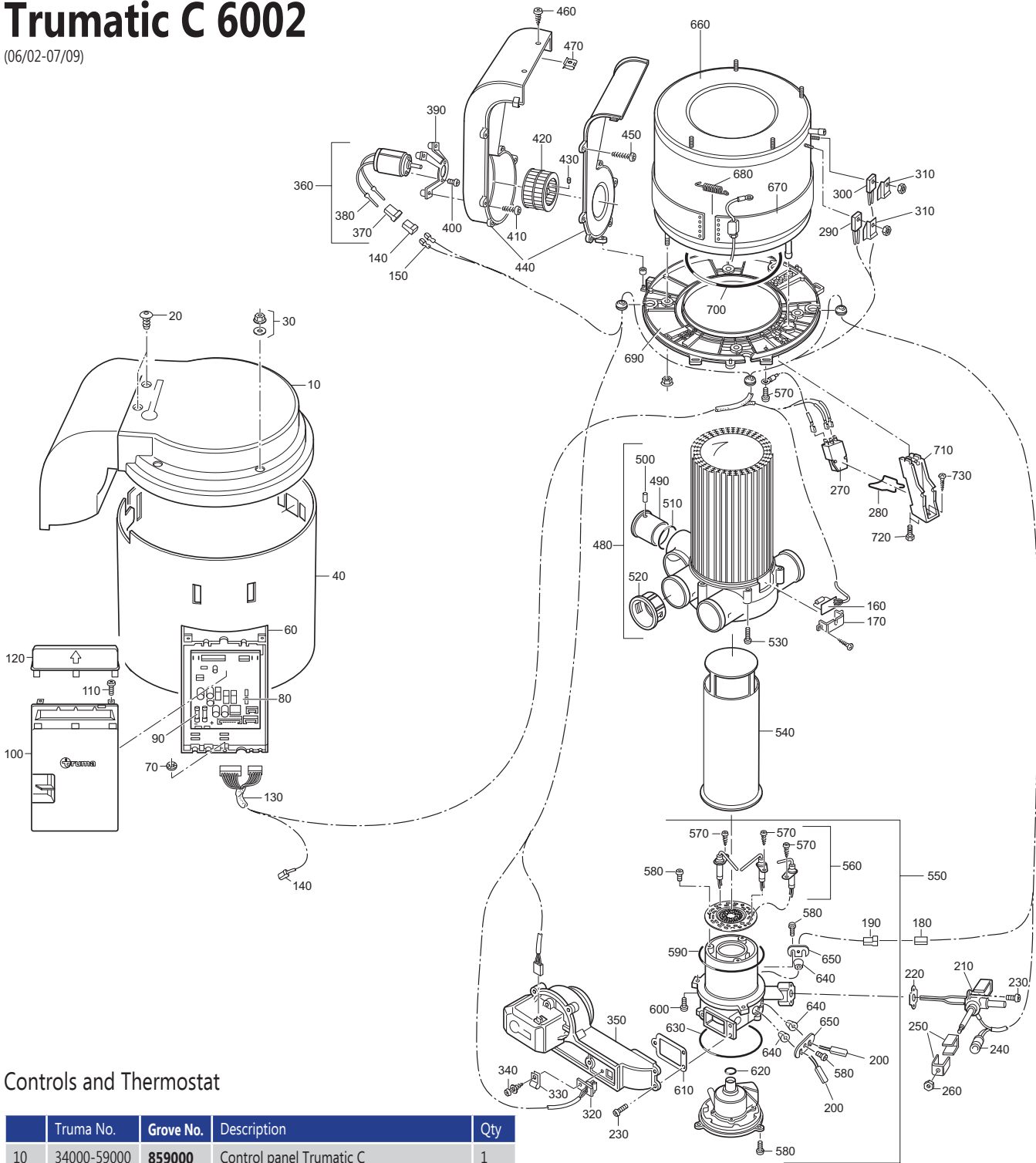
	Truma No.	Grove No.	Description	Qty
10	34010-08000		Case cover Includes items below	1
	34000-75000		Cover	1
	34000-50600		Seal	2
	10020-18400		Nut M5 PA6.6 SEL-	4
	10020-11900		Washer silicone 5,5X15	4
	34000-48900		U-BLECH	1
20	34000-50600		Seal	1
30	34010-16000		Screw/nut set (4X) Includes items below	1
	10020-11900		Washer silicone 5,5X15	4
	10020-18400		Nut M5 PA6.6 SEL-	4
40	34000-43500		Casing II	1
60	34000-06100		Electronic housing	1
70	34000-51900		Starlock washer	1
80	34010-71800	898000	Electronics C 3402 from 05/2002	1
90	70000-07100	828900	Fine wire fuse 1.6 AT	1
95	34000-76800	876800	Fine wire fuse 6.3 AT	1
100	34000-91100		C 3402/4002/6002 (EH) electronics cover	1
110	30050-13000		Plast screw W1412 3x8-10.9-A3K-Z1	1
120	34000-91200		Trumatic C connector cover	1
130	34010-73000		Cable harness C34/60	1
140	34000-31700		Connection plug 2-pin	1
150	34000-33900		Flat connector 2,8 mm	1
160	34000-51300		Thermost. plate CPL.II	1
170	34000-04500		Thermostat holder	1
180	34000-31500		Connection plug 1-pin	1
190	34000-03900		Connector 1 pin	1
200	34000-50700		Connector	1
210	34000-21400	898501A	C 3402 valve body, 30 mbar	1
220	34000-02300		Gasket	1
230	10010-11500		Screw DIN 7500-PE M4x12-A2K	1
240	34000-81000	898501B	Solenoid coils	1
250	70000-54600		U-sheet kit, 2 pcs.	1
260	10020-25000		SLN w/ serrated bearing M4-8-A2K-AF7-Zg	1
270	34010-14100		Trumatic C ignitor	1
280	34000-53500		Trumatic C ignitor clamp	1
290	34000-34200	834201	Therm. observer temperature Includes items below	1
	34000-31100		Wassertemperaturschalter	1
	10020-17400		Press nut b 51010 m3-a2k	1
300	34000-34300	834300	Temperature sensor Includes items below	1
	34000-31200		Wassertemperaturfühl.Kpl.	1
	10020-17400		Press nut B 51010 M3-A2K	1
310	70000-07000		Heat conducting plate	1
320	34000-83500		Thermostate plate	1
330	34000-57400		Cable clip	1
340	10010-89000		Screw. KPLAST30X10TC+PZ	1
350	34000-55000	855000	Combustion air fan	1
360	34000-77300	814302	D.C. motor 12V C6002D	1
370	34000-31600		Connector housing 2-pin	1
380	34000-33800		Flat connector 2,8 mm	1
390	34000-04400		Motor flange Trumatic C	1
400	10010-13600		CS screw DIN 965 M12-4.8-A2K-AF19-S	1
410	10010-51100		Screw DIN 7500 M5x12-A2K	1

	Truma No.	Grove No.	Description	Qty
420	34000-04700	S43262	Fan wheel	1
430	10020-41000		Set screw ISO 4029 M4x4-45H	1
440	34010-08100		Fan housing complete Includes items below	1
	34000-70300		Verschlußteil	1
	34000-70100		Gehäuse-Hlg	1
	34000-70200		Deckel-Hlg	1
	39010-55400		Sheet Nut 4,2	2
	34000-50600		Seal	2
	10010-40600		Pt-Screw Delta Wn 1452 30X15-A2k	7
	34000-48900		U-Blech	1
450	10010-40600		PT-screw DELTA WN 1452 30x15-A2K	1
460	10010-91200		ST screw ISO 14585 ST4,2x13-A2K-C	1
470	39010-55400		Sheet nut 4,2	1
480	34000-82500		C 6002 heat exchanger	1
490	34000-02700		Sleeve	1
500	10020-41400		Dowel pin 2,5 x 10	1
510	34010-05700	898306	O-ring 40 x 2.5 mm, VMQ	1
520	34000-06900		Reducer VR-ÜR	1
530	10010-51200		Screw DIN 7500 M5x16-A2K	1
540	34000-52700		C 3402/4002/6002 flame tube	1
550	34000-85000		Trumatic C burner kit	1
560	34020-00242	801334K	Trumatic C ignition electrode kit Includes items below	1
	34000-44100		Ignition electrode 78 degree	1
	34000-44200		Ignition electrode 90 degree	1
	34000-44300		Flame rectification electrode	1
	10010-70000		ST screw ISO 14585 ST2,9x6,5-A2K-C	3
	10030-23600		O-ring 16 x 3,55 mm, FKM	1
	10030-27000		O-ring 110 x 2 mm, FKM	1
570	10010-70000		ST screw ISO 14585 ST2,9x6,5-A2K-C	1
580	10010-83300		Screw DIN 7500-PE M4x10-A2K	1
590	10030-27000		O-ring 110 x 2 mm, FKM	1
600	10010-51000		Screw DIN 7500-DE M5x16-A2K	1
610	34000-05600		Trumatic C burner gasket	1
620	10030-23600		O-ring 16 x 3.55 mm, FKM	1
630	10030-26900		O-ring 90 x 3 mm, VMQ	1
640	34000-57100		Seal	1
650	34000-57200		Clamp sheet	1
660	34000-88000	801040	Water container	1
670	34000-57500	801336	Heating collar 230V	1
680	34000-57600		Retaining spring	1
690	34000-41500		Base plate	1
700	34000-03100		O-ring 203 x 4	1
710	34000-01900		Foot	1
720	10010-51500		Screw DM 5x20 galvanised	1
730	10010-66200		ST screw ISO 7049 ST5,5x25-A2K-C-Z	1

Trumatic C 6002

(06/02-07/09)

Truma



Controls and Thermostat

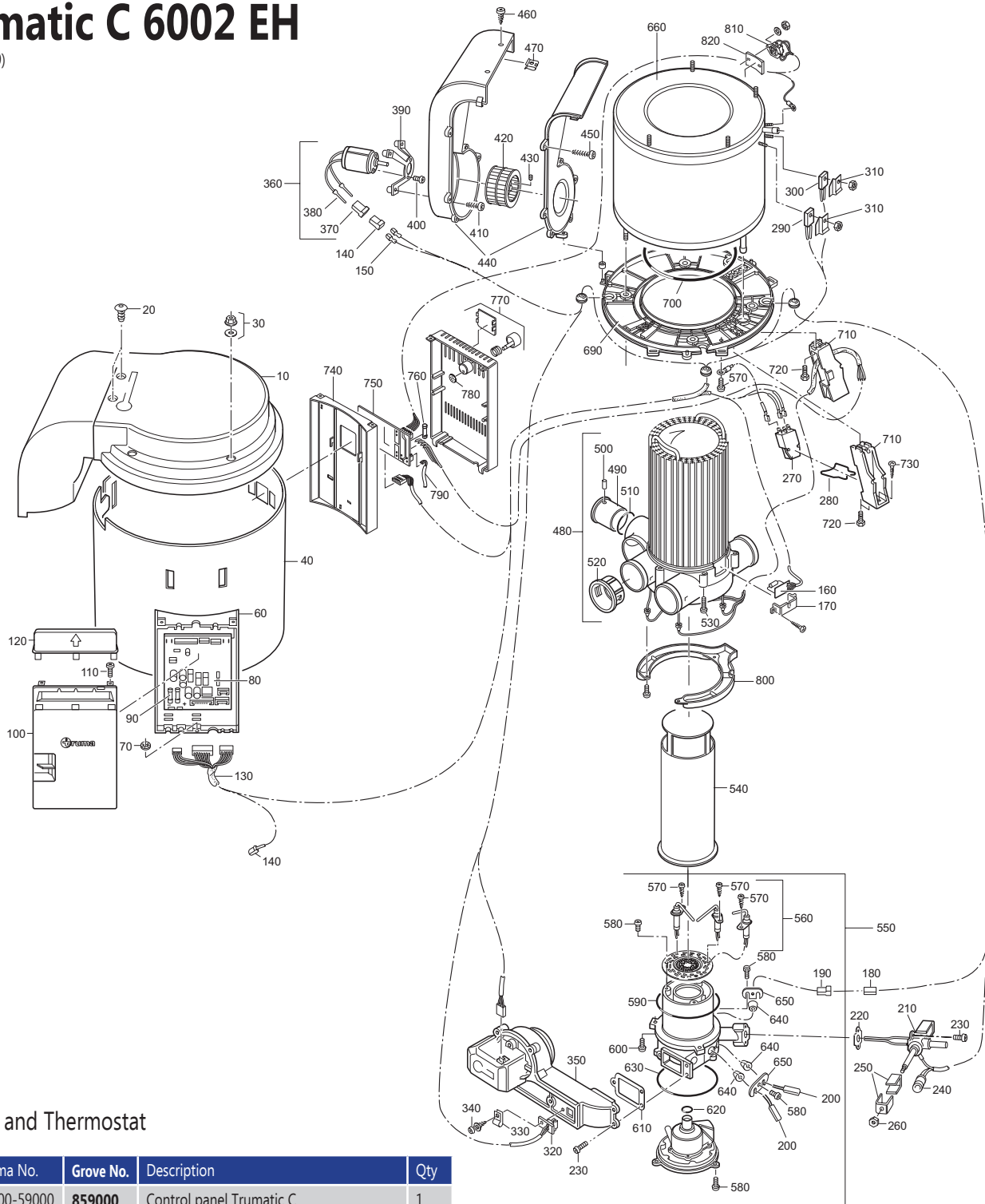
	Truma No.	Grove No.	Description	Qty
10	34000-59000	859000	Control panel Trumatic C	1
20	34030-29900		Housing cover black	1
30	34000-09300	809300	Control panel cable 3 m	1
40	34000-09400	809400	Control panel cable 5 m	1
50	34000-09800		Coupler of control panel	1
60	34300-01	834301	Extension cable for control panel, 5 m	1
70	34000-63800		Control panel Trumatic C EL	1
80	34000-67700		Cover frame, black	1
10	34203-01		Room temperature sensor FFC 2	1
20	34000-71900	834205	Cable for remote sensor FF 2, 4 m	1
30	34000-71800	834206	Adapter cable jack socket	1

	Truma No.	Grove No.	Description	Qty
10	34010-08000		Case cover Includes items below	1
	34000-75000		Cover	1
	34000-50600		Seal	2
	10020-18400		Nut M5 PA6.6 SEL-	4
	10020-11900		Washer silicone 5,5X15	4
	34000-48900		U-blech	1
20	34000-50600		Seal	1
30	34010-16000		Screw/nut set (4X) Includes items below	1
	10020-11900		Washer silicone 5,5X15	4
	10020-18400		Nut M5 PA6.6 SEL-	4
40	34000-43500		Casing II	1
50	10010-64600		ST screw ISO 10510 ST3,5x13-A2K-C-S1-N	1
60	34000-06100		Electronic housing	1
70	34000-51900		Starlock washer	1
80	34000-98100	898300A	Electronics C 6002 07/01-07/09	1
80	34000-77100	807101	Electronics C 6002 06/97-06/01	1
90	34000-76800	876800	Fine wire fuse 6.3 AT	1
100	34000-91100		C 3402/4002/6002 (EH) electronics cover	1
110	30050-13000		Plast screw W1412 3x8-10.9-A3K-Z1	1
120	34000-91200		Trumatic C connector cover	1
130	34000-71200		Cable harness C34/60	1
140	34000-31700		Connection plug 2-pin	1
150	34000-33900		Flat connector 2,8 mm	1
160	34000-51300		Thermost. plate CPL.II	1
170	34000-04500		Thermostat holder	1
180	34000-31500		Connection plug 1-pin	1
190	34000-03900		Connector 1 pin	1
200	34000-50700		Connector	1
210	34000-21400	898301	C 4002/6002 (EH) valve body, 30 mbar	1
220	34000-02300		Gasket	1
230	10010-11500		Screw DIN 7500-PE M4x12-A2K	1
240	34000-81000	898501B	Solenoid coils	1
250	70000-54600		U-sheet kit, 2 pcs.	1
260	10020-25000		SLN w/ serrated bearing M4-8	1
270	34010-14100		Trumatic C ignitor	1
280	34000-53500		Trumatic C ignitor clamp	1
290	34000-34200	834201	Therm. observer temperature Includes items below	1
	34000-31100		Wassertemperaturschalter	1
	10020-17400		Press nut b 51010 m3-a2k	1
300	34000-34300	834300	Temperature sensor Includes items below	1
	34000-31200		Wassertemperaturfühl.Kpl.	1
	10020-17400		Press nut B 51010 M3-A2K	1
310	70000-07000		Heat conducting plate	1
320	34000-83500		Thermostate plate	1
330	34000-57400		Cable clip	1
340	10010-89000		Screw. KPLAST30X10TC+PZ	1
350	34000-55000	855000	Combustion air fan	1
360	34000-77300	DISC	D.C. motor 12V C6002D	1
370	34000-31600		Connector housing 2-pin	1
380	34000-33800		Flat connector 2,8 mm	1
390	34000-04400		Motor flange Trumatic C	1
400	10010-13600		CS screw DIN 965 M12-4.8-A2K-AF19-S	1
410	10010-51100		Screw DIN 7500 M5x12-A2K	1

	Truma No.	Grove No.	Description	Qty
420	34000-04700	S43262	Fan wheel	1
430	10020-41000		Set screw ISO 4029 M4x4-45H	1
440	34010-08100		Fan housing complete Includes items below	1
	34000-70300		Verschlußteil	1
	34000-70100		Gehäuse-Hlg	1
	34000-70200		Deckel-Hlg	1
	39010-55400		Sheet Nut 4,2	2
	34000-50600		Seal	2
	10010-40600		Pt-Screw Delta Wn 1452 30X15-A2k	7
34000-48900		U-Blech	1	
450	10010-40600		PT-screw DELTA WN 1452 30x15-A2K	1
460	10010-91200		ST screw ISO 14585 ST4,2x13-A2K-C	1
470	39010-55400		Sheet nut 4,2	1
480	34000-82500		C 6002 heat exchanger	1
490	34000-02700		Sleeve	1
500	10020-41400		Dowel pin 2,5 x 10	1
510	34010-05700	898306	O-ring 40 x 2.5 mm, VMQ	1
520	34000-06900		Reducer VR-ÜR	1
530	10010-51200		Screw DIN 7500 M5x16-A2K	1
540	34000-52700		C 3402/4002/6002 flame tube	1
550	34000-85000		Trumatic C burner kit	1
560	34020-00242	801334K	Trumatic C ignition electrode kit Includes items below	1
	34000-44100		Ignition electrode 78 degree	1
	34000-44200		Ignition electrode 90 degree	1
	34000-44300		Flame rectification electrode	1
	10010-70000		ST screw ISO 14585 ST2,9x6,5-A2K-C	3
	10030-23600		O-ring 16 x 3,55 mm, FKM	1
	10030-27000		O-ring 110 x 2 mm, FKM	1
570	10010-70000		ST screw ISO 14585 ST2,9x6,5-A2K-C	1
580	10010-83300		Screw DIN 7500-PE M4x10-A2K	1
590	10030-27000		O-ring 110 x 2 mm, FKM	1
600	10010-51000		Screw DIN 7500-DE M5x16-A2K	1
610	34000-05600		Trumatic C burner gasket	1
620	10030-23600		O-ring 16 x 3,55 mm, FKM	1
630	10030-26900		O-ring 90 x 3 mm, VMQ	1
640	34000-57100		Seal	1
650	34000-57200		Clamp sheet	1
660	34000-88000	801040	Water container	1
670	34000-57500	801336	Heating collar 230V	1
680	34000-57600		Retaining spring	1
690	34000-41500		Base plate	1
700	34000-03100		O-ring 203 x 4	1
710	34000-01900		Foot	1
720	10010-51500		Screw DM 5x20 galvanised	1
730	10010-66200		ST screw ISO 7049 ST5,5x25-A2K-C-Z	1

Trumatic C 6002 EH

(06/02-07/09)



Controls and Thermostat

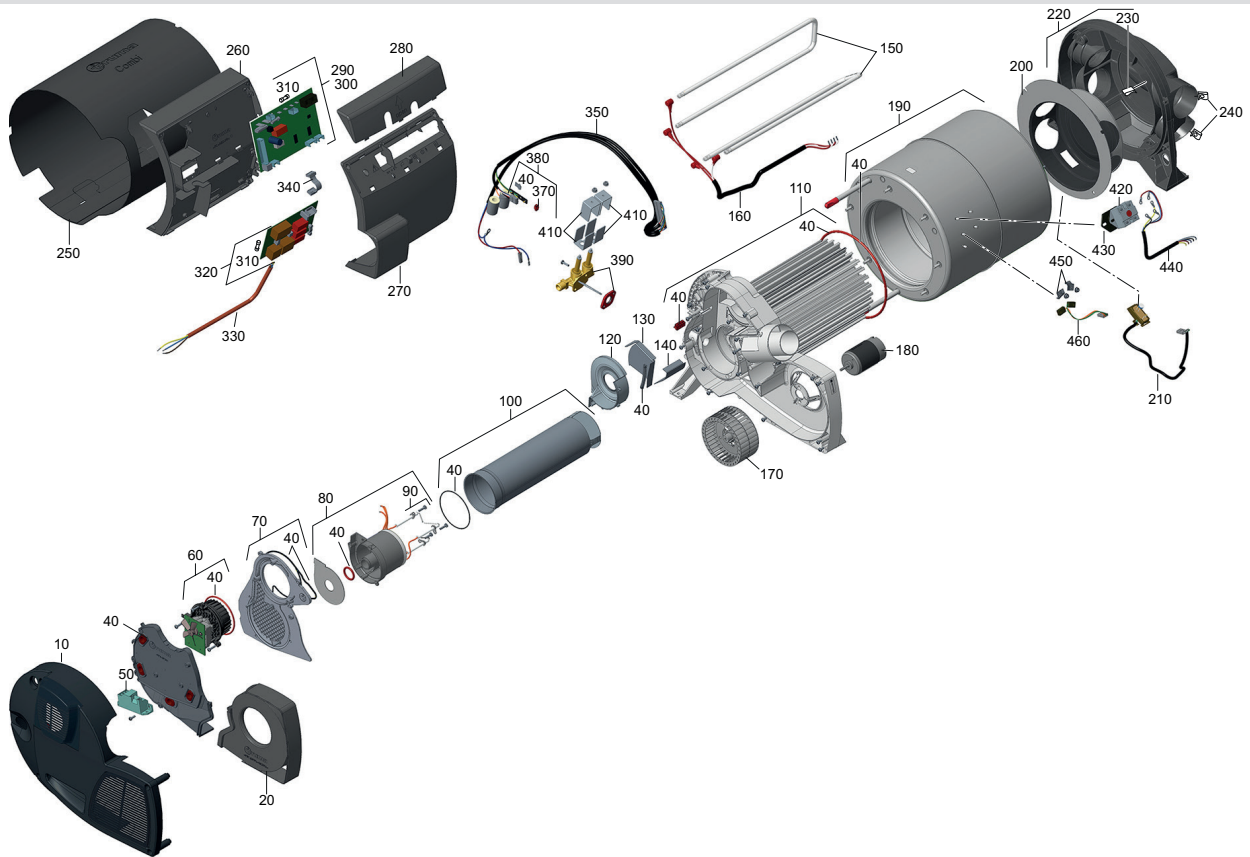
	Truma No.	Grove No.	Description	Qty
10	34000-59000	859000	Control panel Trumatic C	1
20	34000-09300	809300	Control panel cable 3 m	1
20	34000-09400	809400	Control panel cable 5 m	1
30	34300-01	834301	Extension cable for control panel, 5 m	1
40	34000-09800		Coupler of control panel	1
50	34010-01800		Power selector switch	1
60	34010-01900		Cable 3m power selector switch	1
60	34010-02000		Cable 5 m power selector switch	1
70	34010-02100		Extension cable for C EH 5 m	1
80	34010-06000		Coupling p. s. s. cable	1
90	34030-29900		Housing cover black	1
100	34000-67700		Cover frame, black	1

	Truma No.	Grove No.	Description	Qty		Truma No.	Grove No.	Description	Qty
10	34010-08000		Case cover Includes items below	1	430	10020-41000		Set screw ISO 4029 M4x4-45H	1
	34000-75000		Cover	1	440	34010-08100		Fan housing complete Includes items below	1
	34000-50600		Seal	2		34000-70300		Verschlußteil	1
	10020-18400		Nut M5 PA6.6 SEL-	4		34000-70100		Gehäuse-Hlg	1
	10020-11900		Washer silicone 5,5X15	4		34000-70200		Deckel-Hlg	1
	34000-48900		U-BLECH	1		39010-55400		Sheet Nut 4,2	2
20	34000-50600		Seal	1		34000-50600		Seal	2
30	34010-16000		Screw/nut set (4X) Includes items below	1		10010-40600		Pt-Screw Delta Wn 1452 30X15-A2k	7
	10020-11900		Washer silicone 5,5X15	4		34000-48900		U-Blech	1
	10020-18400		Nut M5 PA6.6 SEL-	4	450	10010-40600		PT-screw DELTA WN 1452 30x15-A2K	1
40	34000-43500		Casing II	1	460	10010-91200		ST screw ISO 14585 ST4,2x13-A2K-C	1
60	34000-06100		Electronic housing	1	470	39010-55400		Sheet nut 4,2	1
70	34000-51900		Starlock washer	1	480	34010-00300		C 6002 EH heat exchanger	1
80	34010-07100	807100	Electronic C6002 CEH	1	490	34000-02700		Sleeve	1
90	34000-76800	876800	Fine wire fuse 6.3 AT	1	500	10020-41400		Dowel pin 2,5 x 10	1
90	70000-07100	828900	Fine wire fuse 1.6 AT	1	510	34010-05700	898306	O-ring 40 x 2.5 mm, VMQ	1
100	34000-91100		C 3402/4002/6002 (EH) electronics cover	1	520	34000-06900		Reducer VR-ÜR	1
110	30050-13000		Plast screw W1412 3x8-10.9-A3K-Z1	1	530	10010-51200		Screw DIN 7500 M5x16-A2K	1
120	34000-91200		Trumatic C connector cover	1	540	34000-52700		C 3402/4002/6002 flame tube	1
130	34010-04100		Cable harness C6002 EH	1	550	34000-85000		Trumatic C burner kit	1
140	34000-31700		Connection plug 2-pin	1	560	34020-00242	801334K	Trumatic C ignition electrode kit Includes items below	1
150	34000-33900		Flat connector 2,8 mm	1		34000-44100		Ignition electrode 78 degree	1
160	34000-51300		Thermost. plate CPL.II	1		34000-44200		Ignition electrode 90 degree	1
170	34000-04500		Thermostat holder	1		34000-44300		Flame rectification electrode	1
180	34000-31500		Connection plug 1-pin	1		10010-70000		ST screw ISO 14585 ST2,9x6,5-A2K-C	3
190	34000-03900		Connector 1 pin	1		10030-23600		O-ring 16 x 3.55 mm, FKM	1
200	34000-50700		Connector	1		10030-27000		O-ring 110 x 2 mm, FKM	1
210	34000-21400	898301	C 4002/6002 (EH) valve body, 30 mbar	1	570	10010-70000		ST screw ISO 14585 ST2,9x6,5-A2K-C	1
220	34000-02300		Gasket	1	580	10010-83300		Screw DIN 7500-PE M4x10-A2K	1
230	10010-11500		Screw DIN 7500-PE M4x12-A2K	1	590	10030-27000		O-ring 110 x 2 mm, FKM	1
240	34000-81000	898501B	Solenoid coils	1	600	10010-51000		Screw DIN 7500-DE M5x16-A2K	1
250	70000-54600		U-sheet kit, 2 pcs.	1	610	34000-05600		Trumatic C burner gasket	1
260	10020-25000		SLN w/ serrated bearing M4-8	1	620	10030-23600		O-ring 16 x 3.55 mm, FKM	1
270	34010-14100		Trumatic C ignitor	1	630	10030-26900		O-ring 90 x 3 mm, VMQ	1
280	34000-53500		Trumatic C ignitor clamp	1	640	34000-57100		Seal	1
290	34000-34200	834201	Therm. observer temperature Includes items below	1	650	34000-57200		Clamp sheet	1
	34000-31100		Wassertemperaturschalter	1	660	34000-88000	801040	Water container	1
	10020-17400		Press nut b 51010 m3-a2k	1	670	34010-05400	802502	Cable heating element	1
300	34000-34300	834300	Temperature sensor Includes items below	1	680	34010-07400	802503	Cable heating element	1
	34000-31200		Wassertemperaturfühl.Kpl.	1	690	34000-41500		Base plate	1
	10020-17400		Press nut B 51010 M3-A2K	1	700	34000-03100		O-ring 203 x 4	1
310	70000-07000		Heat conducting plate	1	710	34000-01900		Foot	1
320	34000-83500		Thermostate plate	1	720	10010-51500		Screw DM 5x20 galvanised	1
330	34000-57400		Cable clip	1	730	10010-66200		ST screw ISO 7049 ST5,5x25-A2K-C-Z	1
340	10010-89000		Screw. KPLAST30X10TC+PZ	1	740	34010-02800		Electronic housing C6002 EH	1
350	34000-55000	855000	Combustion air fan	1	750	34010-07200		Power electronics C6002 EH	1
360	34000-77300	814302	D.C. motor 12V C6002D	1	760	34020-00073		Combi microfuse kit T10AH 10 pcs. Includes items below	1
370	34000-31600		Connector housing 2-pin	1		34010-05900		Fine wire fuse 10 AT, H	10
380	34000-33800		Flat connector 2,8 mm	1	770	34010-02900		C 6002 EH electronics cover	1
390	34000-04400		Motor flange Trumatic C	1	780	34000-51900		Starlock washer	1
400	10010-13600		CS screw DIN 965 M12-4.8-A2K-AF19-S	1	790	34010-04900		Power supply line 1,6 m	1
410	10010-51100		Screw DIN 7500 M5x12-A2K	1	800	34010-02300		Cable cover	1
420	34000-04700	S43262	Fan wheel	1	810	34010-01300		Overheating prot. WTS CEH	1
					820	34010-01200		Chock WTS C EH	1

Combi 2E UK (05/13-)

Truma

	Truma No.	Grove No.	Description	Qty		Truma No.	Grove No.	Description	Qty	
10	34020-00232	833814K	Combi (E) cover kit Includes items below	1	100	34020-60900		Combi flame tube Includes items below	1	
	34020-21600		Cover circulation air	1		34020-01700		Flame tube Combi	1	
	34020-07300		Grill	1		34020-08800		Round cord seal 80X2 mm	1	
	10010-13800		Screw DIN 7500-PE M4x16-A2K	4		110	34020-00229	861101K	Combi heat exchanger kit Includes items below	1
	34020-22300		Clip ducts	4			34020-00166		Exhaust collector cpl. gas 4/6 kW	1
20	34020-65000		Cover circul. air right	1	34020-10700		Acoustic plate 1	1		
40	34020-00246	833816K	Combi (E) seal kit Includes items below	1	34020-10800		Acoustic plate 2	1		
	10030-24200		O-ring 22 x 3 mm, VMQ	1	34020-01500		Spiral casing VBL	1		
	34020-52900		Sealing bracket coated	1	10030-24200		O-ring 22 x 3 mm, VMQ	1		
	34020-08600		Cable bushing	1	34020-52900		Sealing bracket coated	1		
	34020-08700		Round cord seal 79X3 mm	1	34020-08600		Cable bushing	1		
	34020-08800		Round cord seal 80X2 mm	1	34020-08700		Round cord seal 79X3 mm	1		
	34020-09900		Leadtrough bushing	4	34020-08800		Round cord seal 80X2 mm	1		
	34020-04600		Round sealing cord 202,5 x 3,1 mm	1	34020-09900		Leadtrough bushing	4		
	34020-14400		Sealing cord	1	34020-04600		Round sealing cord 202,5 x 3,1 mm	1		
	34020-14900		Insulating Plate	1	34020-14400		Sealing cord	1		
	34020-19700		Sealing profile 62mm	1	34020-14900		Insulating Plate	1		
	34020-55000		Form seal	1	34020-19700		Sealing profile 62mm	1		
	34020-10600		CAT sensor mount	1	34020-55000		Form seal	1		
	50	34020-00234	833815K	Combi (E) ignitor kit Includes items below	1	34020-10600		CAT sensor mount	1	
34020-10900			Combi ignitor 20 Hz	1	34020-22300		Clip ducts	4		
10010-13800			Screw DIN 7500-PE M4x16-A2K	4	10010-13800		Screw DIN 7500-PE M4x16-A2K	33		
34020-22300			Clip ducts	4	10010-11500		Screw DIN 7500-PE M4x12-A2K	4		
					10010-40900		Plast screw W1452 4x12-10.9-A3K-T20	4		
60	34020-00235	860300K	Combustion air motor kit Combi (E) Includes items below	1	10020-15100		Hexagon nut DIN 6927 M5-8-A2K-AF8-S	10		
	34020-03400		Combi combustion air motor	1	10020-41000		Set screw ISO 4029 M4x4-45H	1		
	34020-08700		Round cord seal 79X3 mm	1	10010-13600		CS screw DIN 965 M12-4.8-A2K-AF19-S	2		
	10010-13800		Screw DIN 7500-PE M4x16-A2K	4	10020-25000		SLN w/ serrated bearing M4-8	7		
	34020-22300		Clip ducts	4	120	34020-01500		Spiral casing VBL	1	
				130		34020-10700		Acoustic plate 1	1	
				140		34020-10800		Acoustic plate 2	1	
70	34020-60500		Cover combustion air E	1	150	34020-00228	861100K	Combi E heating element kit	1	
80	34020-00233	833813K	Combi (E) burner kit Includes items below	1		34020-01300		Heating element 230V Combi	2	
	34020-01200		Burner pot	1		10030-24200		O-ring 22 x 3 mm, VMQ	1	
	34020-02900		Separation metal sheet	1		34020-52900		Sealing bracket coated	1	
	10030-24200		O-ring 22 x 3 mm, VMQ	1		34020-08600		Cable bushing	1	
	34020-52900		Sealing bracket coated	1		34020-08700		Round cord seal 79X3 mm	1	
	34020-08600		Cable bushing	1		34020-08800		Round cord seal 80X2 mm	1	
	34020-08700		Round cord seal 79X3 mm	1		34020-09900		Leadtrough bushing	4	
	34020-08800		Round cord seal 80X2 mm	1		34020-04600		Round sealing cord 202,5 x 3,1 mm	1	
	34020-09900		Leadtrough bushing	4		34020-14400		Sealing cord	1	
	34020-04600		Round sealing cord 202,5 x 3,1 mm	1		34020-14900		Insulating Plate	1	
	34020-14400		Sealing cord	1		34020-19700		Sealing profile 62mm	1	
	34020-14900		Insulating Plate	1		34020-55000		Form seal	1	
	34020-19700		Sealing profile 62mm	1		34020-10600		CAT sensor mount	1	
	34020-55000		Form seal	1		34020-22300		Clip ducts	4	
	34020-10600		CAT sensor mount	1		10010-13800		Screw DIN 7500-PE M4x16-A2K	33	
	34020-22300		Clip ducts	4		10010-11500		Screw DIN 7500-PE M4x12-A2K	4	
10010-13800		Screw DIN 7500-PE M4x16-A2K	4	10010-40900			Plast screw W1452 4x12-10.9-A3K-T20	4		
				10020-15100			Hexagon nut DIN 6927 M5-8-A2K-AF8-S	10		
				10020-41000			Set screw ISO 4029 M4x4-45H	1		
				10010-13600		CS screw DIN 965 M12-4.8-A2K-AF19-S	2			
				10020-25000		SLN w/ serrated bearing M4-8	7			
90	34020-60800	860802	Combi ignition electrode kit Includes items below	1	160	34020-61200		Combi cable harness heating elements	1	
	34020-03000		Ignition electrode 64 degree	1	170	34000-04700	S43262	Fan wheel	1	
	34020-03100		Ignition electrode 112 degree	1	180	34020-61300	861300	D.C. Motor, Includes items below	1	
	34020-03200		Flame rectification electrode	1		34020-08900		D.C. motor Combi	1	
	10030-24200		O-ring 22 x 3 mm, VMQ	1	10010-13600		CS screw DIN 965 M12-4.8-A2K-AF19-S	2		
	34020-52900		Sealing bracket coated	1						
	34020-08800		Round cord seal 80X2 mm	1						
	34020-04600		Round sealing cord 202,5 x 3,1 mm	1						
	34020-14400		Sealing cord	1						
	10010-13800		Screw DIN 7500-PE M4x16-A2K	3						



	Truma No.	Grove No.	Description	Qty
190	34020-00227	833812K	Combi (E) water container kit Includes items below	1
	34020-52600		Wasserbeh. Unterg. Combi e jg	1
	10030-24200		O-ring 22 x 3 mm, VMQ	1
	34020-52900		Sealing bracket coated	1
	34020-08600		Cable bushing	1
	34020-08700		Round cord seal 79X3 mm	1
	34020-08800		Round cord seal 80X2 mm	1
	34020-09900		Leadtrough bushing	4
	34020-04600		Round sealing cord 202,5 x 3,1 mm	1
	34020-14400		Sealing cord	1
	34020-14900		Insulating Plate	1
	34020-19700		Sealing profile 62mm	1
	34020-55000		Form seal	1
	34020-10600		CAT sensor mount	1
	34020-22300		Clip ducts	4
	10010-13800		Screw DIN 7500-PE M4x16-A2K	33
	10010-11500		Screw DIN 7500-PE M4x12-A2K	4
	10010-40900		Plast screw W1452 4x12-10.9-A3K-T20	4
	10020-15100		Hexagon nut DIN 6927 M5-8-A2K-AF8-S	10
	10020-41000		Set screw ISO 4029 M4x4-45H	1
10010-13600		CS screw DIN 965 M12-4.8-A2K-AF19-S	2	
10020-25000		SLN w/ serrated bearing M4-8	7	
200	34020-61400		Interior air hood	1
210	34020-00241	861500K	Thermostat plate kit LTF Combi (E) Includes items below	1
	34020-09200		Kabelbaum LTF	1
	34020-53100		Clip interior air hood	1
220	34020-61600		Warm air distributor cpl.	1
230	34020-53100		Clip interior air hood	1
240	34020-24000		Clips 4 pcs.	1
250	34020-95900		Outer casing Combi black	1
260	34020-61700		Combi electronics housing Includes items below	1
	34020-05900		Combi electronics housing base	1
	34010-00900		Cable strain relief back shell	1
	10010-40900		Plast screw W1452 4x12-10.9-A3K-T20	2

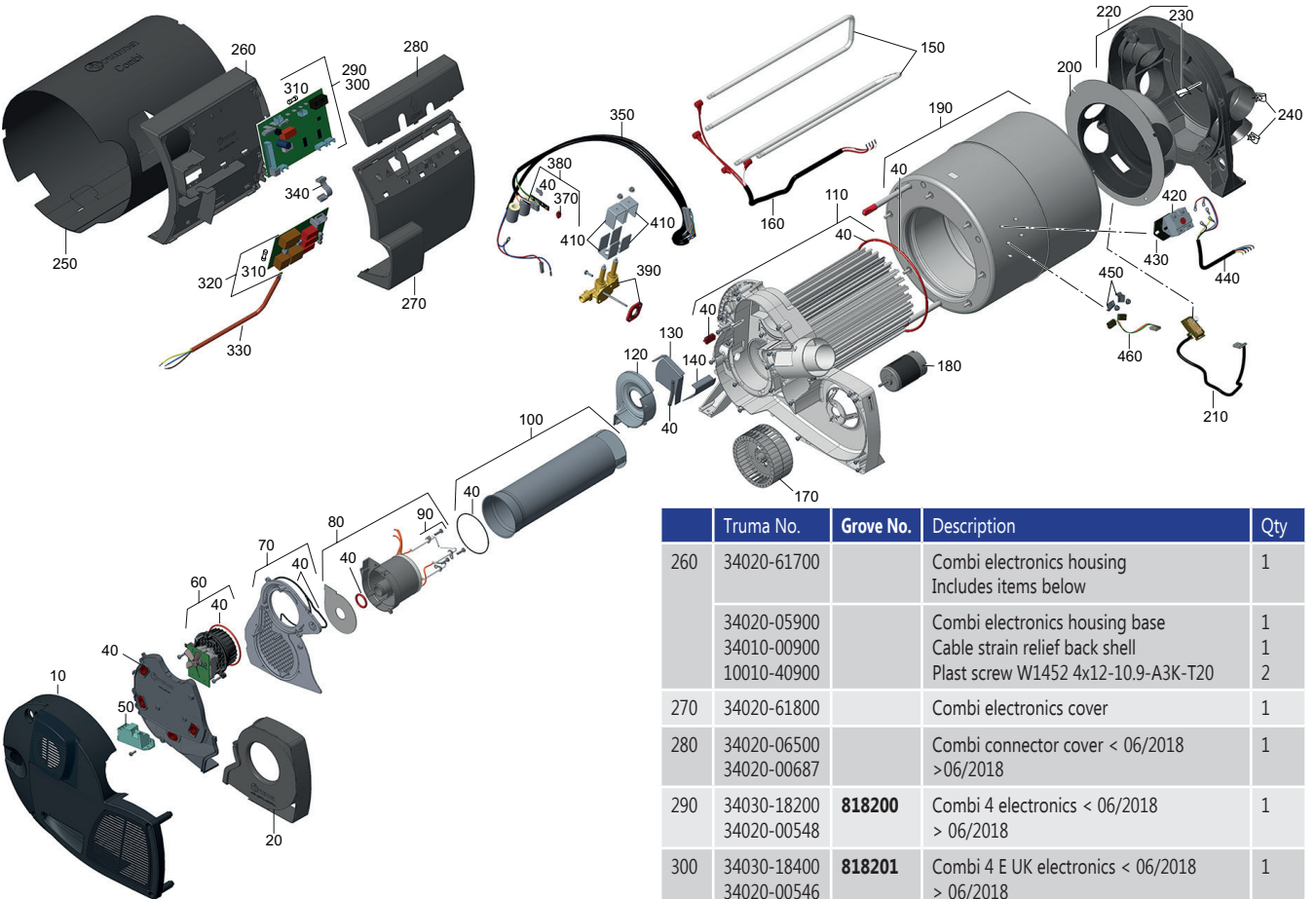
	Truma No.	Grove No.	Description	Qty	
270	34020-61800		Combi electronics cover	1	
	280	34020-06500	Combi connector cover	1	
	290	34030-26400	Combi 2 E UK electronics	1	
	300	34030-19700	Combi 2 E UK electronics / exchange	1	
	310	34020-00073	805900K	Combi microfuse kit T10AH 10 pcs.	1
	320	34020-63800	863800	Combi / Combi D electronics, 230 V	1
	330	34020-62300		Cable 230 V 1,6 m	1
	340	34020-09300		Cable E-PCB	1
	350	34020-59800		Combi 2 E cable harness	1
	370	34020-62800		Holder thermostat plate	1
	380	34020-93900		Thermostat platecb 2e Includes items below	1
		34020-57100		Thermostatpl. Cb 2e kpl.	1
		34020-14900		Insulating Plate	1
		34020-10600		CAT sensor mount	1
	390	34020-00230	863001K	Combi (E) 2SO solenoid valve kit After 04/13 Includes items below	1
		34020-00231	863002K	Combi (E) 2S solenoid valve kit 03/07 - 04/13 Includes items below	1
	410	34020-52300		Magnetventil 2SO KPL. only with 863001K	1
		34020-00700		Magnetventil 2SO KPL. only with 863002K	1
		70020-00164		U-Bleche Set	1
		10020-25000		SLN w/ serrated bearing M4-8	2
10010-13800			Screw DIN 7500-PE M4x16-A2K	4	
34020-52900			Sealing bracket coated	1	
34020-22300		Clip ducts	4		
410	70000-54600		U-sheet kit, 2 pcs.	1	
420	34020-08200		Switch WTS 230 V	1	
430	34020-11000		Chock WTS E	1	
440	34020-63100		Water temp. switch cable	1	
450	34020-03500		Heat conducting plate	1	
460	34020-63200	863200	Water temp. sensor harness	1	

Combi 4/ 4E UK (05/13-)

Truma

	Truma No.	Grove No.	Description	Qty	
10	34020-00686	833814K	Combi (E) cover kit Includes items below	1	
	34020-00586		Cover circulation air	1	
	34020-00589		Grill	1	
	10010-40900		Screw PH TP 4 x 12-A3K-T20	1	
	10010-13800		Screw DIN 7500-PE M4x16-A2K	4	
	34020-22300		Clip ducts	4	
20	34020-65000		Cover circul. air right	1	
30	34020-65100		Cover circul. air left	1	
40	34020-00246	833816K	Combi (E) seal kit Includes items below	1	
	10030-24200		O-ring 22 x 3 mm, VMQ	1	
	34020-52900		Sealing bracket coated	1	
	34020-08600		Cable bushing	1	
	34020-08700		Round cord seal 79X3 mm	1	
	34020-08800		Round cord seal 80X2 mm	1	
	34020-09900		Leadtrough bushing	4	
	34020-04600		Round sealing cord 202,5 x 3,1 mm	1	
	34020-14400		Sealing cord	1	
	34020-14900		Insulating Plate	1	
	34020-19700		Sealing profile 62mm	1	
	34020-55000		Form seal	1	
	34020-10600		CAT sensor mount	1	
	50	34020-00234	833815K	Combi (E) ignitor kit Includes items below	1
		34020-10900		Combi ignitor 20 Hz	1
10010-13800			Screw DIN 7500-PE M4x16-A2K	4	
34020-22300			Clip ducts	4	
60	34020-00235	860300K	Combustion air motor kit Combi (E) Includes items below	1	
	34020-03400		Combi combustion air motor	1	
	34020-08700		Round cord seal 79X3 mm	1	
	10010-13800		Screw DIN 7500-PE M4x16-A2K	4	
	34020-22300		Clip ducts	4	
70	34020-60500		Cover combustion air E	1	
	34020-60400		Cover combustion air	1	
80	34020-00233	833813K	Combi (E) burner kit Includes items below	1	
	34020-01200		Burner pot	1	
	34020-02900		Separation metal sheet	1	
	10030-24200		O-ring 22 x 3 mm, VMQ	1	
	34020-52900		Sealing bracket coated	1	
	34020-08600		Cable bushing	1	
	34020-08700		Round cord seal 79X3 mm	1	
	34020-08800		Round cord seal 80X2 mm	1	
	34020-09900		Leadtrough bushing	4	
	34020-04600		Round sealing cord 202,5 x 3,1 mm	1	
	34020-14400		Sealing cord	1	
	34020-14900		Insulating Plate	1	
	34020-19700		Sealing profile 62mm	1	
	34020-55000		Form seal	1	
	34020-10600		CAT sensor mount	1	
	34020-22300		Clip ducts	4	
	10010-13800		Screw DIN 7500-PE M4x16-A2K	4	
	90	34020-60800	860802	Combi ignition electrode kit Includes items below	1
34020-03000			Ignition electrode 64 degree	1	
34020-03100			Ignition electrode 112 degree	1	
34020-03200			Flame rectification electrode	1	
10030-24200			O-ring 22 x 3 mm, VMQ	1	
34020-52900			Sealing bracket coated	1	
34020-08800			Round cord seal 80X2 mm	1	
34020-04600			Round sealing cord 202,5 x 3,1 mm	1	
34020-14400			Sealing cord	1	
10010-13800			Screw DIN 7500-PE M4x16-A2K	3	

	Truma No.	Grove No.	Description	Qty
100	34020-60900		Combi flame tube Includes items below	1
	34020-01700		Flame tube Combi	1
	34020-08800		Round cord seal 80X2 mm	1
110	34020-00606	861101K	Combi heat exchanger kit Includes items below	1
	34020-26000		Exhaust collector cpl. welded 230v	1
	34020-01700		Flame tube Combi	1
	34020-10700		Acoustic plate 1	1
	34020-10800		Acoustic plate 2	1
	34020-01500		Spiral casing VBL	1
	10030-24200		O-ring 22 x 3 mm, VMQ	1
	34020-08600		Cable bushing	1
	34020-08700		Round cord seal 79X3 mm	1
	34020-08800		Round cord seal 80X2 mm	3
	34020-09900		Leadtrough bushing	4
	34020-04600		Round sealing cord 202,5 x 3,1 mm	1
	34020-14400		Sealing cord	1
	34020-14900		Insulating Plate	1
	34020-19700		Sealing profile 62mm	1
	34020-55000		Form seal	2
	34020-10600		CAT sensor mount	1
	34020-22300		Clip ducts	4
	34020-00502		Shim Coated	1
	10010-13800		Screw DIN 7500-PE M4x16-A2K	33
	10010-11500		Screw DIN 7500-PE M4x12-A2K	4
10010-40900		Plast screw W1452 4x12-10.9-A3K-T20	5	
10020-15100		Hexagon nut DIN 6927 M5-8-A2K-AF8-S	10	
10020-41000		Set screw ISO 4029 M4x4-45H	1	
10010-13600		CS screw DIN 965 M12-4.8-A2K-AF19-S	2	
10020-25000		SLN w/ serrated bearing M4-8	7	
34020-00708		Burner tube bottom part	1	
34020-00709		Burner tube roof	1	
120	34020-01500		Spiral casing VBL	1
130	34020-10700		Acoustic plate 1	1
140	34020-10800		Acoustic plate 2	1
150	34020-00228	861100K	Combi E heating element kit	1
	34020-01300		Heating element 230V Combi	2
	10030-24200		O-ring 22 x 3 mm, VMQ	1
	34020-52900		Sealing bracket coated	1
	34020-08600		Cable bushing	1
	34020-08700		Round cord seal 79X3 mm	1
	34020-08800		Round cord seal 80X2 mm	1
	34020-09900		Leadtrough bushing	4
	34020-04600		Round sealing cord 202,5 x 3,1 mm	1
	34020-14400		Sealing cord	1
	34020-14900		Insulating Plate	1
	34020-19700		Sealing profile 62mm	1
	34020-55000		Form seal	1
	34020-10600		CAT sensor mount	1
	34020-22300		Clip ducts	4
	10010-13800		Screw DIN 7500-PE M4x16-A2K	33
	10010-11500		Screw DIN 7500-PE M4x12-A2K	4
	10010-40900		Plast screw W1452 4x12-10.9-A3K-T20	4
10020-15100		Hexagon nut DIN 6927 M5-8-A2K-AF8-S	10	
10020-41000		Set screw ISO 4029 M4x4-45H	1	
10010-13600		CS screw DIN 965 M12-4.8-A2K-AF19-S	2	
10020-25000		SLN w/ serrated bearing M4-8	7	
160	34020-61200		Cable harness < 06/2018	1
	34020-00484		>06/2018	1
170	34000-04700	S43262	Fan wheel	1
180	34020-61300	861300	D.C. Motor, Includes items below	1
	34020-08900		D.C. motor Combi	1
	10010-13600		CS screw DIN 965 M12-4.8-A2K-AF19-S	2



	Truma No.	Grove No.	Description	Qty
190	34020-00612	833812K	Combi (E) water container kit Includes items below	1
	34020-52600		Wasserbeh. Unterg. Combi e jg	1
	34020-00610		Mounting adapter WTSSE	1
	10030-24200		O-ring 22 x 3 mm, VMQ	1
	34020-00502		Shim Coated	1
	34020-08600		Cable bushing	1
	34020-08700		Round cord seal 79X3 mm	1
	34020-08800		Round cord seal 80X2 mm	4
	34020-09900		Leadtrough bushing	1
	34020-04600		Round sealing cord 202,5 x 3,1 mm	1
	34020-14400		Sealing cord	1
	34020-14900		Insulating Plate	1
	34020-19700		Sealing profile 62mm	1
	34020-55000		Form seal	1
	34020-10600		CAT sensor mount	4
	34020-22300		Clip ducts	33
	10010-13800		Screw DIN 7500-PE M4x16-A2K	4
10010-11500		Screw DIN 7500-PE M4x12-A2K	4	
10010-40900		Plast screw W1452 4x12-10.9-A3K-T20	10	
10020-15100		Hexagon nut DIN 6927 M5-8-A2K-AF8-S	1	
10020-41000		Set screw ISO 4029 M4x4-45H	2	
10010-13600		CS screw DIN 965 M12-4.8-A2K-AF19-S	7	
10020-25000		SLN w/ serrated bearing M4-8		
200	34020-61400		Interior air hood	1
210	34020-00241	861500K	Thermostat plate kit LTF Combi (E) Includes items below	1
	34020-09200		Kabelbaum LTF	1
	34020-53100		Clip interior air hood	1
220	34020-61600		Warm air distributor cpl.	1
230	34020-53100		Clip interior air hood	1
240	34020-24000		Clips 4 pcs.	1
250	34020-95900		Outer casing Combi black	1

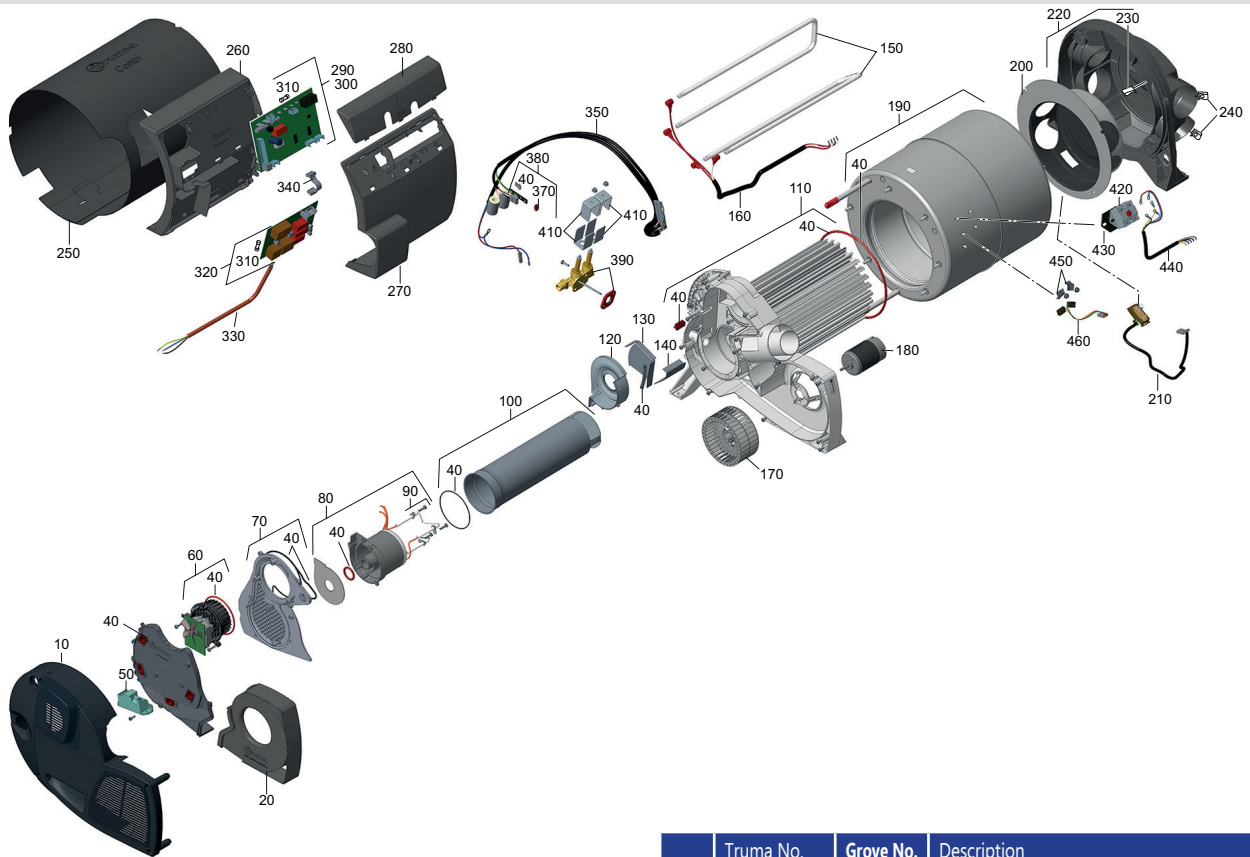
	Truma No.	Grove No.	Description	Qty
260	34020-61700		Combi electronics housing Includes items below	1
	34020-05900		Combi electronics housing base	1
	34010-00900		Cable strain relief back shell	1
	10010-40900		Plast screw W1452 4x12-10.9-A3K-T20	2
270	34020-61800		Combi electronics cover	1
280	34020-06500		Combi connector cover < 06/2018	1
	34020-00687		> 06/2018	
290	34030-18200	818200	Combi 4 electronics < 06/2018	1
	34020-00548		> 06/2018	
300	34030-18400	818201	Combi 4 E UK electronics < 06/2018	1
	34020-00546		> 06/2018	
310	34020-00073	805900K	Combi microfuse kit T10AH 10 pcs.	1
	39050-00381		Fine wire fuse kit 10 AF, H 10 pcs	
320	34020-63800	863800	Combi / Combi D electronics, 230 V	1
330	34020-62300		Cable 230 V 1,6 m	1
	34020-09300		Cable E-PCB < 06/2018	1
	34020-00545		Controller cable > 06/2018	1
350	34020-00240	833711K	Combi 4 E cable harness < 06/2018	1
	34020-00499		> 06/2018	
370	34020-62800		Holder thermostat plate	1
380	34020-63500		Thermostat plate cb 4/4e < 06/2018	1
	34020-00501		> 06/2018	
	34020-22100		Thermostatpl. Cb 4e kpl.	1
	34020-14900		Insulating Plate	1
	34020-10600		CAT sensor mount	1
390	34020-00488	863001K	Combi (E) 2SO solenoid valve kit After 06/18 Includes items below	1
	34020-00230	863001K	Combi (E) 2SO solenoid valve kit After 04/13 to 05/18 Includes items below	1
	34020-00231	863002K	Combi (E) 2S solenoid valve kit 03/07 - 04/13 Includes items below	1
	34020-52300		Magnetventil 2SO KPL. only with 863001K	1
	34020-00700		Magnetventil 2SO KPL. only with 863002K	1
	70020-00164		U-Bleche Set	1
	10020-25000		SLN w/ serrated bearing M4-8	2
	10010-13800		Screw DIN 7500-PE M4x16-A2K	4
	34020-52900		Sealing bracket coated	1
	34020-22300		Clip ducts	4
410	70000-54600		U-sheet kit, 2 pcs.	1
420	34020-08200		Switch WTS 230 V	1
430	34020-11000		Chock WTS E	1
440	34020-63100		Water temp. switch cable < 06/2018	1
	34020-00486		> 06/2018	
450	34020-03500		Heat conducting plate	1
460	34020-63200	863200	Water temp. sensor harness	1

Combi 6E UK (05/13-)

Truma

	Truma No.	Grove No.	Description	Qty	
10	34020-00232	833814K	Combi (E) cover kit Includes items below	1	
	34020-21600		Cover circulation air	1	
	34020-07300		Grill	1	
	10010-13800		Screw DIN 7500-PE M4x16-A2K	4	
	34020-22300		Clip ducts	4	
20	34020-65000		Cover circul. air right	1	
30	34020-65100		Cover circul. air left	1	
40	34020-00246	833816K	Combi (E) seal kit Includes items below	1	
	10030-24200		O-ring 22 x 3 mm, VMQ	1	
	34020-52900		Sealing bracket coated	1	
	34020-08600		Cable bushing	1	
	34020-08700		Round cord seal 79X3 mm	1	
	34020-08800		Round cord seal 80X2 mm	1	
	34020-09900		Leadtrough bushing	4	
	34020-04600		Round sealing cord 202,5 x 3,1 mm	1	
	34020-14400		Sealing cord	1	
	34020-14900		Insulating Plate	1	
	34020-19700		Sealing profile 62mm	1	
	34020-55000		Form seal	1	
	34020-10600		CAT sensor mount	1	
	50	34020-00234	833815K	Combi (E) ignitor kit Includes items below	1
		34020-10900		Combi ignitor 20 Hz	1
		10010-13800		Screw DIN 7500-PE M4x16-A2K	4
34020-22300			Clip ducts	4	
60	34020-00235	860300K	Combustion air motor kit Combi (E) Includes items below	1	
	34020-03400		Combi combustion air motor	1	
	34020-08700		Round cord seal 79X3 mm	1	
	10010-13800		Screw DIN 7500-PE M4x16-A2K	4	
	34020-22300		Clip ducts	4	
70	34020-60500		Cover combustion air E	1	
80	34020-00233	833813K	Combi (E) burner kit Includes items below	1	
	34020-01200		Burner pot	1	
	34020-02900		Separation metal sheet	1	
	10030-24200		O-ring 22 x 3 mm, VMQ	1	
	34020-52900		Sealing bracket coated	1	
	34020-08600		Cable bushing	1	
	34020-08700		Round cord seal 79X3 mm	1	
	34020-08800		Round cord seal 80X2 mm	1	
	34020-09900		Leadtrough bushing	4	
	34020-04600		Round sealing cord 202,5 x 3,1 mm	1	
	34020-14400		Sealing cord	1	
	34020-14900		Insulating Plate	1	
	34020-19700		Sealing profile 62mm	1	
	34020-55000		Form seal	1	
	34020-10600		CAT sensor mount	1	
	34020-22300		Clip ducts	4	
10010-13800		Screw DIN 7500-PE M4x16-A2K	4		
90	34020-60800	860802	Combi ignition electrode kit Includes items below	1	
	34020-03000		Ignition electrode 64 degree	1	
	34020-03100		Ignition electrode 112 degree	1	
	34020-03200		Flame rectification electrode	1	
	10030-24200		O-ring 22 x 3 mm, VMQ	1	
	34020-52900		Sealing bracket coated	1	
	34020-08800		Round cord seal 80X2 mm	1	
	34020-04600		Round sealing cord 202,5 x 3,1 mm	1	
	34020-14400		Sealing cord	1	
	10010-13800		Screw DIN 7500-PE M4x16-A2K	3	

	Truma No.	Grove No.	Description	Qty
100	34020-60900		Combi flame tube Includes items below	1
	34020-01700		Flame tube Combi	1
	34020-08800		Round cord seal 80X2 mm	1
110	34020-00229	861101K	Combi heat exchanger kit Includes items below	1
	34020-00166		Exhaust collector cpl. gas 4/6 kW	1
	34020-10700		Acoustic plate 1	1
	34020-10800		Acoustic plate 2	1
	34020-01500		Spiral casing VBL	1
	10030-24200		O-ring 22 x 3 mm, VMQ	1
	34020-52900		Sealing bracket coated	1
	34020-08600		Cable bushing	1
	34020-08700		Round cord seal 79X3 mm	1
	34020-08800		Round cord seal 80X2 mm	1
	34020-09900		Leadtrough bushing	4
	34020-04600		Round sealing cord 202,5 x 3,1 mm	1
	34020-14400		Sealing cord	1
	34020-14900		Insulating Plate	1
	34020-19700		Sealing profile 62mm	1
	34020-55000		Form seal	1
	34020-10600		CAT sensor mount	1
	34020-22300		Clip ducts	4
	10010-13800		Screw DIN 7500-PE M4x16-A2K	33
10010-11500		Screw DIN 7500-PE M4x12-A2K	4	
10010-40900		Plast screw W1452 4x12-10.9-A3K-T20	4	
10020-15100		Hexagon nut DIN 6927 M5-8-A2K-AF8-S	10	
10020-41000		Set screw ISO 4029 M4x4-45H	1	
10010-13600		CS screw DIN 965 M12-4.8-A2K-AF19-S	2	
10020-25000		SLN w/ serrated bearing M4-8	7	
120	34020-01500		Spiral casing VBL	1
130	34020-10700		Acoustic plate 1	1
140	34020-10800		Acoustic plate 2	1
150	34020-00228	861100K	Combi E heating element kit	1
	34020-01300		Heating element 230V Combi	2
	10030-24200		O-ring 22 x 3 mm, VMQ	1
	34020-52900		Sealing bracket coated	1
	34020-08600		Cable bushing	1
	34020-08700		Round cord seal 79X3 mm	1
	34020-08800		Round cord seal 80X2 mm	1
	34020-09900		Leadtrough bushing	4
	34020-04600		Round sealing cord 202,5 x 3,1 mm	1
	34020-14400		Sealing cord	1
	34020-14900		Insulating Plate	1
34020-19700		Sealing profile 62mm	1	
34020-55000		Form seal	1	
34020-10600		CAT sensor mount	1	
34020-22300		Clip ducts	4	
10010-13800		Screw DIN 7500-PE M4x16-A2K	33	
10010-11500		Screw DIN 7500-PE M4x12-A2K	4	
10010-40900		Plast screw W1452 4x12-10.9-A3K-T20	4	
10020-15100		Hexagon nut DIN 6927 M5-8-A2K-AF8-S	10	
10020-41000		Set screw ISO 4029 M4x4-45H	1	
10010-13600		CS screw DIN 965 M12-4.8-A2K-AF19-S	2	
10020-25000		SLN w/ serrated bearing M4-8	7	
160	34020-61200		Combi cable harness heating elements	1
170	34000-04700	S43262	Fan wheel	1
180	34020-61300	861300	D.C. Motor, Includes items below	1
	34020-08900		D.C. motor Combi	1
	10010-13600		CS screw DIN 965 M12-4.8-A2K-AF19-S	2



	Truma No.	Grove No.	Description	Qty
190	34020-00227	833812K	Combi (E) water container kit Includes items below	1
	34020-52600		Wasserbeh. Unterg. Combi e jg	1
	10030-24200		O-ring 22 x 3 mm, VMQ	1
	34020-52900		Sealing bracket coated	1
	34020-08600		Cable bushing	1
	34020-08700		Round cord seal 79X3 mm	1
	34020-08800		Round cord seal 80X2 mm	1
	34020-09900		Leadtrough bushing	4
	34020-04600		Round sealing cord 202,5 x 3,1 mm	1
	34020-14400		Sealing cord	1
	34020-14900		Insulating Plate	1
	34020-19700		Sealing profile 62mm	1
	34020-55000		Form seal	1
	34020-10600		CAT sensor mount	1
	34020-22300		Clip ducts	4
	10010-13800		Screw DIN 7500-PE M4x16-A2K	33
	10010-11500		Screw DIN 7500-PE M4x12-A2K	4
	10010-40900		Plast screw W1452 4x12-10.9-A3K-T20	4
	10020-15100		Hexagon nut DIN 6927 M5-8-A2K-AF8-S	10
	10020-41000		Set screw ISO 4029 M4x4-45H	1
	10010-13600		CS screw DIN 965 M12-4.8-A2K-AF19-S	2
	10020-25000		SLN w/ serrated bearing M4-8	7
200	34020-61400		Interior air hood	1
210	34020-00241	861500K	Thermostat plate kit LTF Combi (E) Includes items below	1
	34020-09200		Kabelbaum LTF	1
	34020-53100		Clip interior air hood	1
220	34020-61600		Warm air distributor cpl.	1
230	34020-53100		Clip interior air hood	1
240	34020-24000		Clips 4 pcs.	1
250	34020-95900		Outer casing Combi black	1
260	34020-61700		Combi electronics housing Includes items below	1
	34020-05900		Combi electronics housing base	1
	34010-00900		Cable strain relief back shell	1
	10010-40900		Plast screw W1452 4x12-10.9-A3K-T20	2

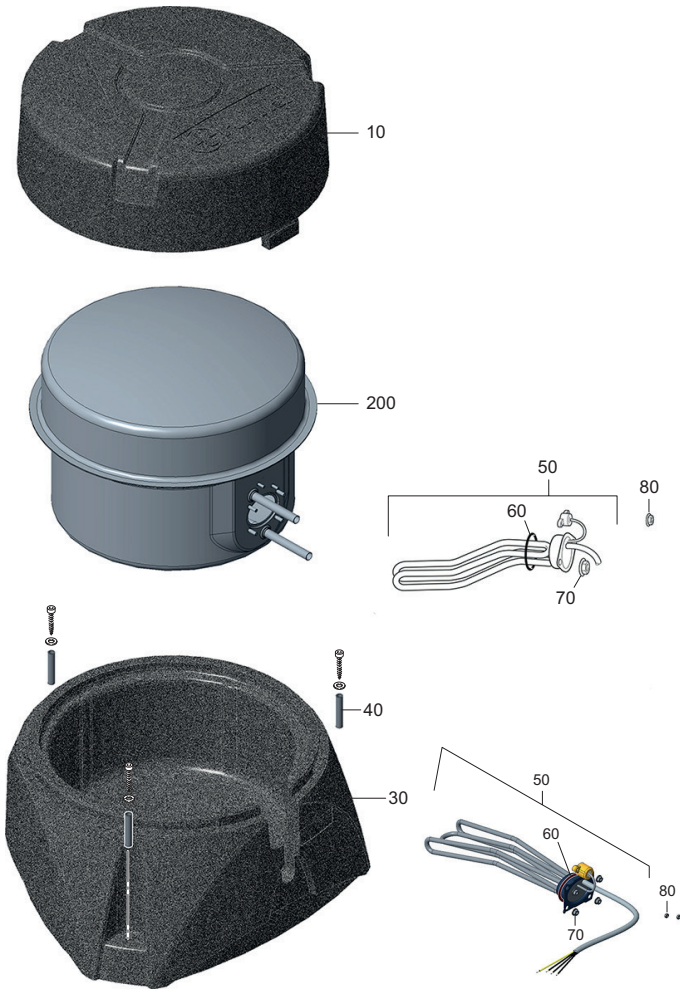
	Truma No.	Grove No.	Description	Qty
	270	34020-61800	Combi electronics cover	1
	280	34020-06500	Combi connector cover	1
	290	34030-19900 34030-18300	861900 Combi 6 electronics	1
	300	34030-26600 34030-18500	826600 Combi 6 E UK electronics	1
	310	34020-00073	805900K Combi microfuse kit T10AH 10 pcs.	1
	320	34020-63800	863800 Combi / Combi D electronics, 230 V	1
	330	34020-62300	Cable 230 V 1,6 m	1
	340	34020-09300	Cable E-PCB	1
	350	34020-00239	833811K Combi 6 E cable harness	1
	370	34020-62800	Holder thermostat plate	1
	380	34020-63300	Thermostat plate cb 6/6e Includes items below	1
		34020-10300	Thermostatpl. Cb 6e kpl.	1
		34020-14900	Insulating Plate	1
		34020-10600	CAT sensor mount	1
	390	34020-00230	863001K Combi (E) 2SO solenoid valve kit After 04/13 Includes items below	1
		34020-00231	863002K Combi (E) 2S solenoid valve kit 03/07 - 04/13 Includes items below	1
		34020-52300	Magnetventil 2SO KPL. only with 863001K	1
		34020-00700	Magnetventil 2SO KPL. only with 863002K	1
		70020-00164	U-Bleche Set	1
		10020-25000	SLN w/ serrated bearing M4-8	2
		10010-13800	Screw DIN 7500-PE M4x16-A2K	4
		34020-52900	Sealing bracket coated	1
		34020-22300	Clip ducts	4
	410	70000-54600	U-sheet kit, 2 pcs.	1
	420	34020-08200	Switch WTS 230 V	1
	430	34020-11000	Chock WTS E	1
	440	34020-63100	Water temp. switch cable	1
	450	34020-03500	Heat conducting plate	1
	460	34020-63200	863200 Water temp. sensor harnes	1

	Truma No.	Grove No.	Description	Qty
10	39050-68000		E 2400 cover cpl. Includes items below	1
	39050-11000		Verkleidung i	1
	39050-58000		Verkleidung ii	1
	39050-63000		Intake grill	1
	39050-58100		Plast screw w1411 5x14-a2-z2	6
20	39050-58100		Plast screw w1411 5x14-a2-z2	1
30	39050-63000		Intake grill	1
40	39050-60000		Air guide plate	1
50	39050-20300		E 2400 (au) heat exchanger	1
	39080-17400		Bearing spring	1
	39080-17500		Dome bearing	1
	39050-21000		Wärmetauscher kpl.	1
	10030-23900		O-ring 22 x 2 mm, vmq	1
	39050-59000		Seal cord 4mm	1
	60	39080-17500		Dome bearing
70	39080-17400		Bearing spring	1
80	39050-59000		Seal cord 4mm	1
90	10030-23900		O-ring 22 x 2 mm, vmq	1
100	39050-52000		Air box cover	1
110	39050-53000		D.C. Motor 12v	1
130	39010-17400		Carbon brushes, red/black	1
140	39050-52600		Vibr. Absorber	1
150	39080-16000		Spacer bush	1
160	10010-83200		Ph screw din 7985 m3,5x12-4.8-A2k-z	1
170	39050-52400		Shaft coupling	1
180	10020-41000		Set screw iso 4029 m4x4-45h	1
190	39050-52900		Fan wheel	1
200	39050-56000		Fan wheel ø76	1
210	39050-17000		Cover	1
220	39050-15400		Burner tube	1
230	10020-48900		Blind rivet iso 16585 3,2x6-a2/sst	1
240	39050-69300		E 2400 (au) burner, 30/50 mbar Includes items below	1
	39050-15200-D		Burner pot (prop./But.)	1
	39050-15800		Funnel	1
	39050-15500		E 2400 ignition electrode, left	1
	39050-15600		E 2400 ignition electrode, right	1
	39050-15700		Flame rectification electrode	1
	10010-70000		St screw iso 14585 st2,9x6,5-a2k-c	3
	250	39050-15700		Flame rectification electrode
260	39050-15500		E 2400 ignition electrode, left	1
270	39050-15600		E 2400 ignition electrode, right	1
280	10010-70500		St screw iso 7049 st2,9x6,5-a2k-c-z	1
290	39050-15200		E 2400 burner pot, 30/50 mbar	1
300	39050-15800		Funnel	1
310	10010-83400		Screw din 7500-de m4x12-a2k-bnd	1
320	39050-57000		Rubber seal	1
330	39050-54000		Injector tube	1
340	39050-55100		Injector (propan/butan)	1
350	39050-68200		E 2400 valv body, 30 mbar Includes items below	1
	39050-18600		Magnetventil 30mbar	1
	10030-27200		O-ring 8 x 1.5 Mm, hnbr	1
	39080-13200		Valve bushing	1
360	10030-27200		O-ring 8 x 1.5 Mm, hnbr	1

	Truma No.	Grove No.	Description	Qty
370	39080-13200		Valve bushing	1
380	70000-54600		U-sheet kit, 2 pcs.	1
390	10020-25000		SIn w/ serrated bearing m4-8-a2k-af7-zg	1
400	39010-04700		Solenoid coils	1
410	39050-68300		E 2400 cable harness, 12 v Includes items below	1
	01/93-06/12			
	39050-45000		Kabelbaum kpl.	1
	39010-14100		Magnetspule klein	1
	39010-41000		Trip coil	1
	39080-19100		Pvc-isolierschlauch gelb	m
	39010-49300		Cable tie 102 x 2.5 Mm	1
	10020-23500		Lock washer b 53070 s-3,2-st	2
10010-71200		St screw iso 7049 st2,9x25-a2k-c-z	2	
410	39050-01800		Cable harness e24/12v Includes items below	1
	06/12-12/16			
	39050-02800		Kabelbaum e24/12v	1
	39010-14100		Magnetspule klein	1
	39010-41000		Trip coil	1
	39080-19100		Pvc-isolierschlauch gelb	m
	39010-49300		Cable tie 102 x 2.5 Mm	1
	10020-23500		Lock washer b 53070 s-3,2-st	2
10010-71200		St screw iso 7049 st2,9x25-a2k-c-z	2	
430	39050-69100		E 2400 motor transistor, cpl.	1
	39050-68500		Motortransistor mos-fet	1
	39010-48900		Insulation sheet	1
	39050-69200		Insulation bush	1
	10020-20000		Washer din 433 3,2-140 hv-a2k	1
10010-82000		Ph screw din 7985 m3x6-4.8-A2k-z	1	
440	39010-48900		Insulation sheet	1
450	10010-82000		Ph screw din 7985 m3x6-4.8-A2k-z	1
460	10020-20000		Washer din 433 3,2-140 hv-a2k	1
470	39050-69200		Insulation bush	1
490	39050-68600		Thermostate plate e24 cpl.	1
500	39050-61000		Clip	1
510	39010-15700		Thermal cutoff 184 °c	1
520	39080-18600		Temperature sensor	1
530	39050-19000	819000	Trumatic E ignitor	1
540	39050-77700		E 2400 electronics 12v 01/93-06/12	1
	39050-02500	804901	E 2400 electronics 12v 06/12-12/16	1
580	39050-53900		Fine wire fuse 3.15 At	1
590	70000-07100		Fine wire fuse 1.6 At	1
600	39020-02500		E 2400 / e 4000 electronics housing	1
	39010-74000		Elec.Hous.Bott.Part	1
	39010-74100		Elec.Hous.Upper part	1
39080-24600		Pt screw wn 1442 k30x12-a2k-z	2	
610	39080-24600		Pt screw wn 1442 k30x12-a2k-z	1
620	39080-24500		Pt screw wn 1442 k22x6-a2k-z	1
	39010-77300	877300	Remote sensor FF	1

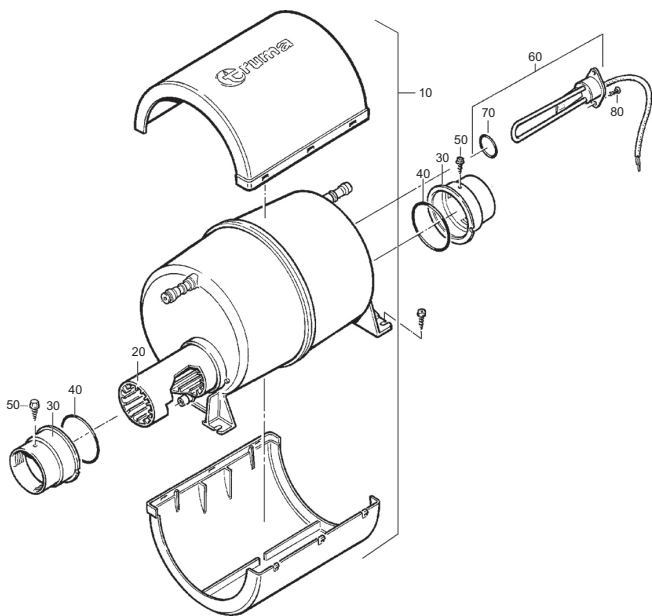
Electric Boiler

Truma



	Truma No.	Grove No.	Description	Qty
10	70010-81000		Foam case upper part 14l	1
20	70020-60600 Before 12/14		Water container b14l Includes items below	1
	70020-00168		Behälter B14 kpl.	1
	10030-15700		O-ring 32 x 2.8 mm, VMQ	1
	70000-65200		Blind flange	1
	10020-25000		SLN w/ serrated bearing	2
	70000-14100		Sealing ring	1
20	70020-77500 After 12/14		Water container b14l Includes items below	1
	70020-00044		Container BE 14 SP	1
	70020-37900		Blind flange	1
	10030-16100		O-ring 32 x 3 mm, EPDM	1
	10020-25000		SLN w/ serrated bearing	4
30	70010-82000		Foam case lower part	1
40	30030-85400		Boiler electric spacer tube 8 x 1	1
50	70010-03000 Before 12/14 Replaced by 70020-00270	802501	Heating element 230V 850W Includes items below	1
	70010-46600		Heizstab 850 W	1
	10030-15700		O-ring 32 x 2.8 mm, VMQ	1
	10020-25000		SLN w/ serrated bearing	2
50	70020-77600 After 12/14		Heating element 230V 850W Includes items below	1
	70020-75800		Heating element 850 W	1
	10030-16100		O-ring 38 x 3 mm, EPDM	1
	10020-25000		SLN w/ serrated bearing	4
60	10030-15700 10030-16100	825001	O-ring 32 x 2.8 mm, VMQ before 12/14 O-ring 38 x 3mm, EPDM after 12/14	1 1
70	10020-16800		Hexagon nut DIN 6923 M3-8-A2K-AF5,5	1
80	10020-25000		SLN w/ serrated bearing M4	1

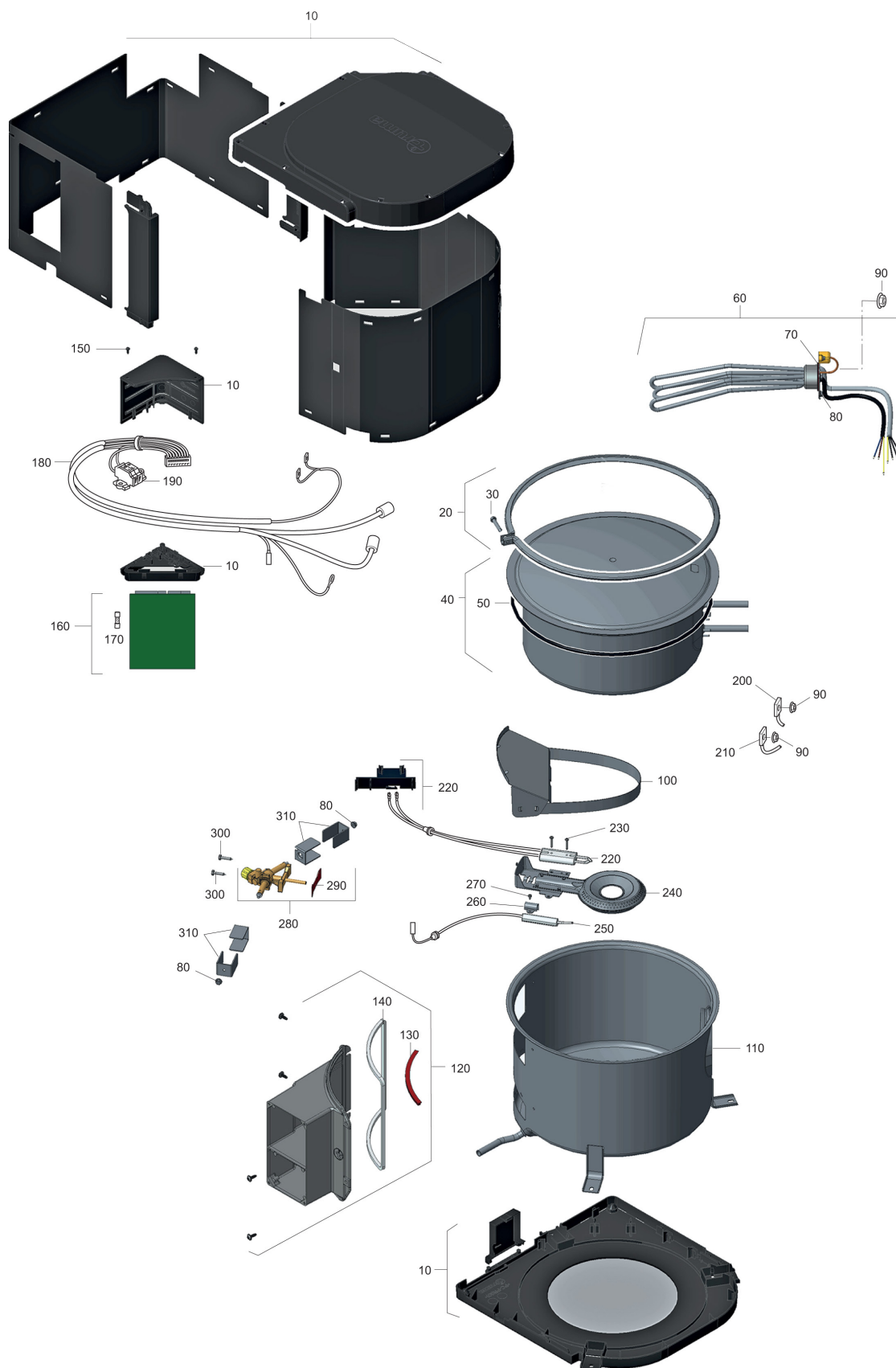
Therme



	Truma No.	Grove No.	Description	Qty
10	40050-12300	801500	Water container with insulation Includes items below	1
	40050-10000		Container cpl.	1
	10030-26600		O-ring 65 x 2 mm, EPDM	2
	10030-15600		O-ring 32 x 2.5 mm, EPDM	1
	40020-00400	800400	Drain valve cpl.	1
	10010-91200		ST screw ISO 14585 ST4,2x13-A2K-C	4
20	40050-11800		Alum. heating pipie	1
30	40050-11000		Stiffening ring	1
40	10030-26600		O-ring 65 x 2 mm, EPDM	1
50	10010-73700		Drilling screw ISO 15480 ST4,2x16-A2K	1
60	40050-14200	814200	Therme heating element, 230 V Includes items below	1
	40050-14000		Heating element	1
	10030-15600		O-ring 32 x 2.5 mm, EPDM	1
70	10030-15600		O-ring 32 x 2.5 mm, EPDM	1

Boiler Gas/Electric

Truma

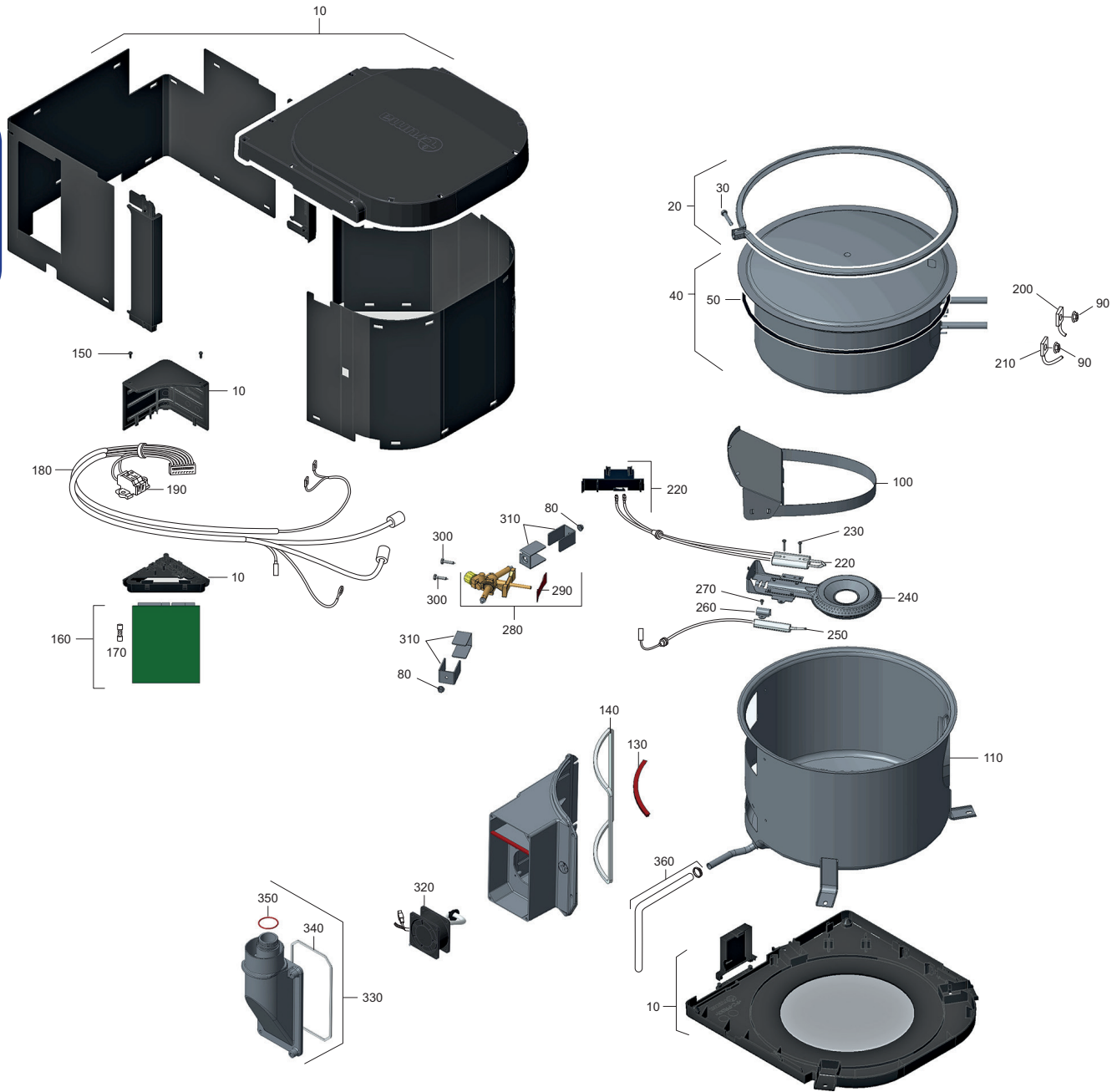


	Truma No.	Grove No.	Description	Qty	
10	70020-45400 05/14-04/16		Front case boiler cpl black Includes items below	1	
	70020-38700		Mantel teil1 boiler	1	
	70020-38900		Mantel teil 2 boiler	1	
	70020-00024		Cover base boiler cpl.	1	
	70020-39000		Cover boiler	1	
	70020-39100		Support right boiler	1	
	70020-39200		Support left boiler	1	
	70020-39300		Pcb holder boiler	1	
	70020-39400		Elektronikdeckel boiler	1	
	10010-71300		St screw iso 14585 st2,9x9,5-a2k-c	2	
	10	70020-00063 From 05/16		Case boiler complete Includes items below	1
		70020-38700		Mantel teil1 boiler	1
		70020-00023		Shell part 2 boiler	1
70020-00024			Cover base boiler cpl.	1	
70020-39000			Cover boiler	1	
70020-39100			Support right boiler	1	
70020-39200			Support left boiler	1	
70020-39300			Pcb holder boiler	1	
70020-39400			Elektronikdeckel boiler	1	
10010-71300			St screw iso 14585 st2,9x9,5-a2k-c	2	
70020-00031			Blank cover	1	
20		70000-41200		Clamp ring with screw	1
30		10010-66700		St screw iso 1479 st5,5x32-a2k-c	1
40	70020-36700		Container bge 10l cpl. Includes items below	1	
	70020-00043	846022A	Container bge 10 sp	1	
	70000-14100		Sealing ring	1	
	70020-37900		Blindflansch uge	1	
	10030-16100		O-ring 38 x 3 mm, epdm	1	
	10020-25000		Sln w/ serrated bearing m4-8-a2k-af7-zg	4	
50	70000-14100		846022A	Sealing ring	1
60	70020-36800	802505	Heating el. 230 V, 1300w	1	
	70020-30100		Heating element 1300w uge	1	
	10030-16100		O-ring 38 x 3 mm, epdm	1	
	10020-25000		Sln w/ serrated bearing m4-8-a2k-af7-zg	4	
70	10030-16100		O-ring 38 x 3 mm, epdm	1	
80	10020-25000		Sln w/ serrated bearing m4-8-a2k-af7-zg	1	
90	10020-16800		Hexagon nut din 6923 m3-8-a2k-af5,5	1	
100	70000-36100		Wind quide plate cpl.	1	
110	70000-36200		External pot cpl.	1	
120	70000-36300		Oriel Includes items below	1	
	70000-37100		Oriel complete	1	
	10010-68600		St screw iso 7053 st4,8x13-a2k-c-bnd	4	
130	70000-29100		Sealing profile 140 mm	1	
140	70020-60800		Silicon square sealing	1	
150	10010-71300		St screw iso 14585 st2,9x9,5-a2k-c	1	
160	70020-00065	899500	Electronic	1	
170	70000-07100	828900	Fine wire fuse 1.6 At	1	

	Truma No.	Grove No.	Description	Qty
180	70000-56300 05/14-04/16	856300	Cable harness	1
180	70020-00066 From 05/16		Cable harness Includes items below	1
	70020-00054		Cable harness bo 2v	1
	70020-34400		Shielding plate	1
	10020-16800		Hexagon nut din 6923 m3-8-a2k-af5,5	2
190	70000-26400		Connection clamp	1
200	34000-34200	834201	Therm. Observer temperature	1
210	34000-34300	834300	Temperature sensor	1
220	70020-10200		Ignition electrode with socket	1
230	10010-63100		St screw iso 14585 st2,9x19-a2k-c	1
240	70000-54200	854200	Boiler burner	1
250	70000-56200	856200	Flame rectific. Electr.	1
260	70000-34500		Clamp	1
270	10010-70000		St screw iso 14585 st2,9x6,5-a2k-c	1
280	70000-38200 05/14-04/16	838200	Valve body 30 mbar Includes items below	1
	70000-38200-D		Valve body 30 mbar	1
	39010-11200		Thread protective cap	1
	70000-35800		Gasket for valve	1
280	70020-00067 From 05/16		Solenoid valve 30 mbar Includes items below	1
	70020-00176		Solenoid valve with bag	1
	70000-35800		Gasket for valve	1
	70020-00124		Protection cap for thread m14x1,5	1
	70020-00175		Protection cap d5mm t--mm	1
290	70000-35800		Gasket for valve	1
300	10010-65300		St screw iso 1479 st4,2x19-a2k-c	1
310	70000-54600		U-sheet kit, 2 pcs.	1

Boiler BGF

Truma

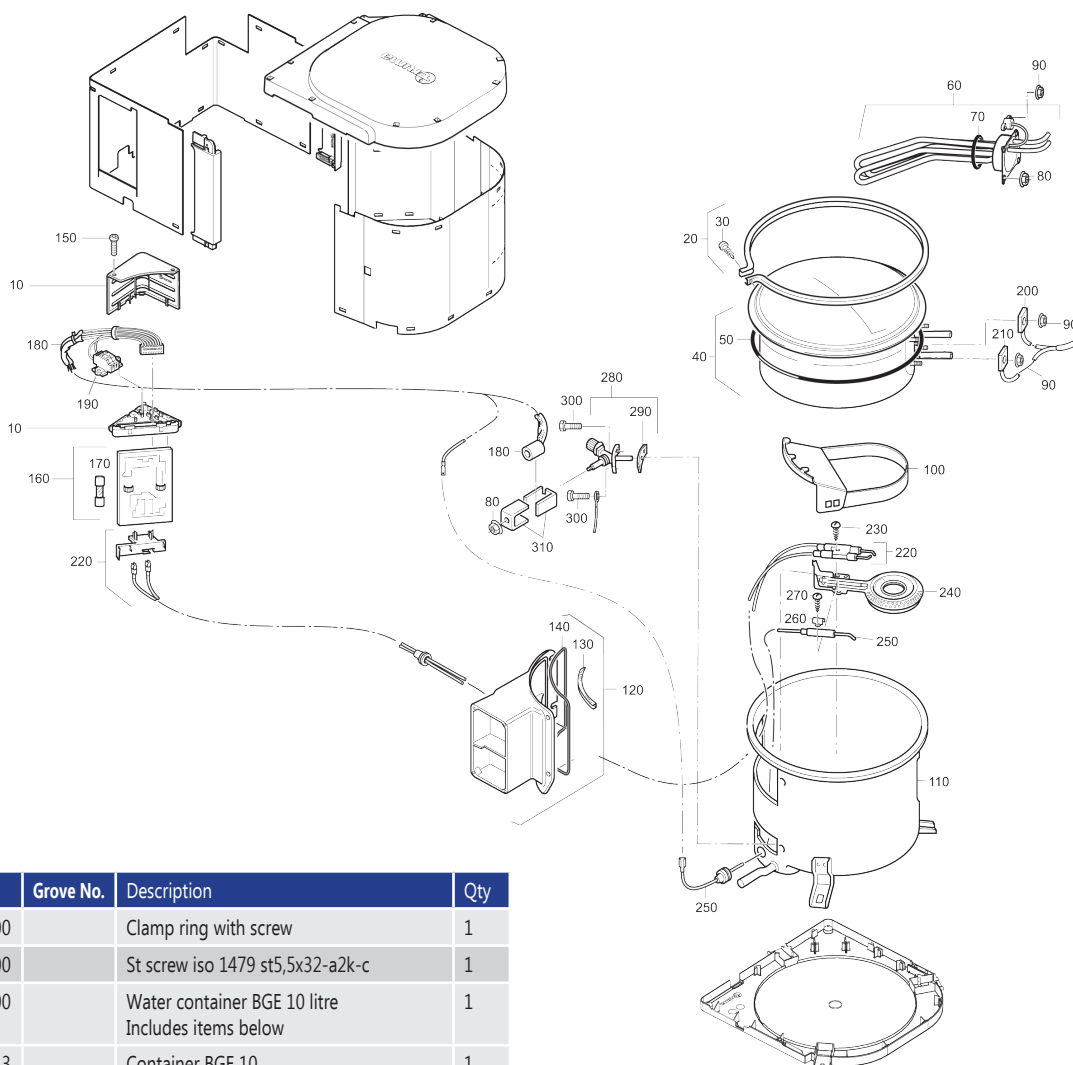


	Truma No.	Grove No.	Description	Qty
10	70020-00063		Case boiler complete Includes items below	1
	70020-38700		Mantel teil1 boiler	1
	70020-00023		Shell part 2 boiler	1
	70020-00024		Cover base boiler cpl.	1
	70020-39000		Cover boiler	1
	70020-39100		Support right boiler	1
	70020-39200		Support left boiler	1
	70020-39300		Pcb holder boiler	1
	70020-39400		Elektronikdeckel boiler	1
	10010-71300		St screw iso 14585 st2,9x9,5-a2k-c	2
	70020-00031		Blank cover	1
20	70000-41200		Clamp ring with screw	1
30	10010-66700		St screw iso 1479 st5,5x32-a2k-c	1
40	70020-36700		Container bge 10l cpl. Includes items below	1
	70020-00043	846022A	Container bge 10 sp	1
	70000-14100		Sealing ring	1
	70020-37900		Blindflansch uge	1
	10030-16100		O-ring 38 x 3 mm, epdm	1
	10020-25000		Sln w/ serrated bearing m4-8-a2k-af7-zg	4
50	70000-14100	846022A	Sealing ring	1
60	70020-36800	802505	Heating el. 230 V, 1300w	1
	70020-30100		Heating element 1300w uge	1
	10030-16100		O-ring 38 x 3 mm, epdm	1
	10020-25000		Sln w/ serrated bearing m4-8-a2k-af7-zg	4
70	10030-16100		O-ring 38 x 3 mm, epdm	1
80	10020-25000		Sln w/ serrated bearing m4-8-a2k-af7-zg	1
90	10020-16800		Hexagon nut din 6923 m3-8-a2k-af5,5	1
100	70000-36100		Wind guide plate cpl.	1
110	70020-00069		Outer pot cpl.	1
130	70000-29100		Sealing profile 140 mm	1
140	70020-60800		Silicon square sealing	1
150	10010-71300		St screw iso 14585 st2,9x9,5-a2k-c	1
160	70020-00089		Electronic BGF	1
170	70000-07100	828900	Fine wire fuse 1.6 At	1

	Truma No.	Grove No.	Description	Qty
180	70020-00090		Cable harness Includes items below	1
	70020-00056		Cable harness BGF 2V	1
	70020-34400		Shielding plate	1
	10020-16800		Hexagon nut DIN 6923 M3-8-A2K-AF5,5,2	2
190	70000-26400		Connection clamp	1
200	34000-34200	834201	Therm. Observer temperature	1
210	34000-34300	834300	Temperature sensor	1
220	70020-10200		Ignition electrode with socket	1
230	10010-63100		St screw iso 14585 st2,9x19-a2k-c	1
240	70000-54200	854200	Boiler burner	1
250	70000-56200	856200	Flame rectific. Electr.	1
260	70000-34500		Clamp	1
270	10010-70000		St screw iso 14585 st2,9x6,5-a2k-c	1
280	70020-00067		Solenoid valve 30 mbar From 05/16	1
	70020-00176		Solenoid valve with bag	1
	70000-35800		Gasket for valve	1
	70020-00124		Protection cap for thread m14x1,5	1
	70020-00175		Protection cap d5mm t--mm	1
290	70000-35800		Gasket for valve	1
300	10010-65300		St screw iso 1479 st4,2x19-a2k-c	1
310	70000-54600		U-sheet kit, 2 pcs.	1
320	70010-25500		Motor incl. Cable	1
330	70010-20900		Cover cpl. Includes items below	1
	70010-22000		cover AT	1
	70000-80500		Silicon square gasket 3x3x475, white	1
	10030-23900		O-ring 22 x 2 mm, VMQ	1
340	70000-80500		Silicon square gasket 3x3x475, white	1
350	10030-23900		O-ring 22 x 2 mm, vmq	1
360	70020-00174		Condensation trap kit Includes items below	1
	70020-00159		hose 10x2, centimeter	30
	70020-00160		Hose clamp DIN 3017 A-8-16x9-W2	1

Ultrastore Rapid GE (05/11-12/14)

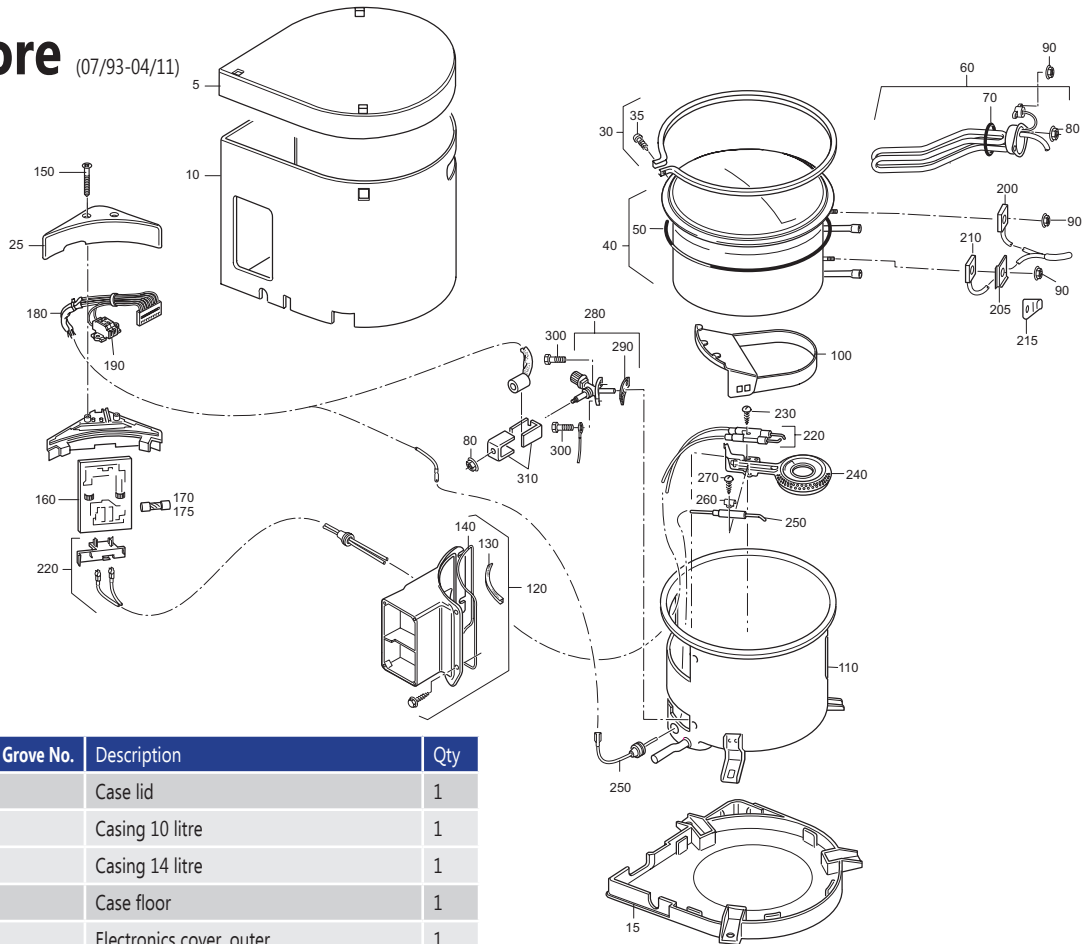
Truma



	Truma No.	Grove No.	Description	Qty
20	70000-41200		Clamp ring with screw	1
30	10010-66700		St screw iso 1479 st5,5x32-a2k-c	1
40	70020-36700		Water container BGE 10 litre Includes items below	1
	70020-00043	846022A	Container BGE 10	1
	70000-14100		Sealing ring	1
	70020-37900		Blind flange UGE	1
	10030-16100		O-ring 38 x 3 mm EPDM	1
	10020-25000		Sl n w/ serrated bearing m4-8-a2k-af7-zg	4
50	70000-14100	846022A	Sealing ring	1
60	70020-36800	802505	Heating element 230v 1300w Includes items below	1
	70020-30100		Heating element 1300 w	1
	10030-16100		O-ring 38 x 3 mm, EPDM	1
	10020-25000		Sl n w/ serrated bearing m4-8-a2k-af7-zg	4
70	10030-16100		O-ring 38 x 3 mm, EPDM	1
80	10020-25000		Sl n w/ serrated bearing m4-8-a2k-af7-zg	1
90	10020-16800		Hexagon nut din 6923 m3-8-a2k-af5,5	1
100	70000-36100		Wind guide plate cpl.	1
110	70000-36200		External pot cpl.	1
120	70000-36300		Oriel, Includes items below	1
	70000-37100		Oriel complete	1
	10010-68600		St screw iso 7053 st4,8x13-a2k-c-bnd	4
130	70000-29100		Sealing profile 140 mm	1
140	70020-60800		Silicon square sealing	1
150	10010-71300		St screw iso 14585	1
160	70020-00065	899500	Electronic	1
170	70000-07100	828900	Fine wire fuse 1.6 At	1

	Truma No.	Grove No.	Description	Qty
180	70000-56300	856300	Cable harness	1
190	70000-26400		Connection clamp	1
200	34000-34200	834201	Therm. Observer temperature	1
210	34000-34300	834300	Temperature sensor	1
220	70020-10200		Ignition electrode with socket	1
230	10010-63100		St screw iso 14585 st2,9x19-a2k-c	1
240	70000-54200	854200	Boiler burner	1
250	70000-56200	856200	Flame rectific. Electr.	1
260	70000-34500		Clamp	1
270	10010-70000		St screw iso 14585 st2,9x6,5-a2k-c	1
280	70000-38200	838200	Valve body 30 mbar Includes items below	1
	70000-38200-D		Valve body 30 mbar	1
	39010-11200		Thread protective cap	1
	70000-35800		Gasket for valve	1
290	70000-35800		Gasket for valve	1
300	10010-65300		St screw iso 1479 st4,2x19-a2k-c	1
310	70000-54600		U-sheet kit, 2 pcs.	1

Ultrastore (07/93-04/11)

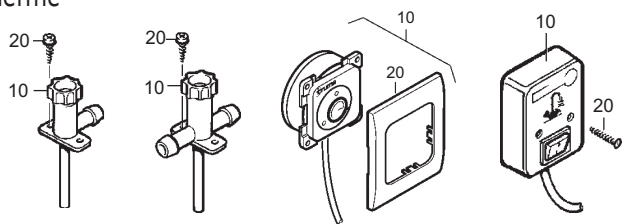


	Truma No.	Grove No.	Description	Qty
5	70020-09900		Case lid	1
10	70020-09800		Casing 10 litre	1
10	70020-09700		Casing 14 litre	1
15	70020-09600		Case floor	1
20	70020-09400		Electronics cover, outer	1
25	70020-09300		Electronics cover, inner	1
30	70000-41200		Clamp ring with screw	1
35	10010-66700		St screw iso 1479 st5,5x32-a2k-c	1
40	70020-60500	861000	Water container b 10 litre Includes items below	1
	70020-00167		Behälter b10 kpl.	1
	10030-15700	825001	O-ring 32 x 2.8 Mm, vmq	1
	70000-65200		Blind flange	1
	10020-25000		Sln w/ serrated bearing m4-8-a2k-af7-zg	2
	70000-14100	846022A	Sealing ring	1
40	70020-60600		Water container b 14 litre Includes items below	1
	70020-00168		Behälter b14 kpl.	1
	10030-15700	825001	O-ring 32 x 2.8 Mm, vmq	1
	70000-65200		Blind flange	1
	10020-25000		Sln w/ serrated bearing m4-8-a2k-af7-zg	2
	70000-14100	846022A	Sealing ring	1
50	70000-14100	846022A	Sealing ring	1
60	70010-03000 Before 12/14 Replaced by 70020-0027	802501	Heating element 230v 850w Includes items below	1
	70010-46600		Heizstab 850 w	1
	10030-15700		O-ring 32 x 2.8 Mm, vmq	1
	10020-25000		Sln w/ serrated bearing m4-8-a2k-af7-zg	2
70	10030-15700		O-ring 32 x 2.8 Mm, vmq	1
80	10020-25000		Sln w/ serrated bearing m4-8-a2k-af7-zg	1
90	10020-16800		Hexagon nut din 6923 m3-8-a2k-af5,5	1
100	70000-36100		Wind guide plate cpl.	1
110	70000-36200		External pot cpl.	1
120	70000-36300		Oriel, Includes items below	1
	70000-37100		Oriel complete	1
	10010-68600		St screw iso 7053 st4,8x13-a2k-c-bnd	4

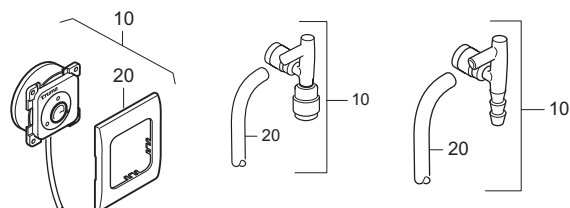
	Truma No.	Grove No.	Description	Qty
130	70000-29100		Sealing profile 140 mm	1
140	70020-60800		Silicon square sealing	1
150	10010-79100		St screw iso 7051 st2,9x32-br-c-z	1
160	70020-00065	899500	Electronic	1
170	70000-28900		Fine wire fuse 1.25 At	1
175	70000-07100	828900	Fine wire fuse 1.6 At	1
180	70000-56300	856300	Cable harness	1
190	70000-26400		Connection clamp	1
200	34000-34200	834201	Therm. Observer temperature	1
205	70000-07000		Heat conducting plate	1
210	34000-34300	834300	Temperature sensor	1
215	70000-52900		Switch clamp	1
220	70020-10200		Ignition electrode with socket	1
230	10010-63100		St screw iso 14585 st2,9x19-a2k-c	1
240	70000-54200	854200	Boiler burner	1
250	70000-56200	856200	Flame rectific. Electr.	1
260	70000-34500		Clamp	1
270	10010-70000		St screw iso 14585 st2,9x6,5-a2k-c	1
280	70000-38200	838200	Valve body 30 mbar Includes items below	1
	70000-38200-D		Valve body 30 mbar	1
	39010-11200		Thread protective cap	1
	70000-35800		Gasket for valve	1
290	70000-35800		Gasket for valve	1
300	10010-65300		St screw iso 1479 st4,2x19-a2k-c	1
310	70000-54600		U-sheet kit, 2 pcs.	1

Controls and water supply

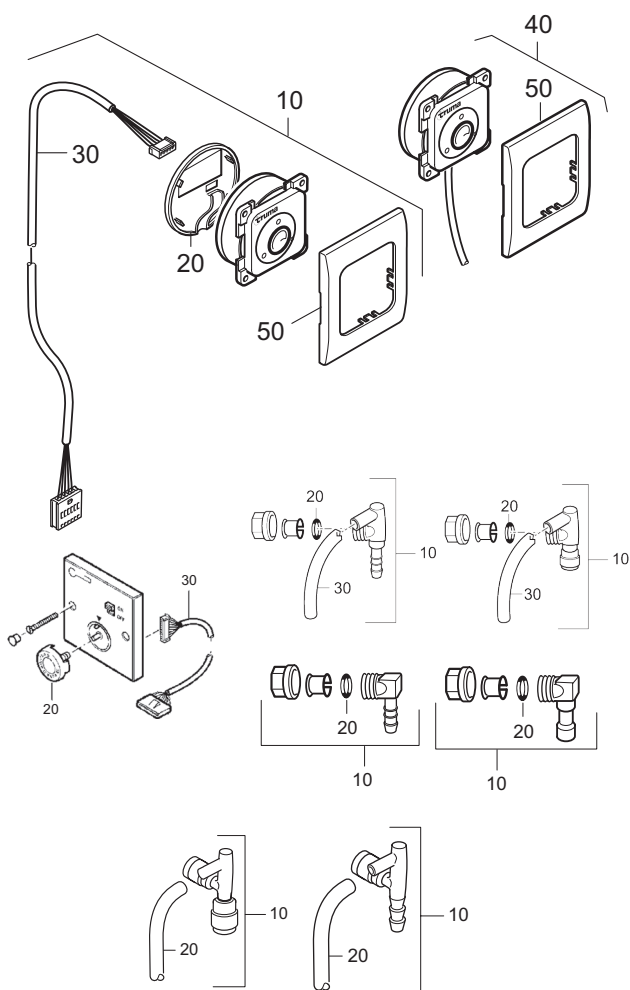
Therme



Boiler Electric

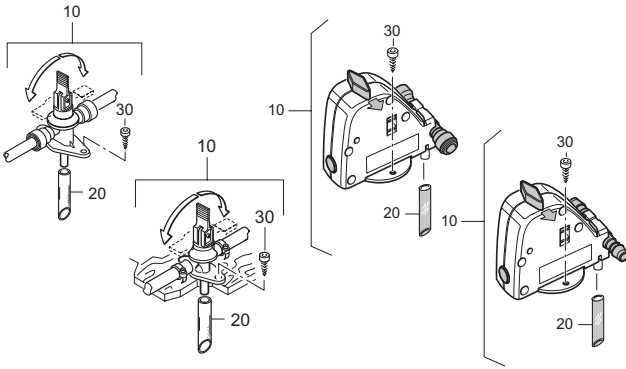


Boiler Gas / Electric & Ultrastore / Boiler Gas & BGF / E 2400



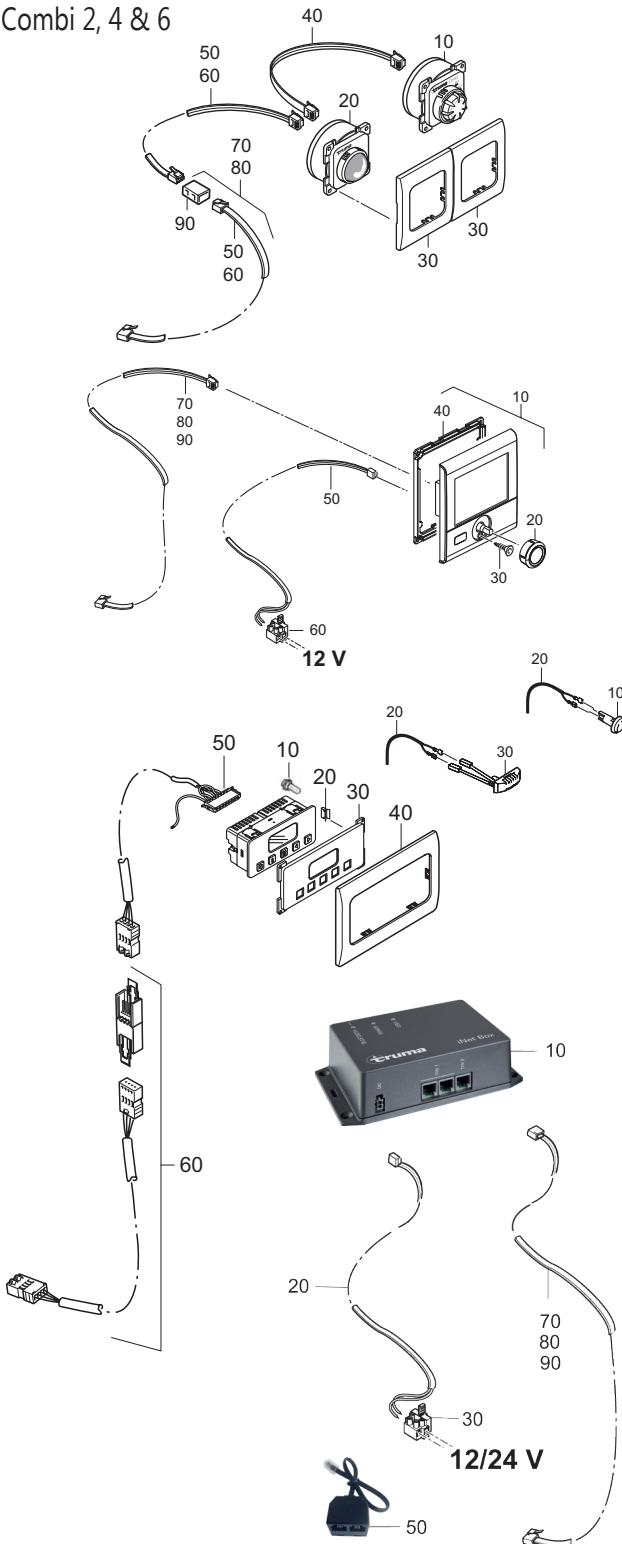
	Truma No.	Grove No.	Description	Qty
Water supply Therme				
10	40020-00400	800400	Drain valve cpl.	1
10	40020-00900		Drain valve T cpl.	1
20	10010-91200		ST screw ISO 14585 ST4,2x13-A2K-C	1
Water supply				
10	34020-63900	863900	Elbow connection valve TB 10	1
10	34020-64000	864000	Elbow connection valve JG 12	1
10	34020-63900	863900	Elbow connection valve JG 10 / TB 10	1
10	34020-64000	864000	Elbow connection valve JG 10 / JG 12	1
10	34150-01	834151	Elbow connection valve M 20 / TB 10	1
10	34151-03	834153	Elbow connection valve M 20 / JG 12	1
10	70150-01	870151	Elbow fitting M 20 / TB 10	1
10	70151-03	870153	Elbow fitting M 20 / JG 12	1
20	10030-21600		O-ring 10 x 2.5 mm, EPDM	1
30	34000-17700		Breathing tube	1
Controls Therme				
10	70000-01600	801600	Control panel 230v to 04/02	1
10	40050-23500		Control panel black & cable 8m 05/02 0n	1
10	40050-23100	819900	Control panel black & cable 3m 05/02 0n	1
10	40050-23300		Control panel black & cable 6m 05/02 0n	1
20	10010-78900		St screw iso 7051 st2,9x25-br-c-z	1
20	34000-67700	860600	Cover frame, black	1
Controls Boiler Electric				
10	70500-03		Control panel 230 V cpl., black	1
20	34000-67700	860600	Cover frame, black	1
Controls Boiler Gas / Electric & Ultrastore				
10	70500-02		Control panel kit 50/70, black	1
20	34030-29900		Housing cover black	1
20	70000-99400	899400	Control knob printed before 06/06	1
30	70000-96200	896200	Control panel cable 3 m	1
30	70000-53500	853500	Control panel extension cable 5 m	1
40	70500-03		Control panel 230 V cpl., black	1
50	34000-67700	860600	Cover frame, black	1
	40020-04900	804900	Ultrastore Control Panel 230V	1
	70000-06700	806700	Boiler / Ultrastore Control Panel	1
Controls Boiler Gas & BGF				
10	70500-02		Control panel kit 50/70, black	1
20	34030-29900		Housing cover black	1
30	70000-96200	896200	Control panel cable 3 m	1
30	70000-53500	853500	Control panel extension cable 5 m	1
50	34000-67700	860600	Cover frame, black	1
Controls E 2400				
10	39030-72300		Trumatic E control panel, black	1
20	34030-29900		Housing cover black	1
30	34000-67700	860600	Cover frame, black	1
40	39030-03400		Control panel cable 10 m	1
40	39050-45900		Control panel cable 4 m	1

Drain Valves and FrostControl

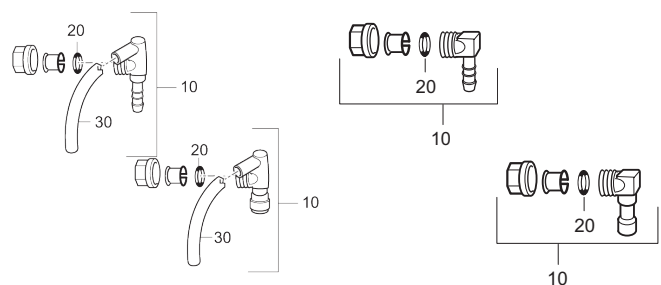


	Truma No.	Grove No.	Description	Qty
10	70141-02	814102	Drain valve TB 10 / 2.8 bar	1
10	70142-05	870145	Drain valve JG 12 / 2.8 bar	1
10	34020-00237	834101K	FrostControl kit TB	1
10	34020-00238	880300K	FrostControl kit JG	1
20	34000-17700		Breathing tube	1
20	70000-20200		Drain tube	1
30	10010-66200		ST screw ISO 7049 ST5,5x25-A2K-C-Z	1

Combi 2, 4 & 6

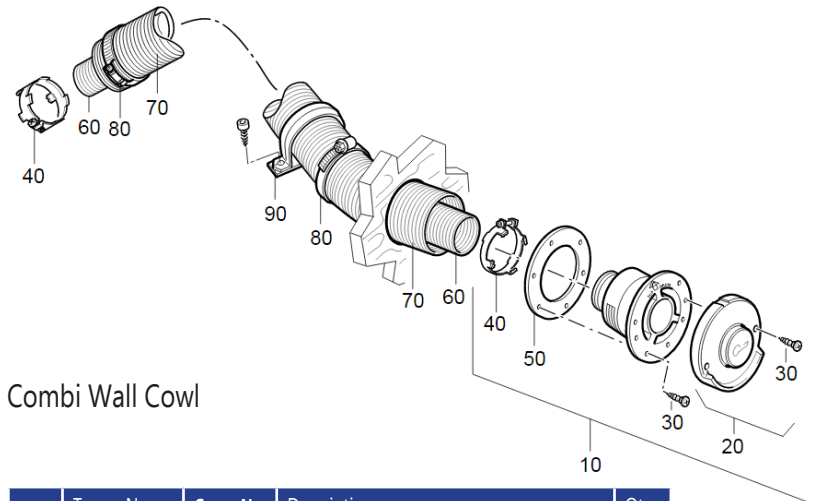


	Truma No.	Grove No.	Description	Qty
Control Panel Combi classic				
10	36011-01	836001	CP classic single pack	1
20	34030-23300	811200	CP Combi electric	1
30	34000-67700		Cover frame, black	1
40	34020-21700	833712	Control panel connecting cable	1
50	36110-01	811051	Control panel cable 3 m	1
60	36110-02		Control panel cable 6 m	1
70	34301-02		Extension cable for control panel, 3 m	1
80	34301-01		Extension cable for control panel, 6 m	1
90	34020-21500		Coupling for extension	1
Control Panel Combi classic CP plus				
10	36021-01 36021-54	836400A	CP plus control panel	1
20	34030-28600		CP plus control knob	1
30	10010-41900		PT screw WN 1413 K30x6-A2K-H	1
40	34030-28500		Montage frame dnt	1
50	34030-28700		CP plus connector cable	1
60	50020-27800		Fuse holder incl. fuse 1 AF	1
70	36110-01	811051	Control panel cable 3 m	1
80	36110-02		Control panel cable 6 m	1
90	36110-03	811052	Control panel cable 9 m	1
Water supply Combi				
10	34020-63900	863900	Elbow connection valve JG 10 / TB 10	1
10	34020-64000	864000	Elbow connection valve JG 10 / JG 12	1
10	34020-16900	816900	Elbow fitting JG 10 / TB 10	1
10	34020-16200	816200	Elbow fitting JG 10 / JG 12	1
10	34150-01	834151	Elbow connection valve M 20 / TB 10	1
10	34151-03	834153	Elbow connection valve M 20 / JG 12	1
10	70150-01	870151	Elbow fitting M 20 / TB 10	1
10	70151-03	870153	Elbow fitting M 20 / JG 12	1
20	10030-21600		O-ring 10 x 2.5 mm, EPDM	1
30	34000-17700		Breathing tube	1



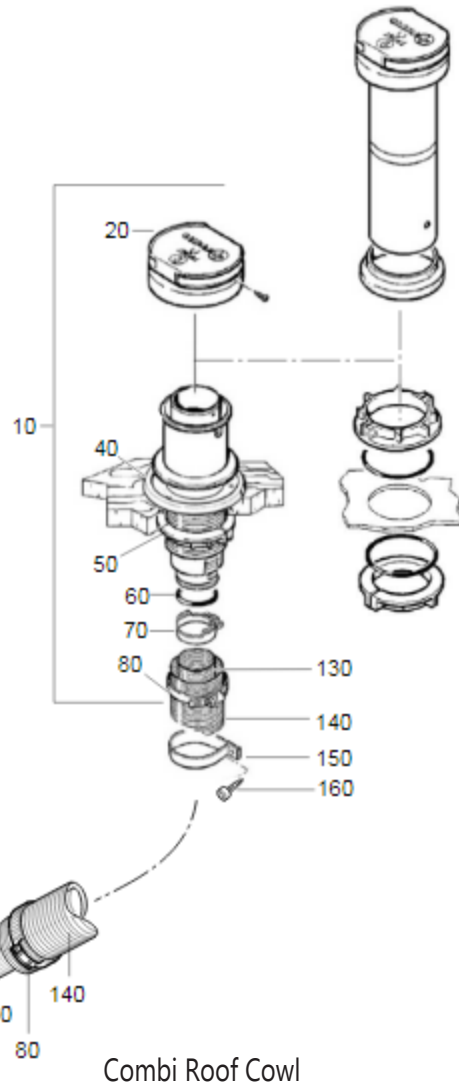
Exhaust and Air Supply Systems

Truma



Combi Wall Cowl

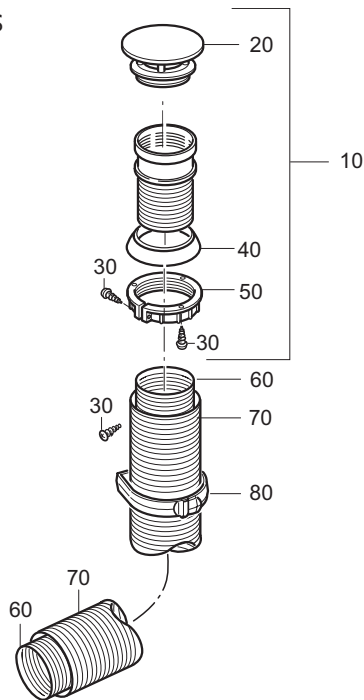
	Truma No.	Grove No.	Description	Qty
10 to 90	36230-01 36230-05 36230-08 36230-09 36230-10	834111 834112	Wall cowl Kit CW, cream Wall cowl Kit CW, bianco Wall cowl Kit CW, light grey Wall cowl Kit CW, black Wall cowl Kit CW, anthracite	1 1 1 1 1
10	36130-01 36130-05 36130-07 36130-08 36130-09 36130-10	834015 834009	Wall cowl WKC, cream Wall cowl WKC, bianco Wall cowl WKC, dusty grey Wall cowl WKC, light grey Wall cowl WKC, black Wall cowl WKC, anthracite	1 1 1 1 1 1
20	34000-33600 34000-11000 34000-10600 34000-15000 34000-14400 34000-50300	833600 810600 812207	Cowl outer part WKC, cream Cowl outer part WKC, bianco Cowl outer part WKC, dusty grey Cowl outer part WKC, light grey Cowl outer part WKC, black Cowl outer part WKC, anthracite	1 1 1 1 1 1
30	10010-72900		ST screw ISO 7049 ST3,5x25-A2-20H-C-Z	1
40	34020-14200		Exhaust duct clamp	1
50	34000-10700		Wall cowl gasket 104.5 mm, dusty grey	1
60	39320-00		Exhaust duct AA 3, Ø 55 mm	1
70	39580-00		Air supply duct ZR 80, Ø 80 mm	1
80	39010-61800		Hose clamp DIN 3017 A-70-90x9-W4	1
90	39590-00	839590	Clamp ZRS, Ø 80 mm	1



Combi Roof Cowl

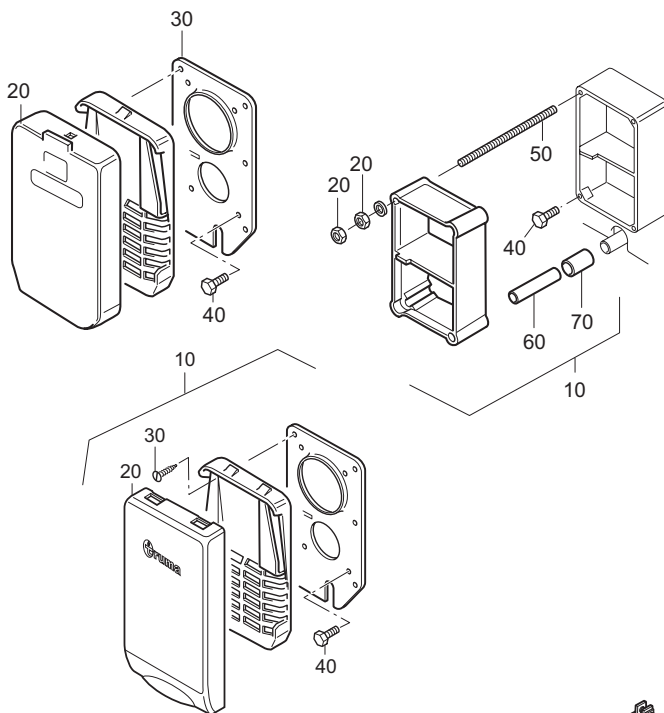
	Truma No.	Grove No.	Description	Qty
10	34051-01		Roof cowl DKC 2, cream	1
20	34000-19700		Cowl roof	1
40	34000-08100		Cowl seal	1
50	34000-34700		Screwing ring	1
60	34010-05700	898306	O-ring 40 x 2.5 mm, VMQ	1
70	39010-01500		SE-Tension clip cpl.	1
80	39010-61800		Hose clamp DIN 3017 A-70-90x9-W4	1
100	34000-13900		Sealing ring	1
120	10030-26700		O-ring 66 x 2 mm, VMQ	1
130	39320-00		Exhaust duct AA 3, Ø 55 mm	1
140	39580-00		Air supply duct ZR 80, Ø 80 mm	1
150	39590-00	839590	Clamp ZRS, Ø 80 mm	1
160	10010-72500		ST screw ISO 7049 ST3,5x16-A2K-C-Z	1
170	34020-14200		Exhaust duct clamp	1
	34070-01	812206	Cowl extension KVC	1
	30090-00076	820800	Cowl extension AKV	1
	34121-01	834122	Roof Cowl kit complete 3m cream	1

S3000/S5000 Heaters



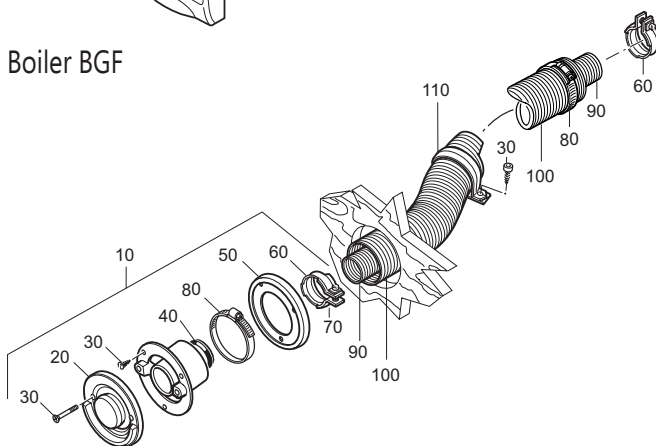
	Truma No.	Grove No.	Description	Qty
10	30630-01 30651-01	830651	Roof cowl AK 3, Ø 60 mm Roof cowl AKL 5, Ø 70 mm	1 1
20	30010-20900	801020	Cowl roof KD	1
	30700-02	830702	Cowl screw top T2	1
	30700-03	830702	Cowl screw top T3	
	30690-00	830690	Flue extension SKV 45cm	1
30	10010-72500		ST screw ISO 7049 ST3,5x16-A2K-C-Z	1
40	30010-20600 30050-17800	820600	Sealing ring S3 Sealing ring S53	1 1
50	30010-20700 30050-17900		Screwing ring Roof cowl AKL 5 screwing ring	1 1
60	30140-00 30160-00		Exhaust duct AE 3, Ø 55 mm Exhaust duct AE 5, Ø 65 mm	1 1
70	40230-00 40250-00	801288	Duct ÜR, Ø 65 mm Duct ÜR 5, Ø 75 mm	1 1
80	40241-01 40261-01		Clamp ÜS, grey, Ø 65 mm Clamp ÜS 5, grey, Ø 72 - 75 mm	1 1
	30330-04	830330	S3002 / S3004 roof flue kit complete	

Boiler Gas, Gas / Electric, Ultrastore & Ultrastore Rapide



	Truma No.	Grove No.	Description	Qty
10	70131-00	870131	Flue extension VBO 2 complete	1
10	70300-02	843200K	Cowl kit, pure white	1
10	70300-03		Cowl kit, bianco	1
20	70122-01	870122	Cowl cover KBS 3, pure white	1
20	70122-02	812208	Cowl cover KBS 3, bianco	1
20	70122-05	812205	Cowl cover KBS 3, anthracite	1
20	70121-01	870121	Cowl cover KBS 2, cream	1
30	10010-72900		ST screw ISO 7049 ST3,5x25-A2-20H-C-Z	1
40	10010-83300		Screw DIN 7500-PE M4x10-A2K	1
	70010-16000	871875	Removal tool for KBS2	1

Boiler BGF



	Truma No.	Grove No.	Description	Qty
10	39381-01 39381-03 39381-06		Wall cowl WK 24, cream Wall cowl WK 24, black Wall cowl WK 24, bianco	1 1 1
20	39050-62300 39050-62400 39050-62900		Cowl outer part WK 24, cream Cowl outer part WK 24, black Cowl outer part WK 24, bianco	1 1 1
30	39050-00295		VarioHeat screw kit	1
40	39050-00237		VarioHeat seal kit	1
50	39050-71600 39050-70300 39050-62500		Wall cowl gasket 97.6 mm, cream Wall cowl gasket 97.6 mm, black Wall cowl gasket 97.6 mm, bianco	1 1 1
60	39050-00230		Cowl mounting kit	1
70	39050-73700		Exhaust duct clamp	1
80	39050-71800	871800	Hose clamp DIN 3017 A-50-70x9-W2	1
90	39420-00	839420	Exhaust duct AA 24, Ø 33 mm	1
100	39440-00	839421	Air supply duct ZR 24, Ø 64 mm	1
110	40241-01		Clamp ÜS, grey, Ø 65 mm	1

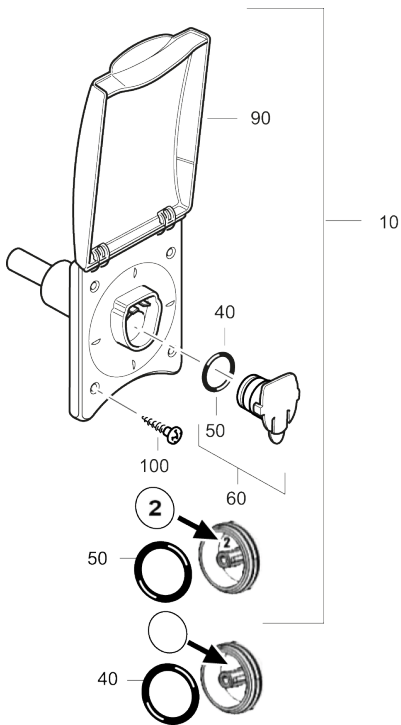
Air Distribution



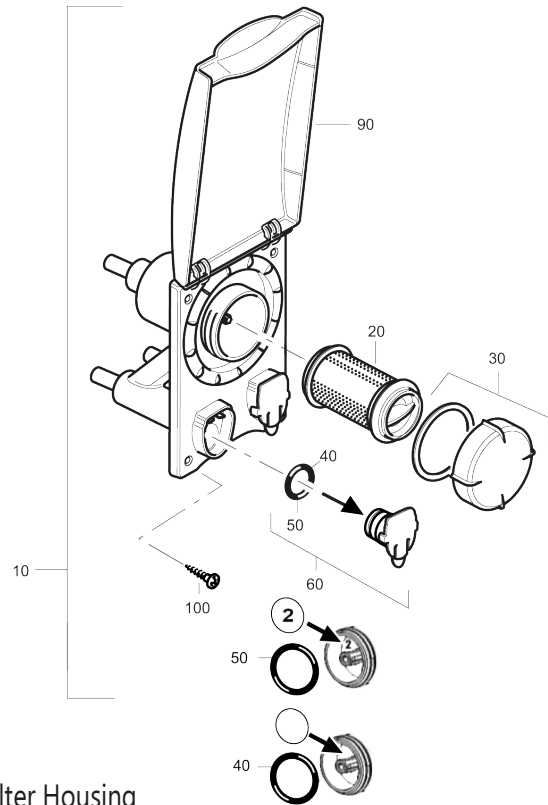
Truma

	Truma No.	Grove No.	Description	Qty		Truma No.	Grove No.	Description	Qty
10	34092-01	834090A	Elbow BGC, black	1	210	40171-25		End outlet EN-L, black	1
15	39590-00	839590	Clamp ZRS, Ø 80 mm	1	220	40290-02		Connector piece ANH, black Sapphire	1
20	34310-01		Blank cover CB, black	1	220	40101-01		Cover BL 22, agate grey	1
20	40040-32200		Cold air channel Sapphire	1	230	40280-01		Rectangular air outlet, black	1
25	40040-24100		Connector	1	230	40101-02		Cover BL 30, agate grey	1
30	39611-01	839610	Y piece Ø 80mm - 2 x Ø 72/65mm	1	240	40721-09		Lamellar insert LA, olive brown	1
30	40090-44100		Saphir EasySet, beige	1	240	40721-04		Lamellar insert LA, grey	1
35	40090-44400		Saphir EasySet, agate grey	1	240	40721-03		Lamellar insert LA, brown	1
40	40090-00038		Sound muffler	1	240	40721-05		Lamellar insert LA, black	1
60	40200-00	840201	Duct KR 65, Ø 65 mm Sapphire	1	240	40721-02	872102	Lamellar insert LA, beige	1
60	40230-00	801288	Duct ÜR, Ø 65 mm	1	240	40721-01	872101	Lamellar insert LA, agate grey	1
70	40241-01	801818	Clamp ÜS, grey, Ø 65 mm	1	250	39971-02	839972	Swivel air outlet SCW 2, beige	1
80	39550-00	839550	Duct VR 72, Ø 72 mm	1	250	39971-03		Swivel air outlet SCW 2, basalt grey	1
80	39450-00	839580	Duct VR 80, Ø 80 mm (Varioheat / E2400)	1	250	39971-01	839971	Swivel air outlet SCW 2, black	1
90	40261-01		Clamp ÜS 5, grey, Ø 72 - 75 mm	1	260	40152-01	801328	T-piece TS, agate grey	1
120	39580-00		Air supply duct ZR 80, Ø 80 mm Sapphire	1	270	34020-24000		Clips 4 pcs.	1
120	40681-00		Insulated air duct 2m	1	280	40702-01		Wall outlet vent WL, agate grey	1
130	39170-00	839170	Air supply duct ZR 18, Ø 49 mm	1	290	40192-01		Y-piece, agate grey	1
130	30140-00	801536	Exhaust duct Ø 55 mm stainless steel	1	300	40740-01	876400	Elbow BG, black	1
140	39190-00		Clamp ZRS 18, Ø 49 mm	1	310	40730-01		Insulating elbow, black	1
150	40210-00		Duct AZR, Ø 22 mm	1	320	40121-01		Cord op. duct shut-off SP, agate grey	1
160	40220-00		Clamp AZS, Ø 22 mm	1	330	40121-02		Cord op. duct shut-off SP 2, agate grey	1
170	40152-02	840151	T-pipe LT, agate grey	1	340	40162-01	840160	Straight coupling, agate grey	1
180	40181-01	801325	End outlet nut EM, agate grey	1	350	40131-01	840130	Branch T AT, agate grey	1
190	40171-06		End outlet EN, white	1	360	40391-01		Duct cover RD, agate grey	1
	40171-08		End outlet EN, silver	1	370	39010-81300	881300	Reducer RZ, black	1
	40171-09		End outlet EN, olive brown	1	380	40381-01		Reducer RZ35, agate grey	1
	40171-04	801321	End outlet EN, grey	1	390	40302-01	840300	Branch AB35, agate grey	1
	40171-03		End outlet EN, brown	1	400	40320-00	840320	Duct IR, Ø 35 mm, with holes	1
	40171-02	801320	End outlet EN, beige	1	410	40320-01		Duct IR, Ø 35 mm, without holes	1
	40171-01		End outlet EN, agate grey	1	420	40331-01	840330	Clamp IS, grey, Ø 35 mm	1
	40171-05	801323	End outlet EN, black	1	430	40311-01		Corner air outlet, agate grey	1
200	40171-29		End outlet EN-O, olive brown	1	440	40353-01	801335	Blank cover VD, agate grey	1
	40171-07		End outlet EN-O, agate grey	1	450	40371-02		Awning warmer, ivory	1
						40371-01	840365	Awning warmer, pure white	1

Ultraflow



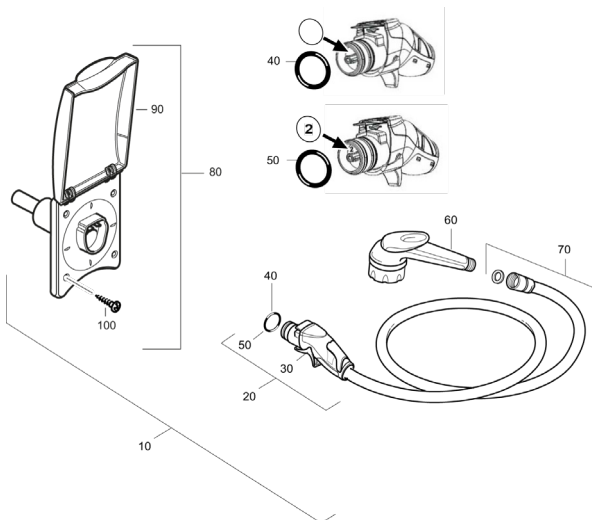
Compact Filter Housing



Filter Housing

	Truma No.	Grove No.	Description	Qty
10	46030-01	846031	UF compact housing white	1
	46030-13	846030	UF compact housing grey	1
40	40060-91400		O-ring 25 x 2.3 mm, NBR	1
50	40060-72900	846729	O-ring 25 x 2 mm, NBR	4
60	40060-96600	846966	Cover complete	1
90	40060-97300	846974	Cover compact housing white	1
90	40060-97400	846973	Cover compact housing ivory	1
100	10010-79700		ST screw DIN 7982 ST3,5x19-A2-20H-C-Z	1

	Truma No.	Grove No.	Description	Qty
10	46010-01	846011	UF Filter housing white	1
	46010-02	846012	UF Filter housing ivory	1
	46010-13	846013	UF Filter housing grey	1
20	46020-01	846020	UF Replacement filter	1
30	40060-96400	846964	Filter cover	1
40	40060-91400		O-ring 25 x 2.3 mm, NBR	1
50	40060-72900	846729	O-ring 25 x 2 mm, NBR	4
60	40060-96600	846966	Cover complete	1
90	40060-96100	846961	Cover filter frame white	1
100	10010-79700		ST screw DIN 7982 ST3,5x19-A2-20H-C-Z	1

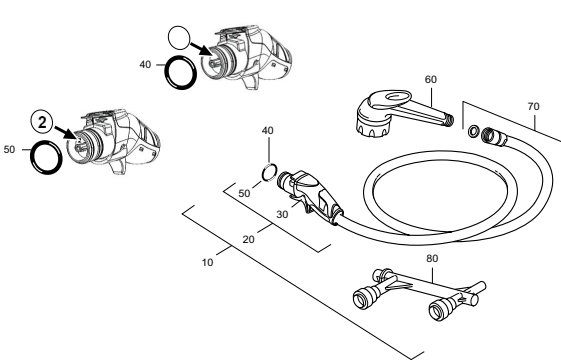


Compact shower kit

	Truma No.	Grove No.	Description	Qty
10	46070-01	846071	Ultraflow compact shower kit, pure white	1
20	40060-97700		Pistol housing cpl.	1
30	40060-97100		Pistol lever	1
40	40060-91400		O-ring 25 x 2.3 mm, NBR	1
50	40060-72900	846729	O-ring 25 x 2 mm, NBR	4
60	40060-96800	896800	Shower head	1
70	40060-96900		Shower hose cpl.	1
80	40060-99600		Shower housing white compl.	1
90	40060-97500	846975	Cover shower housing white	1
100	10010-79700		ST screw DIN 7982 ST3,5x19-A2-20H-C-Z	1

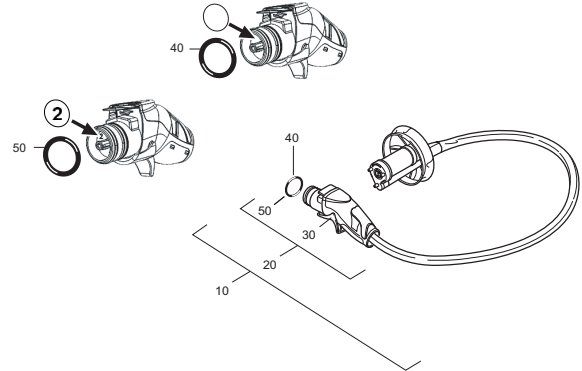
Ultraflow

Truma



Shower Assembly

	Truma No.	Grove No.	Description	Qty
10	46080-01	846080	UF Shower filter housing	1
20	40060-97700		Pistol housing complete	1
30	40060-97100		Pistol lever	1
40	40060-91400		O-ring 25 x 2.3 mm, NBR	1
50	40060-72900	846729	O-ring 25 x 2 mm, NBR	4
60	40060-96800	896800	Shower head	1
70	40060-96900		Shower hose cpl.	1
80	40060-96700	846967	Connector bridge cpl.	1

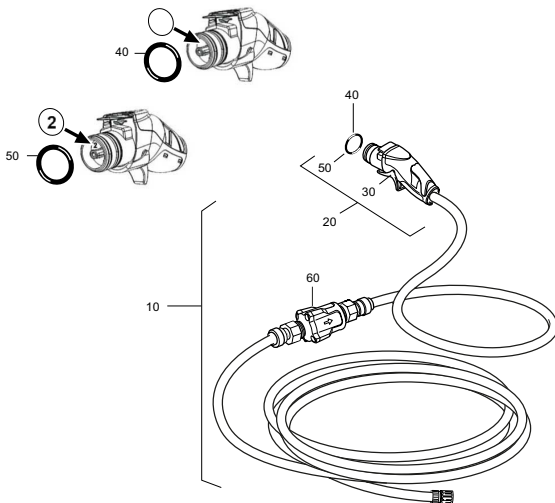


Pump Assembly

	Truma No.	Grove No.	Description	Qty
10	46040-01	846041	UF water pump assembly	1
20	40060-97700		Pistol housing cpl.	1
30	40060-97100		Pistol lever	1
40	40060-91400		O-ring 25 x 2.3 mm, NBR	1
50	40060-72900	846729	O-ring 25 x 2 mm, NBR	4

Ultraflow Pressure Switch

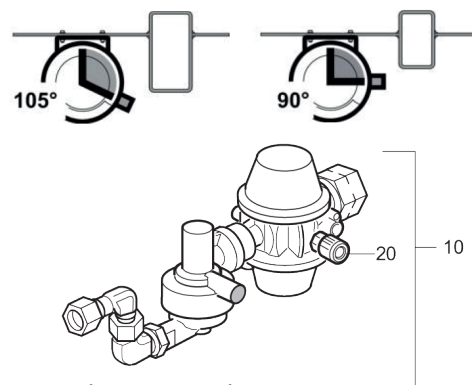
	Truma No.	Grove No.	Description	Qty
	ASP01	898600	UF pressure switch	1



Waterline

	Truma No.	Grove No.	Description	Qty
10	46090-01	846090	Ultraflow waterline	1
20	40060-97700		Pistol housing cpl.	1
30	40060-97100		Pistol lever	1
40	40060-91400		O-ring 25 x 2.3 mm, NBR	1
50	40060-72900	846729	O-ring 25 x 2 mm, NBR	4
60	40060-98700		Pressure reducer Waterline	1

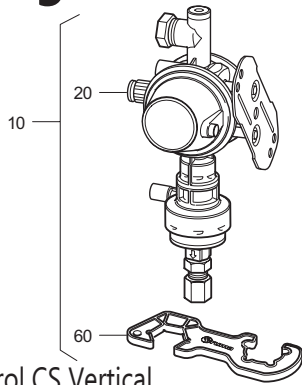
Gas Regulators



MonoControl CS Gas Tank

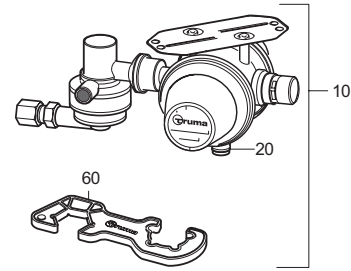
	Truma No.	Grove No.	Description	Qty
10	52420-21	070371	MonoControl CS gas tank 90°	1
10	52420-31		MonoControl CS gas tank 105°	1
20	50020-76100		Screw cap test connection	1

Gas Regulators



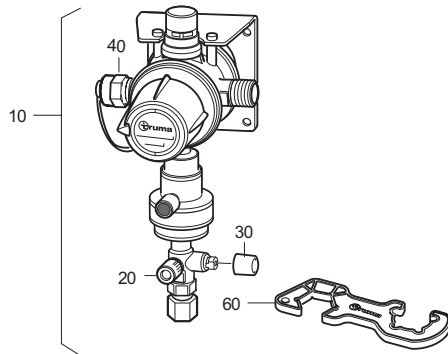
MonoControl CS Vertical

	Truma No.	Grove No.	Description	Qty
10	52410-01	070373	MonoControl CS vertical	1
20	50020-76100		Screw cap test connection	1
60	50020-86800		Spanner SW23/KF	1



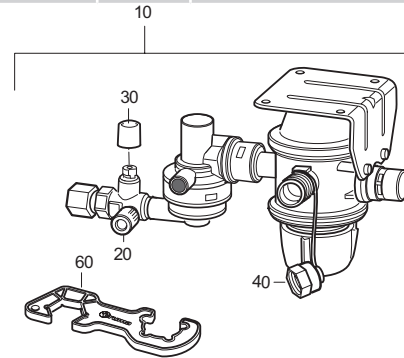
MonoControl CS Horizontal

	Truma No.	Grove No.	Description	Qty
10	52420-01	070380	MonoControl CS horizontal	1
20	50020-76100		Screw cap test connection	1
60	50020-86800		Spanner SW23/KF	1



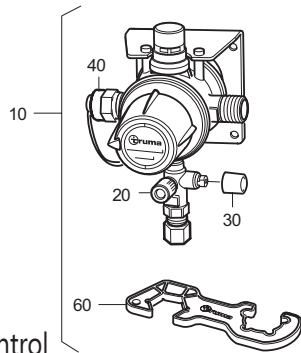
DuoControl CS Vertical

	Truma No.	Grove No.	Description	Qty
10	51610-01	070377	DuoControl CS vertical	1
20	50020-76100		Screw cap test connection	1
30	50020-76000		Test connection cap	1
40	50020-61800		Cover DuoComfort	1
60	50020-86800		Spanner SW23/KF	1



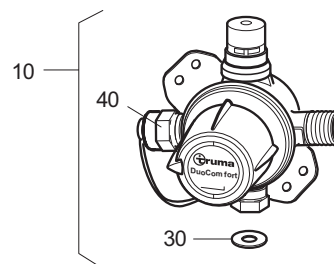
DuoControl CS Horizontal

	Truma No.	Grove No.	Description	Qty
10	51620-01		DuoControl CS horizontal	1
20	50020-76100		Screw cap test connection	1
30	50020-76000		Test connection cap	1
40	50020-61800		Cover DuoComfort	1
60	50020-86800		Spanner SW23/KF	1



DuoControl

	Truma No.	Grove No.	Description	Qty
10	51510-01	070376	DuoControl	1
20	50020-76100		Screw cap test connection	1
30	50020-76000		Test connection cap	1
40	50020-61800		Cover DuoComfort	1
60	50020-86800		Spanner SW23/KF	1

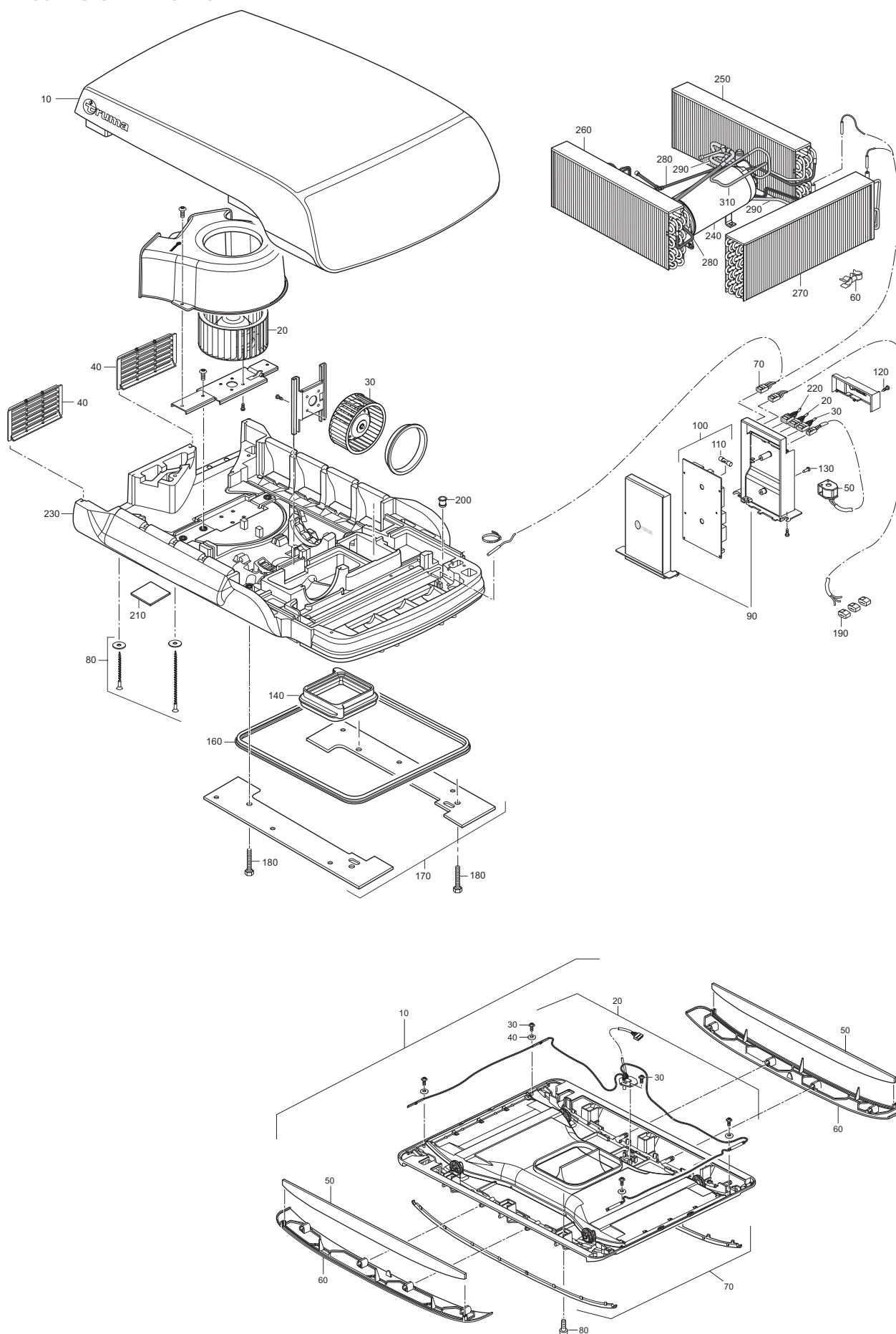


DuoComfort

	Truma No.	Grove No.	Description	Qty
10	51500-01		DuoComfort	1
30	50020-76300		Flat gasket G.13	1
40	50020-61800		Cover DuoComfort	1

Aventa Comfort

Truma

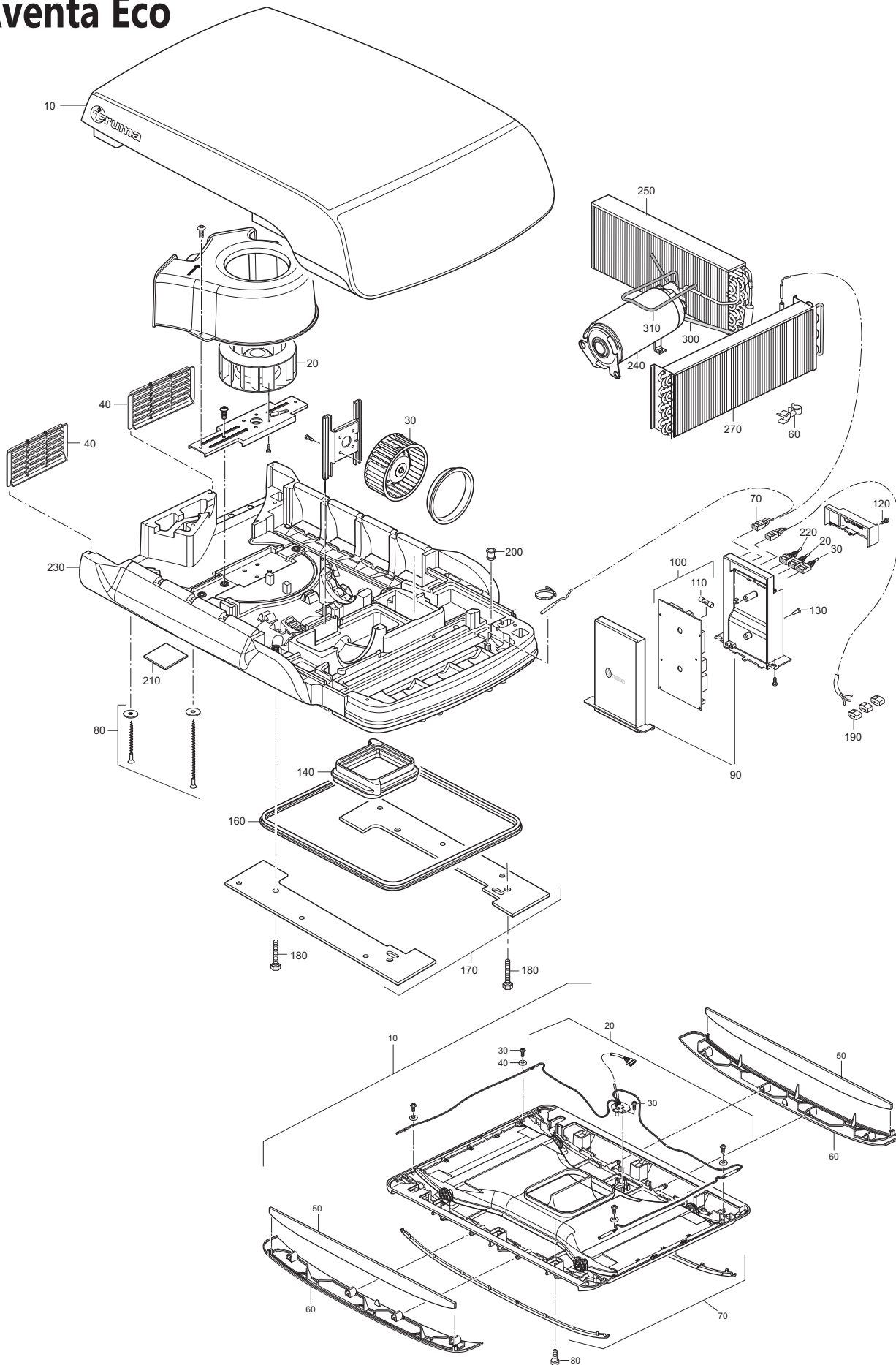


	Truma No.	Grove No.	Description	Qty
Exterior				
10	40091-82800		Aventa top case cpl.	1
20	40091-82200		Fan condensor coil	1
30	40091-82500		Aventa comfort evaporator fan	1
40	40091-82600		Aventa outlet grille	1
50	40091-82000		Solenoid coil	1
60	40091-18700		Hose holder	1
70	40091-82100		Cable harness sensor Includes items below	1
	40091-17600		Kabelbaum temperatursens-	1
	39010-49300		Cable tie 102 x 2.5 Mm	3
80	40091-83000		Screw kit Includes items below	1
	10010-91300		Cs chipboard screw 5x70-a2k-t25	6
	10010-90500		Cs chipboard screw 5x120x70-a2k-t25	1
	10020-53000		Countersunk washer 22 x 6,4 mm	7
	40091-17200	801021A	Hex bolt din 933 m6x70-8.8-A2k-af10-s	4
90	40091-81200		Aventa comfort electronics housing 05/11-03/13, Includes items below	1
	40091-12300		Elektronikgehaeuse ut	1
	40091-13300		Elektronikgehaeuse ot	1
	60030-15700		Zugentlastungsschelle	1
	10010-40400		Plast screw w1412 4x10-10.9-A3k-z2	2
90	40091-83900		Aventa comfort electronics housing After 03/13, Includes items below	1
	40091-25900		E-gehaeuse unterteil	1
	40091-26200		E-gehaeuse oberteil	1
	60030-15700		Zugentlastungsschelle	1
	10010-40400		Plast screw w1412 4x10-10.9-A3k-z2	2
100	40091-81400		Electronics aventa comfort 05/11-03/13	1
	40091-83400		Electronics aventa comfort After 03/13	1
110	40091-81500		Fine wire fuse 6.3 At, h	1
120	10010-70000		St screw iso 14585 st2,9x6,5-a2k-c	1
130	10010-73800		St screw iso 14585 st3,5x9,5-a2k-c	1
140	40091-81100		Base ring	1
150	40091-16900	102169A	Roof thickness adapter 10 mm	1
160	40091-82700		Sealing profile	1
170	40091-81900		Angle bracket kit Includes items below	1
	40091-24300		Haltewinkel	2
	40091-18800		Einziehmutter m6 mit 6kt	6
180	40091-17200	801021A	Hex bolt din 933 m6x70-8.8-A2k-af10-s	1
190	40091-18400		Wago clamp	1
200	40091-80600		Condensation trap kit	1
	40091-31100		Condensate drain	2
210	40091-80500		Rubber plates (2 pcs)	1
220	40091-11200		Connecting cable compress	1
230	40091-83100		Bottom cpl.	1
240	40091-83200		Compressor cpl.	1
250	40091-14800		Cond coil li. Kpl	1
260	40091-14900		Condens coil re. Kpl	1
270	40091-17000		Evapor coil wt kpl	1
280	40091-11500		Hight-pressure line	1

	Truma No.	Grove No.	Description	Qty
310	40091-11400		Heating gas line	1
***	40091-80700		Acc. Kit aventa comfort Includes items below	
	40091-20700		Flansch	1
	40091-17200	801021A	Hex bolt din 933 m6x70-8.8-A2k-af10-s	4
	40091-16900	102169A	Roof thickness adapter 10 mm	2
	10010-15200	801021	Cyl screw iso 4762 m6x12-8.8-A2f-mk-s	6
	40091-18400		Wago clamp	3
	40091-39600		Remote control aventa	1
	34020-14600		Control panel cable 3 m	1
	40091-24300		Haltewinkel	2
	40091-18800		Einziehmutter m6 mit 6kt	6
Interior				
10	40091-00030		Kabelbaum ir und led	1
	40091-00028		Cable harness ir and led, 12 v	1
	10020-23000		Washer din 9021 3,2 140 hv-a2k	4
	10010-41300		Pt screw delta wn 5451 22x6-a2k	4
20	10010-41300		Pt screw delta wn 5451 22x6-a2k	1
30	10020-23000		Washer din 9021 3,2 140 hv-a2k	1
40	40091-16800		Aventa air filter kit, 2 pcs.	1
50	40091-80100		Set of panels brown	1
	40091-80200		Set of panels grey	1
	40091-80300		Set of light cond. Cpl.	1
70	10010-15200		Cyl screw iso 4762 m6x12-8.8-A2f-mk-s	1
80	40091-33000		Adapter 12 v	1

Aventa Eco

Truma

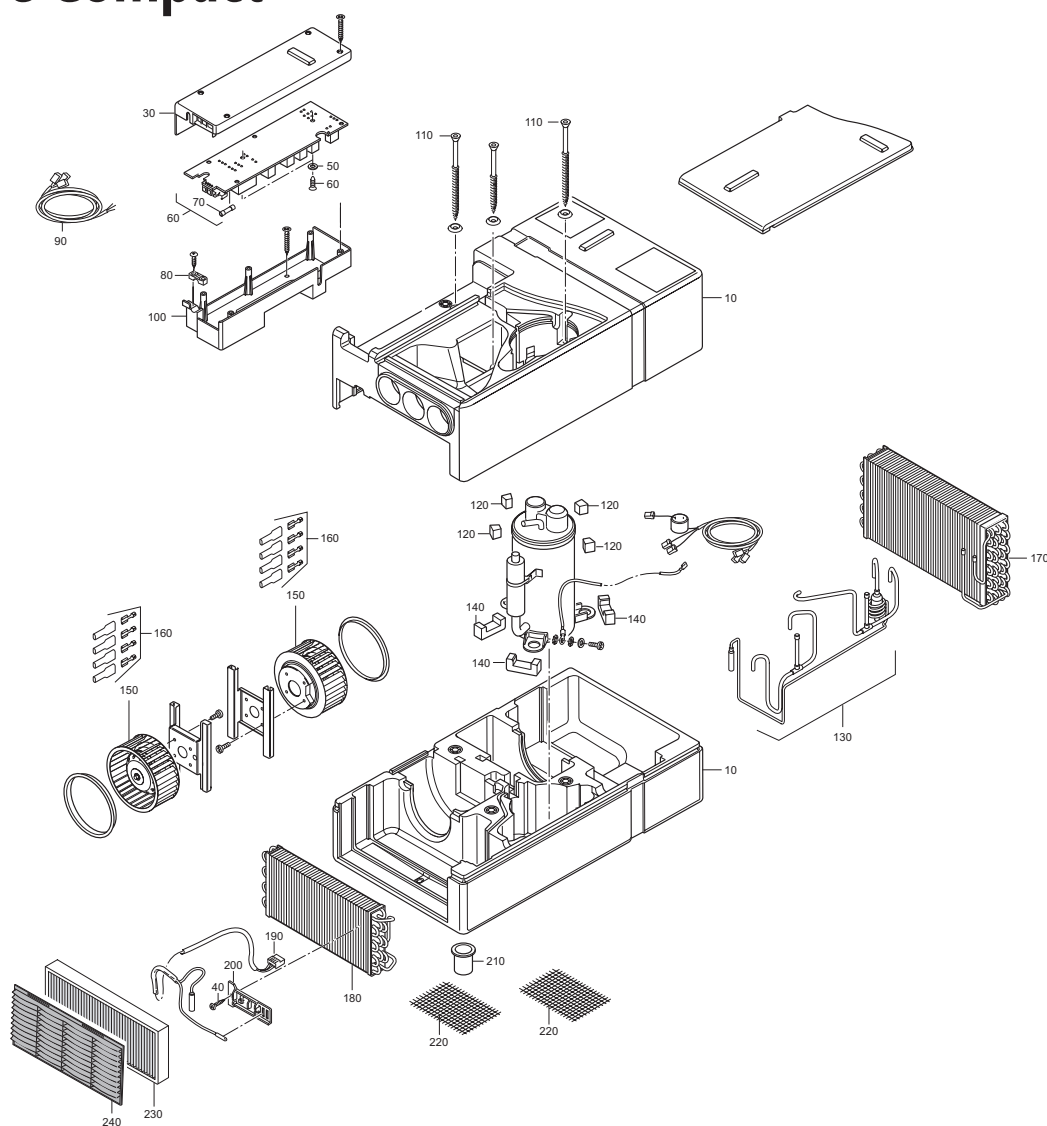


	Truma No.	Grove No.	Description	Qty
Exterior				
10	40091-82800		Aventa top case cpl.	1
20	40091-83600		Fan condensor coil eco	1
30	40091-83800		Aventa eco evaporator fan	1
40	40091-82600		Aventa outlet grille	1
70	40091-84900		Cable harness sensor Includes items below	1
	40091-32300 39010-49300		Kb temperatursensor Cable tie 102 x 2.5 Mm	1 2
80	40091-83000		Screw kit Includes items below	1
	10010-91300	801021A	Cs chipboard screw 5x70-a2k-t25	6
	10010-90500		Cs chipboard screw 5x120x70-a2k-t25	1
	10020-53000		Countersunk washer 22 x 6,4 mm	7
	40091-17200		Hex bolt din 933 m6x70-8.8-A2k-af10-s	4
40091-83900			Electronics housing Includes items below	1
90	40091-25900		E-gehaeuse unterteil	1
	40091-26200		E-gehaeuse oberteil	1
	60030-15700		Zugentlastungsschelle	1
	10010-40400		Plast screw w1412 4x10-10.9-A3k-z2	2
	100	40091-84100		Aventa eco electronics
110	40090-29900		Fine wire fuse 5 at, h	1
120	10010-70000		St screw iso 14585 st2,9x6,5-a2k-c	1
130	10010-73800		St screw iso 14585 st3,5x9,5-a2k-c	1
140	40091-81100		Base ring	1
160	40091-82700		Sealing profile	1
	40091-81900		Angle bracket kit Includes items below	1
	40091-24300 40091-18800		Haltewinkel Einziehmutter m6 mit 6kt	2 6
180	40091-17200	801021A	Hex bolt din 933 m6x70-8.8-A2k-af10-s	1
190	40091-18400		Wago clamp	1
200	40091-80600		Condensation trap kit Includes items below	1
	40091-31100		Condensate drain	2
210	40091-80500		Rubber plates (2 pcs)	1
220	40091-11200		Connecting cable compress	1
230	40091-83100		Bottom cpl.	1
240	40091-84400		Aventa eco compressor cpl.	1
250	40091-14800		Cond coil li. Kpl	1
270	40091-21700		Evap. Coil wt cpl..	1
300	40091-22800		Suction line e7	1
310	40091-22900		Hot gas line e7	1
***	40091-80700		Accessories Kit aventa comfort Includes items below	1
	40091-20700	801021A 102169A 801021	Flansch	1
	40091-17200		Hex bolt din 933 m6x70-8.8-A2k-af10-s	4
	40091-16900		Roof thickness adapter 10 mm	2
	10010-15200		Cyl screw iso 4762 m6x12-8.8-A2f-mk-s	6
	40091-18400		Wago clamp	3
	40091-39600		Remote control aventa	1
	34020-14600		Control panel cable 3 m	1
	40091-24300		Haltewinkel	2
	40091-18800		Einziehmutter m6 mit 6kt	6

	Truma No.	Grove No.	Description	Qty
Interior				
10	40091-00030		Kabelbaum IR und LED Includes items below	1
	40091-00028		Cable harness IR and LED, 12 V	1
	10020-23000 10010-41300		Washer DIN 9021 3,2 140 HV-A2K PT screw DELTA WN 5451 22x6-A2K	4 4
20	10010-41300		PT screw DELTA WN 5451 22x6-A2K	1
30	10020-23000		Washer DIN 9021 3,2 140 HV-A2K	1
40	40091-16800		Aventa air filter kit, 2 pcs.	1
50	40091-80100		Set of panels brown	1
	40091-80200		Set of panels grey	1
60	40091-80300		Set of light cond. Cpl.	1
70	10010-15200		Cyl screw ISO 4762 M6x12-8.8-A2F-MK-S	1
80	40091-33000		Adapter 12 V	1

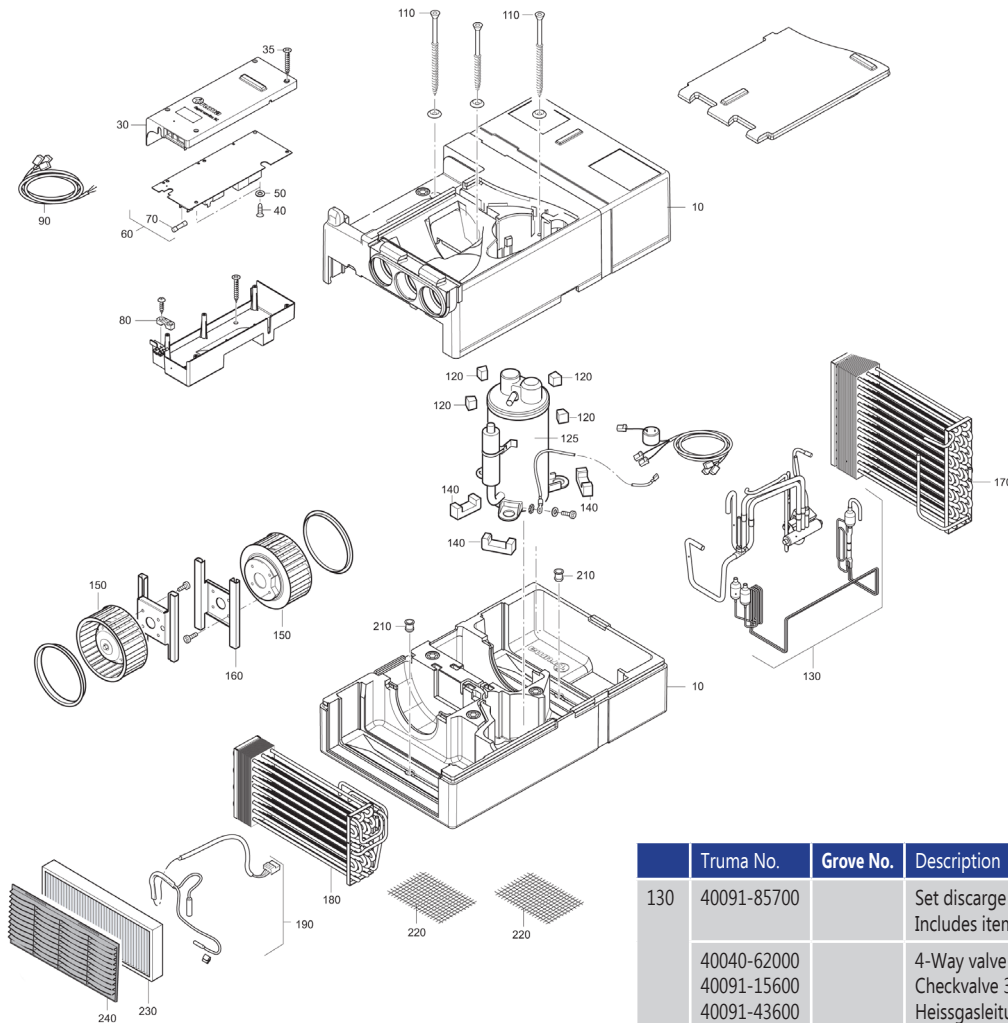
Saphire Compact

Truma



	Truma No.	Grove No.	Description	Qty		Truma No.	Grove No.	Description	Qty
10	40090-00030		Case Saphir compact black cpl. Includes items below	1	130	40090-68100		Tubing set s. Compact	1
	40090-00016		Bottom case black	1	140	40090-61300		Damper u	1
	40090-00018		Top case black	1	150	40040-62800		Fan	1
	40091-18200		Screw-in dowel	7	160	40090-00012		Flat connector kit 6,3 mm, 4 pcs.	1
	40090-00019		Outlet black	1	170	40090-68200		Condensor coil	1
	40090-61300		Damper u	3	180	40090-68300		Saphir compact evaporator	1
	40090-64500		Damper	4	190	40090-63900		Cable harness sensor	1
	40090-00020		Cover black	1	200	40040-19400		Thermostat holder	1
30	40090-68700		Saphir compact electronics cover	1	210	40090-58300		Condensation trap	1
40	40040-25700		ST screw ISO 7049 ST4,2x8-A2K-C-Z	1	220	40040-71400		Floor air intake grille 140 x 242 mm	1
50	40040-18600		Plastic washer	1	230	40090-58100		Saphir particle filter	1
60	40090-62400		Saphir compact electronics	1	240	40090-64600		Saphir fluff filter, blue	1
70	40090-29900		Fine wire fuse 5 AT, H	1					
80	40090-68500		Strain relief	1					
90	40090-63000		Cable	1					
100	40090-10600		Saphir compact electronics housing	1					
110	10010-91400		Cs chipboard screw 5x100-a2k-z	1					
120	40090-64500		Damper	1					

Saphire Comfort RC

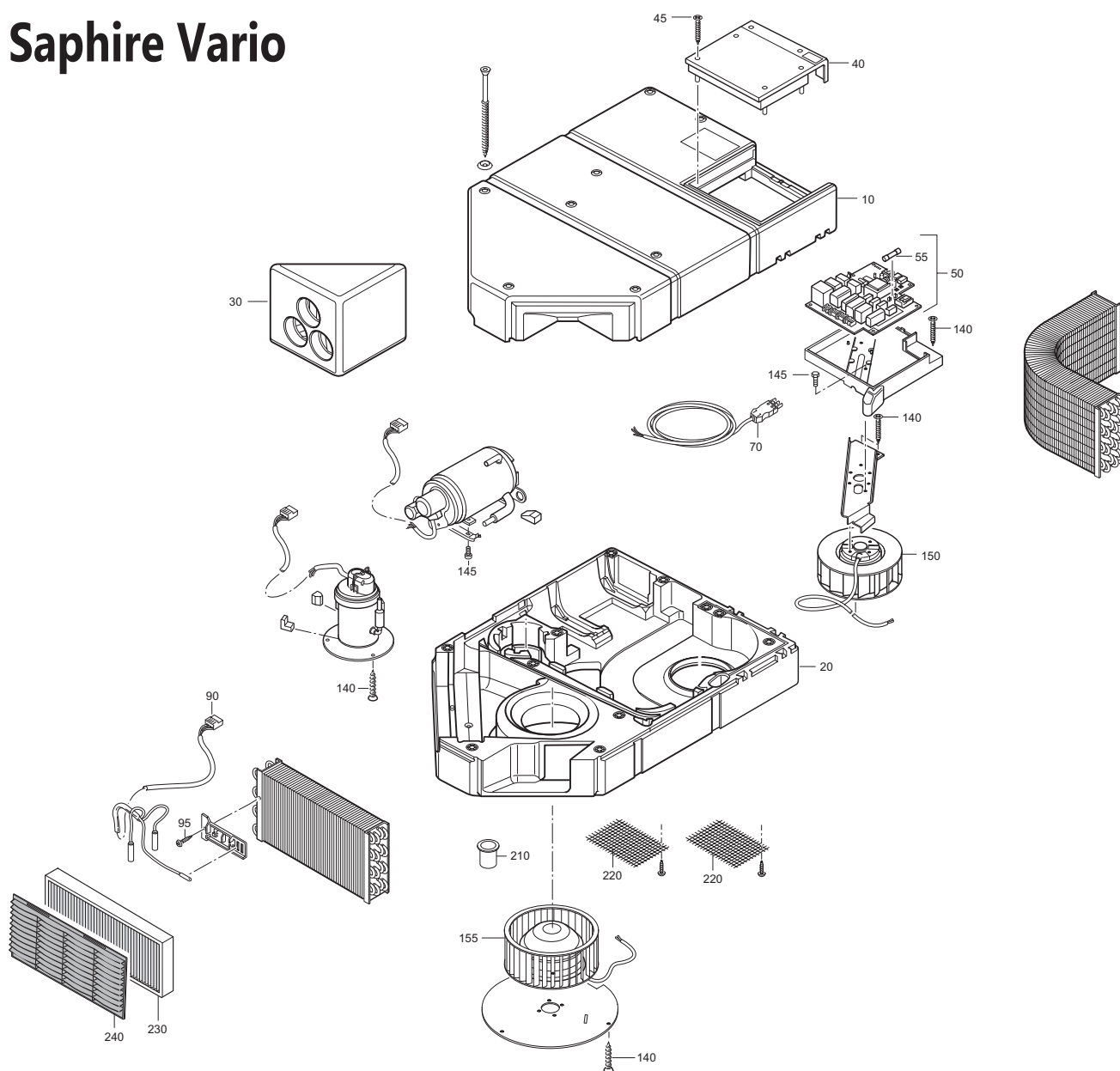


	Truma No.	Grove No.	Description	Qty
10	40090-00031		Case saphir comfort rc black cpl. Includes items below	1
	40090-00022		Bottom case black cpl.	1
	40090-00024		Top case black	1
	40090-00025		Outlet black	1
	40090-00026		Cover black	1
	40091-18200		Screw-in dowel	7
	40090-61300		Damper u	3
	40091-46900		Damper	4
	40091-10400		Condensation trap	2
	30	40091-85400		Saphir comfort rc electronics cover
40090-63800			Elektronikdeck. Blau	1
40091-51100			Bedruckung e-deckel	1
35	10010-68400		Ph chipboard screw 4x20-a2k-z	1
40	40040-25700		St screw iso 7049 st4,2x8-a2k-c-z	1
50	40040-18600		Plastic washer	1
60	40091-85500		Saphir comfort rc electronics Includes item below	1
	40091-43300		Steuerplatine e8	1
70	40091-81500		Fine wire fuse 6.3 At, h	1
80	40090-68500		Strain relief	1
90	40090-63000		Cable	1
110	10010-91400		Cs chipboard screw 5x100-a2k-z	1
120	40091-46900		Damper	1
125	40040-47300		Saphir comfort (rc) compressor	1

	Truma No.	Grove No.	Description	Qty
130	40091-85700		Set discharge tube s Includes items below	1
	40040-62000		4-Way valve assembly	1
	40091-15600		Checkvalve 3/8x6/8	1
	40091-43600		Heissgasleitung e8	1
	40091-51500		Strainer 6,5x2,55 i	2
	40091-43800		Hochdruckleitung e8	1
	40091-51600		Strainer 7ax6,5i	1
	40091-43900		Saugleitung wt e8	1
	40091-53700		Saugleitung wt ventil e8	1
	40091-44000		Suction line compressor e8	1
40091-53800		Saugleitung kompr. Ventil	1	
140	40090-61300		Damper u	1
150	40090-51400		Fan wheel 58 cm	1
160	40090-51500		Support for radial fan	1
170	40091-86100		Condensor coil, Includes item below	1
	40091-00016		Copper "tube premium"	
180	40091-86200		Saphir comfort rc evaporator Includes item below	1
	40091-00016		Copper "tube premium"	
190	40091-86300		Cable harness sensor Includes items below	1
	40091-48900		Temperaturschalter	1
	40091-42500		Holder	1
	40091-42600		Schr. M3x6 linsensenk	1
	40091-42700		Scheibe 3,2	1
	40091-42800		Mutter m3	1
205	40091-10400		Condensation trap	1
210	40090-58300		Condensation trap	1
220	40040-71400		Floor air intake grille 140 x 242 mm	1
230	40090-58100		Saphir particle filter	1
240	40090-64600		Saphir fluff filter, blue	1

Saphire Vario

Truma



	Truma No.	Grove No.	Description	Qty		Truma No.	Grove No.	Description	Qty
10	40090-67500		Saphir vario top case, blue	1	140	10010-90600		CS chipboard screw 4x25-A2K-T15	1
20	40090-38200		Saphir vario bottom case	1	145	10010-90800		Screw DIN 7500-DE M6x10-A2K	1
30	40090-29600		Saphir vario outlet	1	150	40090-80700		FAN CONDENSOR COIL	1
40	40090-29700		Saphir vario electronics cover	1	155	40090-80600		FAN EVAPORATOR COIL	1
45	10010-90400		PT screw WN 1452 K40x30-A2K	1	210	40090-58300		Condensation trap	1
50	40090-89500		Saphir vario electronics	1	220	40090-87000		Floor air intake grille 170 x 280 mm	1
55	40090-29900		Fine wire fuse 5 AT, H	1	230	40090-58100		Saphir particle filter	1
70	40090-85500		CABLE WITH PLUG	1	240	40090-64600		Saphir fluff filter, blue	1
90	40090-84400		Cable harness sensor	1					
95	10010-73800		ST screw ISO 14585 ST3,5x9,5-A2K-C	1					