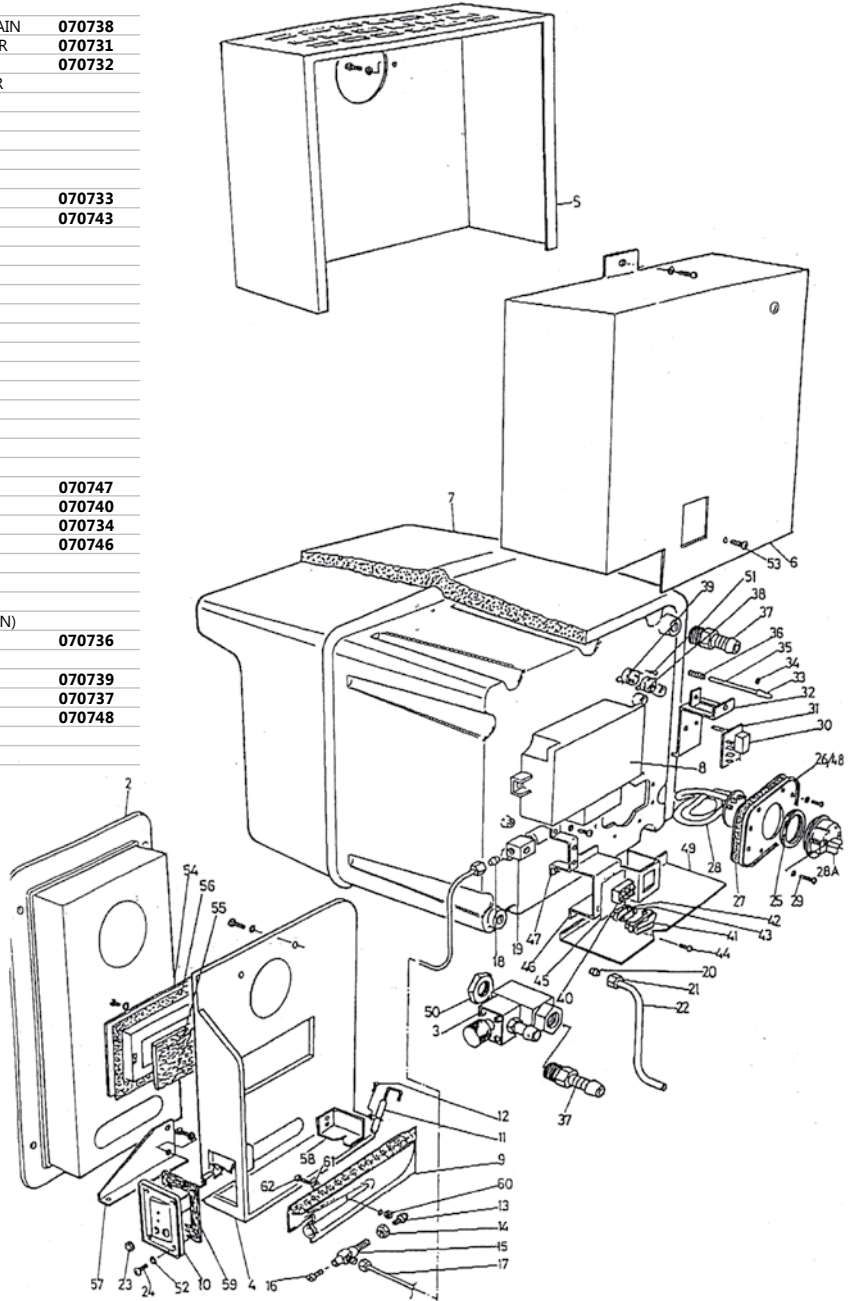


Malaga Grove No. 070741

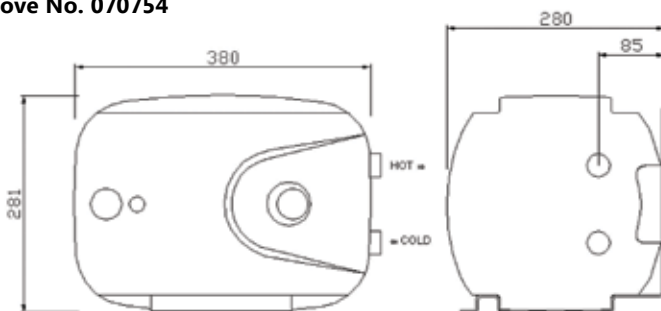
REF NO	DRG NO	DESCRIPTION	GROVE
504		CONTAINER FRONT HALF OF TANK PAINTED	
506		CONTAINER GASKET	
507		CONTAINER STAINLESS STEEL	
508		M5 X 20 SOCKET CAP HEAD SCREW	
509		10MM O/D X 5MM HARD RED FIBRE WASHER	
510		CONTAINER REAR HALF OF TANK (COMBUSTION END) PAINTED	
513		10MM DIAMETER COPPER DIP TUBE	
517		NYLON THREADED TANK CONNECTOR	
519-542	3	BRASS VALVE PR/RELIEF NON RETURN/DRAIN	070738
546	28	230V/750W ELEMENT WITH STEAM SENSOR	070731
558	27	ELEMENT GASKET	070732
561/563	4	AIR DUCT/FLUE DIE CASTING WITH SPACER PLATE AND CERAMIC INSULATION	
566	58	BURNER END BRACKET	
573		BURNER SUPPORT BRACKET	
575		BURNER STEADY	
577	23	SEMI BLIND PVC GROMMET	
578	9	BURNER	070733
579	11	ELECTRODE INCLUDING H.T LEAD	070743
582	15	INJECTOR ELBOW	
584	14	1/4 BSP LOCKNUT	
589		SOLENOID MOUNTING BRACKET	
593		PRESSURE TEST SCREW STANDARD	
594		8MM DIAMETER GAS INLET PIPE	
596/597		NUT AND OLIVE FOR ABOVE	
598-600	17	BURNER PIPE WITH NUT AND OLIVE	
602	59	BURNER GASKET	
603	57	FRONT FOOT	
605		TERMINAL BLOCK BRACKET	
606		TERMINAL BLOCK 3 WAY	
609		TERMINAL BLOCK INSULATION	
611		CABLE CLAMP	
615	39	TEMPERATURE CONTROL THERMOSTAT	070747
619		OVERHEAT	070740
625	8	MALAGA E CONTROL 12V & 240V ***	070734
626	19	SOLENOID VALVE	070746
633		REAR FOOT	
636	5	REAR FOOT (FLUE GAP)	
639	6	CONTROL COVER PAINTED	
653	7	EPS MOULDING (POLYSTYRENE INSULATION)	
656/659	2	FLUE TERMINAL COMPLETE	070736
661/662			
700		MALAGA CONTROL 12V (GAS ONLY)	070739
765	40	WIRING LOOM WITH SWITCH PANEL	070737
		MK2 - MK3 PCB CONVERSION KIT	070748

*** PART NUMBER 070735 CONVERSION KIT MAY BE REQUIRED IF UNIT WAS PRODUCED PRIOR TO 1996.



10 litre storage heater

Grove No. 070754



Technical

Rated voltage: 220v
 Rated power: 900w
 Rated frequency: 50HZ/60HZ
 Rated current: 4.1A
 Rated pressure: 0.8Ma (116psi)

Min start-up pressure: 0.05MPa (7psi)
 Rated water temperature: 70°C
 Fitted socket: 250V, 16A
 Heating efficiency: >90%
 5 year tank guarantee

Mounting bracket has range of securing options and can be screwed to the wall or floor. Supplied water hose connectors give options for 12mm push fit female fitting or adapter to 12mm barbed hose connector.



ECONOMY



The chart below reflects the consumption of gas if the heater was running continuously. In reality, both heaters have similar very high efficiency ratings, so the overall gas consumption will be about the same because the HS2800 will be running for a shorter period of time before the thermostat switches it off.

	HS2000	HS2800
Average consumption	142 grams/hour	225 grams/hour
3.9kg propane cylinder	27.5 hours	17.5 hours
4.5kg butane	31.7 hours	20.0 hours
13kg propane	91.5 hours	58.0 hours
15kg butane	105.6 hours	67.0 hours
19kg butane	133.8 hours	84.5 hours
47kg butane	331.0 hours	209.0 hours
904 Camping gaz (1.81kg)	12.75 hours	8.0 hours
907 Camping gaz (2.72kg)	19.0 hours	12.0 hours

TECHNICAL SPECIFICATIONS




HS2000

Grove No. 090016

Heat Input:	2.1KW	
Heat Output:	1.9KW	
Voltage:	12V or 24V versions	
Current Consumption:	1.4A continuous running	
Air Throughput:	60 C.F.M.	
Fuel:	Butane or Propane Gas	

HS2800

Grove No. 090028

Heat Input:	3.0KW	
Heat Output:	2.8KW	
Voltage:	12V or 24V versions	
Current Consumption:	1.9A continuous running	
Air Throughput:	85 C.F.M.	
Fuel:	Butane or Propane Gas	

PropeX reserve the right to change or modify features and specifications without notice.

Both the HS2000 and HS2800 are supplied with complete fitting kits to suit either vehicle or marine applications. Individual parts available on request



Reducer for air outlet
60mm
090017



Hot air outlet
090019



Hot air ducting Y piece



Control panel



Hot air ducting
090018



Hot air outlets with
open/close



Marine through
hull fitting



APK marine hot air
ducting



Flexible stainless steel
flue pipe